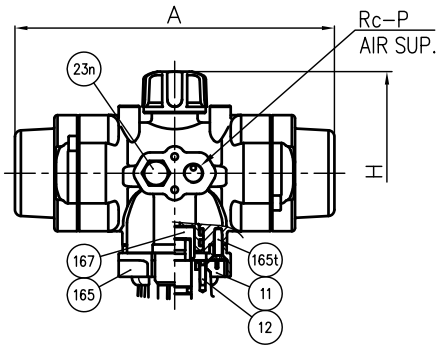


Actuator Shape (AR040)



DIMENSIONS TABLE

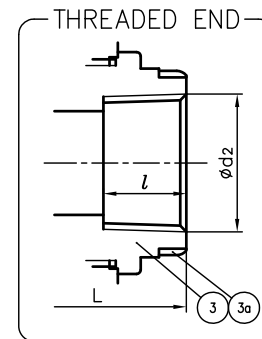
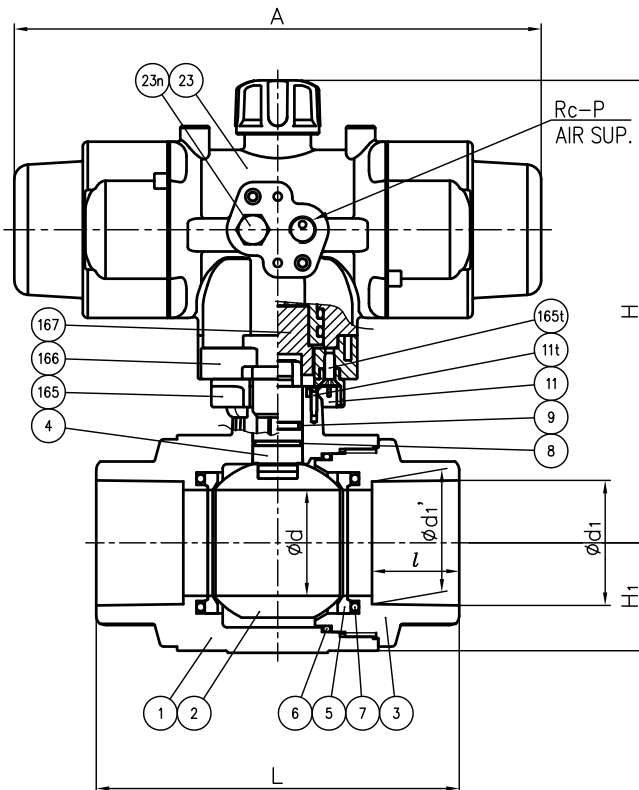
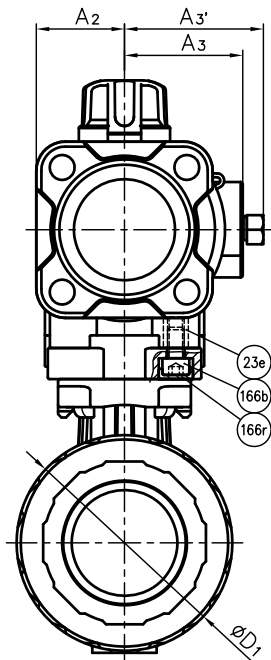
Unit: inch

Nominal Size	SOCKET END						THREADED END						ACTUATOR TYPE						
	ASTM SCH40												Air to open		Air to shut				
	d	d ₁	d ₁ '	l	L		d ₂	l	L	D ₁	H	H ₁	A	A ₂	A ₃	A ₃ '	P		
3/8"	13mm	0.59	0.687	0.671	0.59	2.72	3/8 - 18 NPT	0.59	2.72	1.57	4.86	0.81	6.06	1.10	1.50	1.81	1/8	AR040NC20NN	AR040NO20NN
1/2"	15	0.59	0.848	0.836	0.69	3.11	1/2 - 14 NPT	0.59	3.11	1.57	4.86	0.81	6.06	1.10	1.50	1.81	1/8	AR040NC20NN	AR040NO20NN
3/4"	20	0.79	1.058	1.046	0.72	3.70	3/4 - 14 NPT	0.67	3.70	1.93	5.14	1.00	6.06	1.10	1.50	1.81	1/8	AR040NC20NN	AR040NO20NN
1"	25	0.98	1.325	1.310	0.87	4.25	1 - 11 1/2 NPT	0.79	4.25	2.28	5.41	1.18	6.06	1.10	1.50	1.81	1/8	AR040NC20NN	AR040NO20NN
1 1/4"	32	1.22	1.670	1.655	0.94	4.76	1 1/4 - 11 1/2 NPT	0.87	4.76	2.68	6.65	1.38	7.64	1.38	1.93	2.32	1/4	AR050NC30NN	AR050NO30NN
1 1/2"	40	1.57	1.912	1.894	1.09	5.75	1 1/2 - 11 1/2 NPT	0.98	5.75	3.25	8.33	1.65	10.00	1.67	2.24	2.64	1/4	AR063NC40CN	AR063NO40CN
2"	50	2.01	2.387	2.369	1.16	6.89	2 - 11 1/2 NPT	1.10	6.89	4.09	8.78	2.09	10.00	1.67	2.24	2.64	1/4	AR063NC40CN	AR063NO40CN

NOTE.

- Operation of permission pressure: 0.4~0.7MPaG
 Air to open: Valve open : Supply
 Valve shut : Exhaust
 Air to shut: Valve open : Exhaust
 Valve shut : Supply
- The shape and appearance of assembly differ a little with nominal size compared to this drawing.

SOCKET END



3a	RING	2	STAINLESS STEEL (SUS304)	Used for C-PVC Body, Threaded End: 3/8"~1"
167	SHAFT ADAPTER	1	COPPER ALLOY (C3604)	
166r	CAP (No.166)	4	EPDM	
166b	BOLT (No.166)	4	STAINLESS STEEL (SUS304)	Used for Actuator Type AR063
166	CONNECTOR PLATE	1	PPG	
165t	TAPPING SCREW (No.165)	2	STAINLESS STEEL (SUS304)	
165	BASE PLATE	1	PPG	
23n	NIPPLE	1	PPG	
23e	ENSAT (No.23)	4	COPPER ALLOY (C3604)	Used for Actuator Type AR063
23	ACTUATOR	1	PPG etc.	
11t	TAPPING SCREW (No.11)	4	STAINLESS STEEL (SUS304)	
11	ISO PLATE	1	ABS	
9	O-RING (E)	1	□EPDM	
8	O-RING (D)	1	□FKM	
7	O-RING (C)	2	□Others	
6	O-RING (B)	1	()	
5	SEAT	2	PTFE	
4	STEM	1		
3	END CONNECTOR	1	□PVC	
2	BALL	1	□C-PVC	
1	BODY	1		
No.	DESCRIPTION	QTY.	MATERIAL	REMARKS

ITEM	COMPACT BALL VALVE (TYPE27) PNEUMATIC ACTUATED MODEL TYPE AR ASS'Y □ AIR TO OPEN, □ AIR TO SHUT ANSI: □SOCKET END, □THREADED END 3/8" (13mm) ~ 2" (50mm)			
DRAWN	M.Iwakiri	DATE	SCALE	
CHECKED	H.Kawano	JUL.17.2018		
APPROVED	K.Koushou	DRAWING No.		
		27-AA001AE		
SPECIAL ORDER No.	ASAHI YUKIZAI CORPORATION			