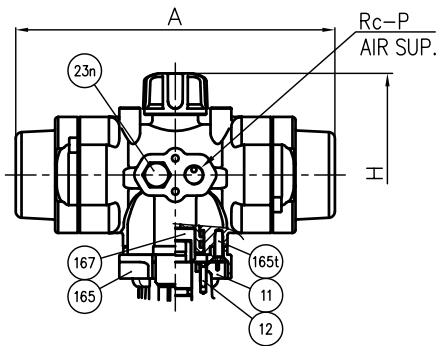


Actuator Shape (AR040)



DIMENSIONS TABLE

Unit: mm

Nominal Size	SOCKET END					THREADED END			ACTUATOR TYPE										
	ASTM SCH40					d ₂	l	L	D ₁	H	H ₁	A	A ₂	A ₃	A _{3'}	P	Air to open	Air to shut	
	d	d ₁	d _{1'}	l	L														
13mm	3/8"	15	17.45	17.04	15.1	69	3/8 - 18 NPT	15	69	40	123.5	20.5	154	28	38	46	1/8	ARO40NC20NN	ARO40NO20NN
15	1/2"	15	21.54	21.23	17.5	79	1/2 - 14 NPT	15	79	40	123.5	20.5	154	28	38	46	1/8	ARO40NC20NN	ARO40NO20NN
20	3/4"	20	26.87	26.57	18.3	94	3/4 - 14 NPT	17	94	49	130.5	25.5	154	28	38	46	1/8	ARO40NC20NN	ARO40NO20NN
25	1"	25	33.65	33.27	22.2	108	1 - 11 1/2 NPT	20	108	58	137.5	30	154	28	38	46	1/8	ARO40NC20NN	ARO40NO20NN
32	1 1/4"	31	42.42	42.04	23.8	121	1 1/4 - 11 1/2 NPT	22	121	68	169	35	194	35	49	59	1/4	ARO50NC30NN	ARO50NO30NN
40	1 1/2"	40	48.56	48.11	27.8	146	1 1/2 - 11 1/2 NPT	25	146	82.5	211.5	42	254	42.5	57	67	1/4	ARO63NC40CN	ARO63NO40CN
50	2"	51	60.63	60.17	29.4	175	2 - 11 1/2 NPT	28	175	104	223	53	254	42.5	57	67	1/4	ARO63NC40CN	ARO63NO40CN

NOTE.

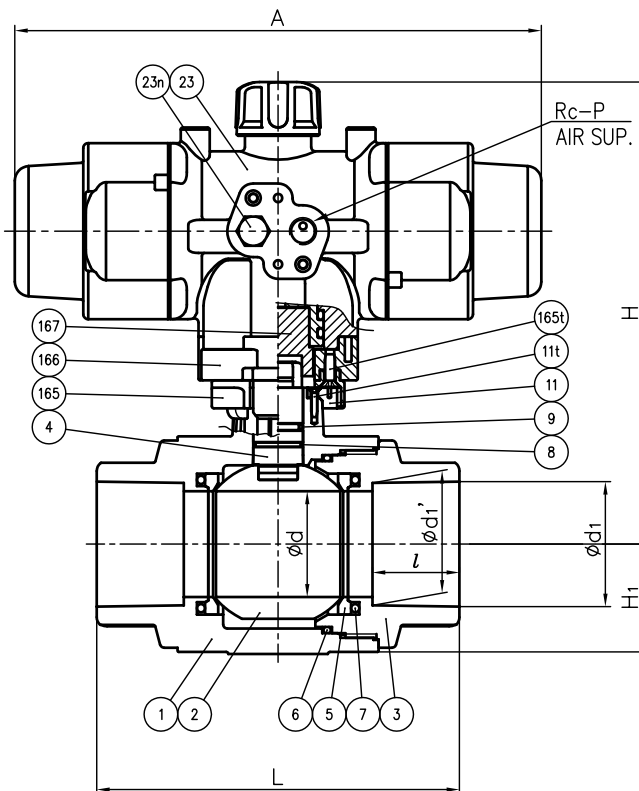
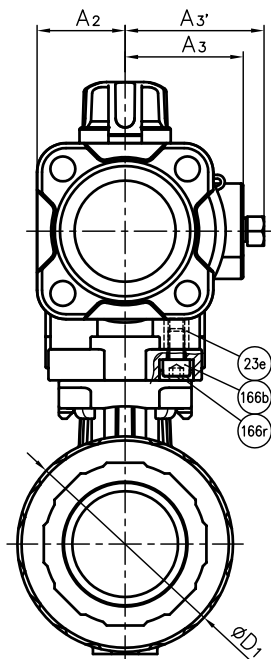
1. Operation of permission pressure: 0.4~0.7MPaG

Air to open: Valve open : Supply
Valve shut : Exhaust

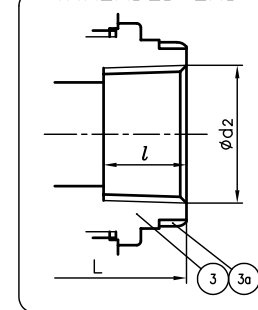
Air to shut: Valve open : Exhaust
Valve shut : Supply

2. The shape and appearance of assembly differ a little with nominal size compared to this drawing.

SOCKET END



THREADED END



3a	RING	2	STAINLESS STEEL (SUS304)	Used for C-PVC Body, Threaded End: 13-25 ^{mm}
167	SHAFT ADAPTER	1	COPPER ALLOY (C3604)	
166r	CAP (No.166)	4	EPDM	
166b	BOLT (No.166)	4	STAINLESS STEEL (SUS304)	Used for Actuator Type AR063
166	CONNECTOR PLATE	1	PPG	
165t	TAPPING SCREW (No.165)	2	STAINLESS STEEL (SUS304)	
165	BASE PLATE	1	PPG	
23n	NIPPLE	1	PPG	
23e	ENSAT (No.23)	4	COPPER ALLOY (C3604)	Used for Actuator Type AR063
23	ACTUATOR	1	PPG etc.	
11t	TAPPING SCREW (No.11)	4	STAINLESS STEEL (SUS304)	
11	ISO PLATE	1	ABS	
9	O-RING (E)	1	□EPDM	
8	O-RING (D)	1	□FKM	
7	O-RING (C)	2	□Others	
6	O-RING (B)	1	()	
5	SEAT	2	PTFE	
4	STEM	1		
3	END CONNECTOR	1	□PVC	
2	BALL	1	□C-PVC	
1	BODY	1		
No.	DESCRIPTION	QTY.	MATERIAL	REMARKS

ITEM	COMPACT BALL VALVE (TYPE27) PNEUMATIC ACTUATED MODEL TYPE AR ASSY □ AIR TO OPEN, □ AIR TO SHUT ANSI: □SOCKET END, □THREADED END 13mm (3/8") ~ 50mm (2")		
DRAWN	E.Ozaki	DATE	SCALE
CHECKED	H.Kawano	JUN.04.2019	~
APPROVED	K.Koushou	DRAWING No.	
		27-AA001AE _m	
SPECIAL ORDER No.	ASAHI YUKIZAI CORPORATION		