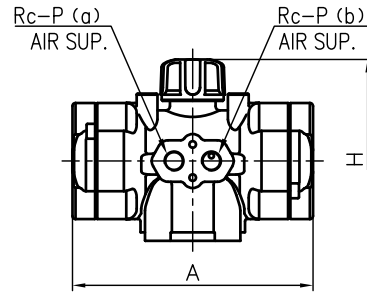


Actuator Shape (AR032,AR040)



DIMENSIONS TABLE

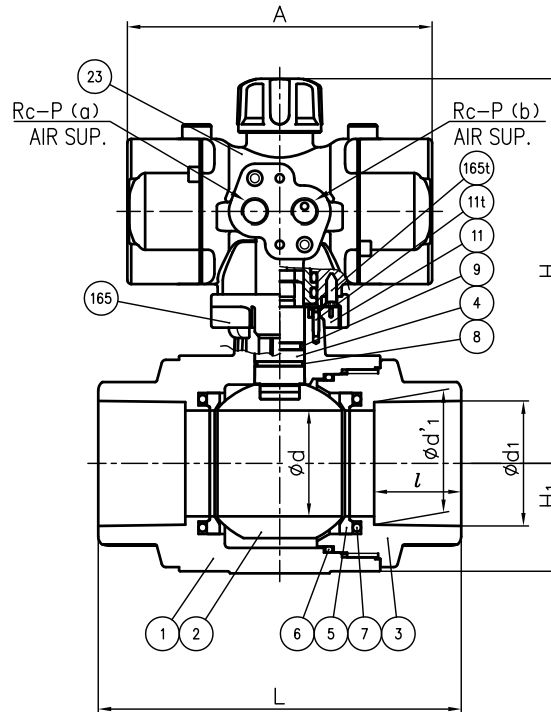
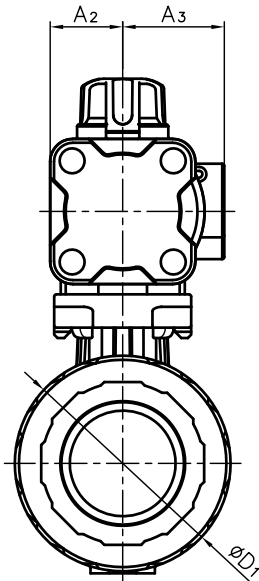
Unit: inch

Nominal Size	SOCKET END						THREADED END						ACTUATOR TYPE				
	ASTM SCH40																
	d	d <sub>1</sub>	d <sub>1</sub> '	l	L		d <sub>2</sub>	l	L	D <sub>1</sub>	H	H <sub>1</sub>		A	A <sub>2</sub>	A <sub>3</sub>	P
3/8"	13mm	0.59	0.687	0.671	0.59	2.72	3/8 - 18 NPT	0.59	2.72	1.57	4.27	0.81	3.70	0.89	1.26	1/8	AR032DA10NN
1/2"	15	0.59	0.848	0.836	0.69	3.11	1/2 - 14 NPT	0.59	3.11	1.57	4.27	0.81	3.70	0.89	1.26	1/8	AR032DA10NN
3/4"	20	0.79	1.058	1.046	0.72	3.70	3/4 - 14 NPT	0.67	3.70	1.93	4.55	1.00	3.70	0.89	1.26	1/8	AR032DA11NN
1"	25	0.98	1.325	1.310	0.87	4.25	1 - 11 1/2 NPT	0.79	4.25	2.28	4.82	1.18	3.70	0.89	1.26	1/8	AR032DA11NN
1 1/4"	32	1.22	1.670	1.655	0.94	4.76	1 1/4 - 11 1/2 NPT	0.87	4.76	2.68	5.63	1.38	4.57	1.10	1.50	1/8	AR040DA20NN
1 1/2"	40	1.57	1.912	1.894	1.09	5.75	1 1/2 - 11 1/2 NPT	0.98	5.75	3.25	6.85	1.65	5.79	1.38	1.93	1/4	AR050DA30NN
2"	50	2.01	2.387	2.369	1.16	6.89	2 - 11 1/2 NPT	1.10	6.89	4.09	7.30	2.09	5.79	1.38	1.93	1/4	AR050DA30NN

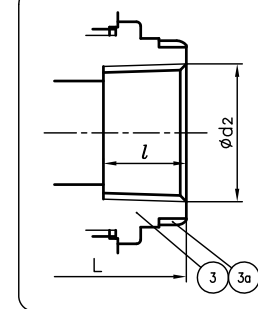
NOTE.

- Operation of permission pressure: 0.4~0.7MPaG  
Valve open : (a) Exhaust, (b) Supply  
Valve shut : (a) Supply, (b) Exhaust
- The shape and appearance of assembly differ a little with nominal size compared to this drawing.

SOCKET END



THREADED END



No.	DESCRIPTION	QTY.	MATERIAL	REMARKS
3a	RING	2	STAINLESS STEEL (SUS304)	Used for C-PVC Body, Threaded End: 3/8"~1"
165t	TAPPING SCREW (No.165)	2	STAINLESS STEEL (SUS304)	
165	BASE PLATE	1	PPG	
23	ACTUATOR	1	PPG etc.	
11t	TAPPING SCREW (No.11)	4	STAINLESS STEEL (SUS304)	
11	ISO PLATE	1	ABS	
9	O-RING (E)	1	□EPDM	
8	O-RING (D)	1	□FKM	
7	O-RING (C)	2	□Others	
6	O-RING (B)	1	( )	
5	SEAT	2	PTFE	
4	STEM	1		
3	END CONNECTOR	1	□PVC	
2	BALL	1	□C-PVC	
1	BODY	1		

ITEM	COMPACT BALL VALVE (TYPE27) PNEUMATIC ACTUATED MODEL TYPE AR ASSY DOUBLE ACTING ANSI: □SOCKET END, □THREADED END 3/8" (13mm) ~ 2" (50mm)		
DRAWN	M.Iwakiri	DATE	SCALE
CHECKED	H.Kawano	JUL.17.2018	~
APPROVED	K.Koushou	DRAWING No. 27-AA002AE	
SPECIAL ORDER No.	ASAHI YUKIZAI CORPORATION		