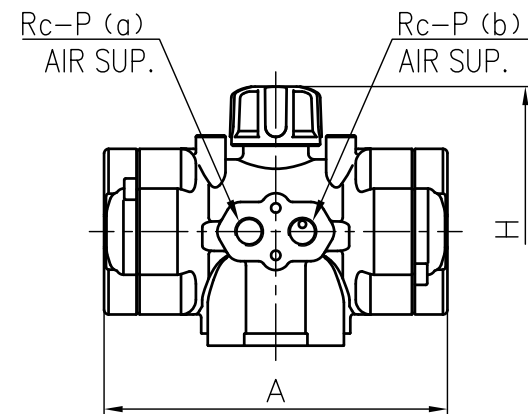


Actuator Shape (AR032,AR040)



DIMENSIONS TABLE

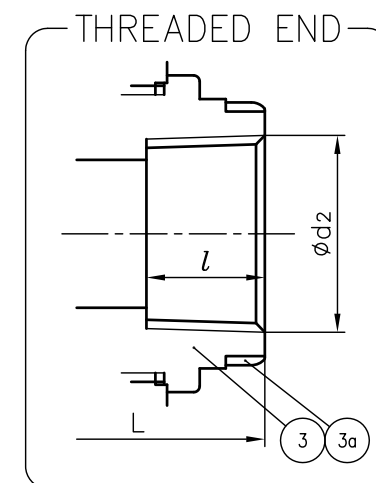
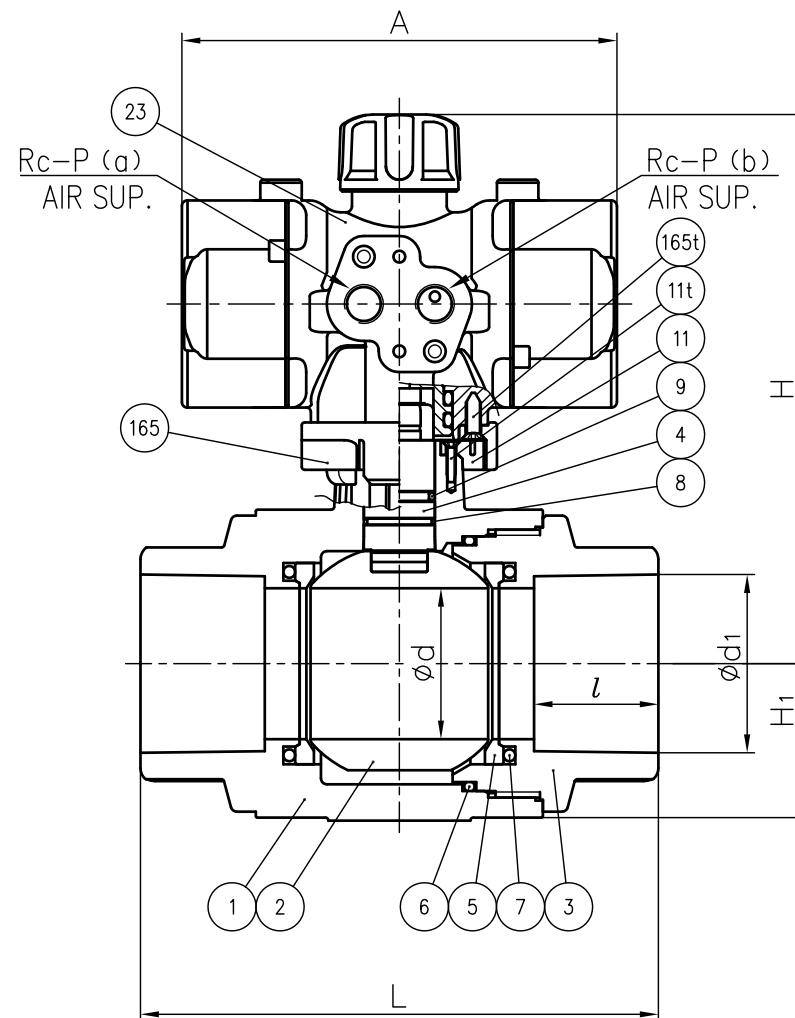
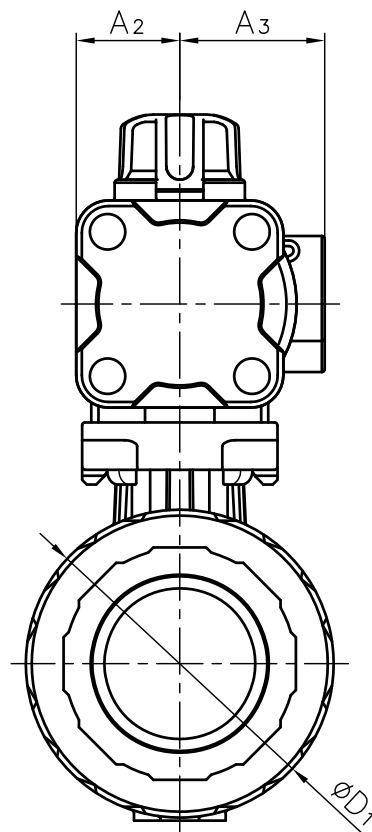
Unit: mm

| Nominal Size | d | SOCKET END | | | THREADED END | | | D1 | H | H1 | A | A2 | A3 | P | ACTUATOR TYPE | |
|--------------|--------|------------|----|----|--------------|----------|----|-----|------|-------|------|-----|------|----|---------------|-------------|
| | | d1 | l | L | d2 | l | L | | | | | | | | | |
| 13mm | 3/8" | 15 | 16 | 14 | 69 | Rp 3/8 | 15 | 69 | 40 | 108.5 | 20.5 | 94 | 22.5 | 32 | 1/8 | AR032DA10NN |
| 15 | 1/2" | 15 | 20 | 16 | 79 | Rp 1/2 | 15 | 79 | 40 | 108.5 | 20.5 | 94 | 22.5 | 32 | 1/8 | AR032DA10NN |
| 20 | 3/4" | 20 | 25 | 19 | 94 | Rp 3/4 | 17 | 94 | 49 | 115.5 | 25.5 | 94 | 22.5 | 32 | 1/8 | AR032DA11NN |
| 25 | 1" | 25 | 32 | 22 | 108 | Rp 1 | 20 | 108 | 58 | 122.5 | 30 | 94 | 22.5 | 32 | 1/8 | AR032DA11NN |
| 32 | 1 1/4" | 31 | 40 | 26 | 121 | Rp 1 1/4 | 22 | 121 | 68 | 143 | 35 | 116 | 28 | 38 | 1/8 | AR040DA20NN |
| 40 | 1 1/2" | 40 | 50 | 31 | 146 | Rp 1 1/2 | 25 | 146 | 82.5 | 174 | 42 | 147 | 35 | 49 | 1/4 | AR050DA30NN |
| 50 | 2" | 51 | 63 | 38 | 175 | Rp 2 | 28 | 175 | 104 | 185.5 | 53 | 147 | 35 | 49 | 1/4 | AR050DA30NN |

NOTE.

- Operation of permission pressure : 0.4~0.7MPa G
 Valve open : (a) Exhaust, (b) Supply
 Valve shut : (a) Supply, (b) Exhaust
- The shape and appearance of assembly differ a little with nominal size compared to this drawing.

SOCKET END



| | | | | |
|------|------------------------|------|--------------------------|--|
| 3a | RING | 2 | STAINLESS STEEL (SUS304) | Used for C-PVC Body, Threaded End: 3/8"~1" |
| 165t | TAPPING SCREW (No.165) | 2 | STAINLESS STEEL (SUS304) | |
| 165 | BASE PLATE | 1 | PPG | |
| 23 | ACTUATOR | 1 | PPG etc. | |
| 11t | TAPPING SCREW (No.11) | 4 | STAINLESS STEEL (SUS304) | |
| 11 | ISO PLATE | 1 | ABS | |
| 9 | O-RING (E) | 1 | □EPDM | |
| 8 | O-RING (D) | 1 | □FKM | |
| 7 | O-RING (C) | 2 | □Others | |
| 6 | O-RING (B) | 1 | () | |
| 5 | SEAT | 2 | PTFE | |
| 4 | STEM | 1 | | |
| 3 | END CONNECTOR | 1 | □PVC | |
| 2 | BALL | 1 | □C-PVC | |
| 1 | BODY | 1 | | |
| No. | DESCRIPTION | QTY. | MATERIAL | REMARKS |

| | | | |
|---------------------------|---|-------------|-------|
| ITEM | COMPACT BALL VALVE (TYPE27) PNEUMATIC ACTUATED MODEL TYPE AR ASS'Y DOUBLE ACTING DIN: □SOCKET END, □THREADED END 13mm (3/8") ~ 50mm (2") | | |
| DRAWN | E.Emmei | DATE | SCALE |
| CHECKED | H.Kawano | JUN.25.2018 | ~ |
| APPROVED | K.Koushou | DRAWING No. | |
| SPECIAL ORDER No. | | 27-AA002DE | ⚠ |
| ASAHI YUKIZAI CORPORATION | | | |