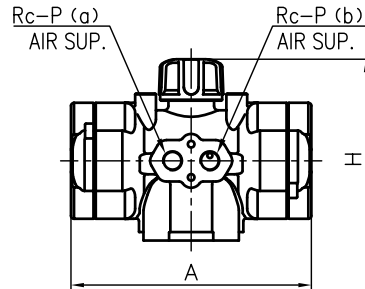


Actuator Shape (AR032,AR040)



DIMENSIONS TABLE

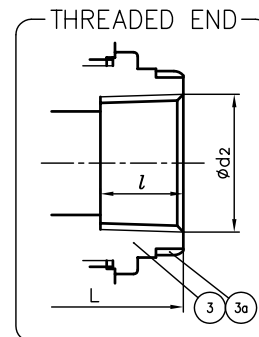
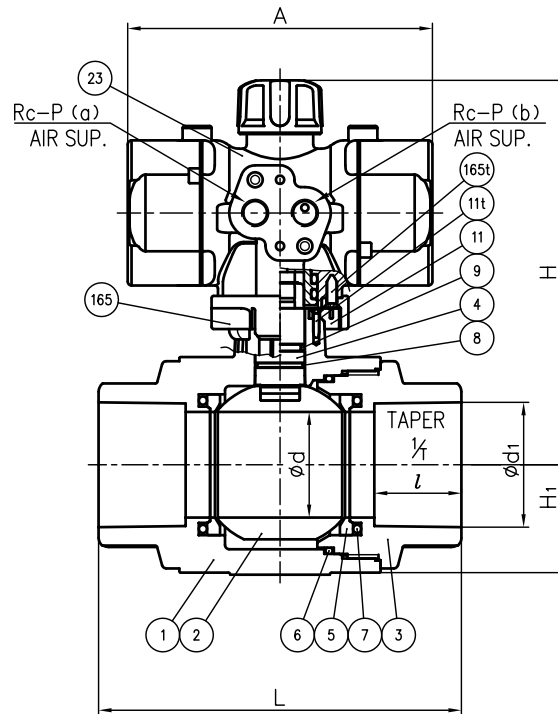
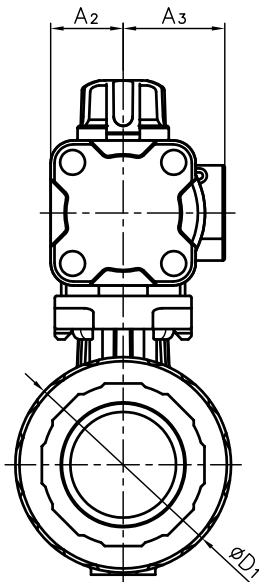
Unit: mm

Nominal Size	d	SOCKET END				THREADED END			D1	H	H1	A	A2	A3	P	ACTUATOR TYPE	
		d1	l	1/T	L	d2	l	L									
13mm	3/8"	15	18.20	17	1/30	69	-	-	40	108.5	20.5	94	22.5	32	1/8	AR032DA10NN	
15	1/2"	15	22.11	20	1/34	79	Rc 1/2	15	69	40	108.5	20.5	94	22.5	32	1/8	AR032DA10NN
20	3/4"	20	26.13	24	1/34	94	Rc 3/4	17	94	49	115.5	25.5	94	22.5	32	1/8	AR032DA11NN
25	1"	25	32.16	27	1/34	108	Rc 1	20	108	58	122.5	30	94	22.5	32	1/8	AR032DA11NN
32	1 1/4"	31	38.19	30	1/34	121	Rc 1 1/4	22	121	68	143	35	116	28	38	1/8	AR040DA20NN
40	1 1/2"	40	48.21	37	1/37	146	Rc 1 1/2	25	146	82.5	174	42	147	35	49	1/4	AR050DA30NN
50	2"	51	60.25	42	1/37	175	Rc 2	28	175	104	185.5	53	147	35	49	1/4	AR050DA30NN

NOTE.

- Operation of permission pressure: 0.4~0.7MPaG
 Valve open : (a) Exhaust, (b) Supply
 Valve shut : (a) Supply, (b) Exhaust
- The shape and appearance of assembly differ a little with nominal size compared to this drawing.

SOCKET END



No.	DESCRIPTION	QTY.	MATERIAL	REMARKS
3a	RING	2	STAINLESS STEEL (SUS304)	Used for C-PVC Body, Threaded End: 15-25mm
165t	TAPPING SCREW (No.165)	2	STAINLESS STEEL (SUS304)	
165	BASE PLATE	1	PPG	
23	ACTUATOR	1	PPG etc.	
11t	TAPPING SCREW (No.11)	4	STAINLESS STEEL (SUS304)	
11	ISO PLATE	1	ABS	
9	O-RING (E)	1	□EPDM	
8	O-RING (D)	1	□FKM	
7	O-RING (C)	2	□Others	
6	O-RING (B)	1	()	
5	SEAT	2	PTFE	
4	STEM	1		
3	END CONNECTOR	1	□PVC	
2	BALL	1	□C-PVC	
1	BODY	1		

ITEM	COMPACT BALL VALVE (TYPE27) PNEUMATIC ACTUATED MODEL TYPE AR ASS'Y DOUBLE ACTING JIS: □SOCKET END, □THREADED END 13mm (3/8") ~ 50mm (2")		
DRAWN	E.Ozaki	DATE	SCALE
CHECKED	H.Kawano	JUN.05.2019	~
APPROVED	K.Koushou	DRAWING No. 27-AA002JE	
SPECIAL ORDER No.	ASAHI YUKIZAI CORPORATION		