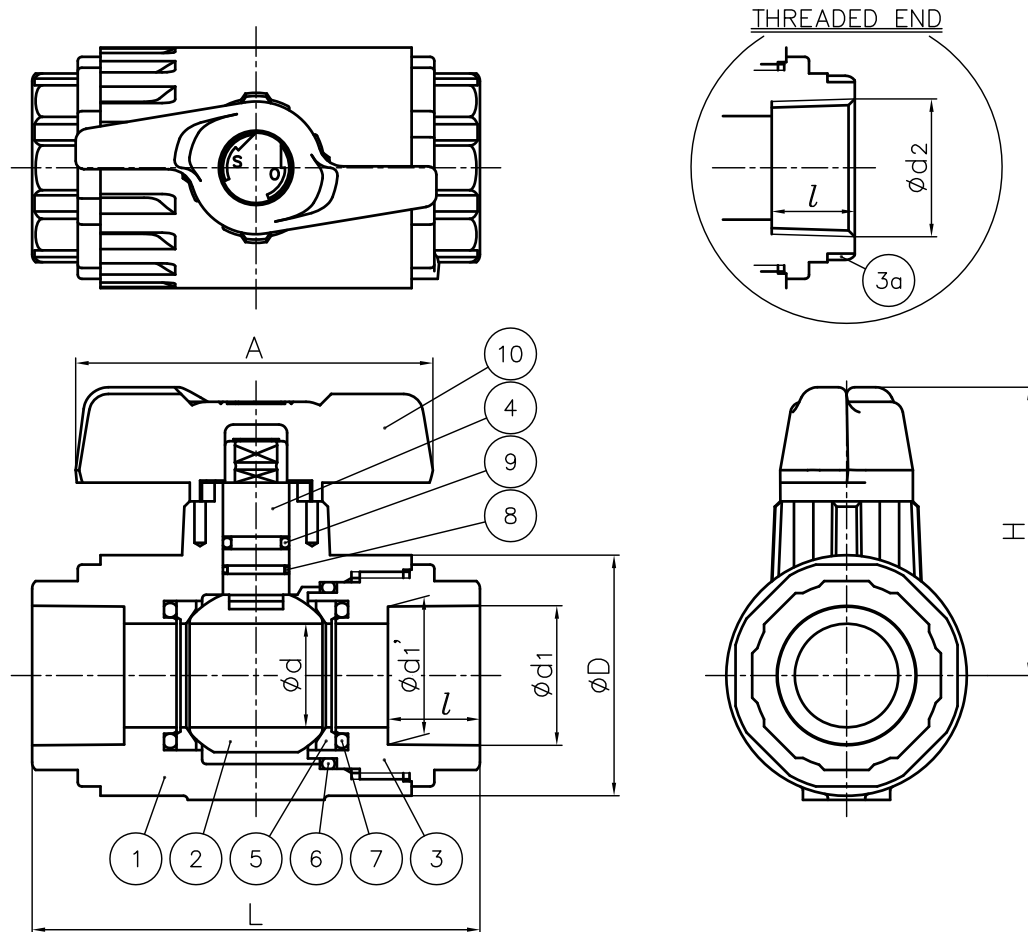


DIMENSIONS TABLE

Unit : inch

Nominal Size	SOCKET END (ASTM SCH40)	SOCKET END (ASTM SCH40)		THREADED END		L	d	A	D	H	
		d1	d1'	l	d2						l
3/8"	13mm	0.687	0.671	0.59	3/8-18 NPT	0.59	2.72	0.59	2.95	1.57	2.07
1/2	15	0.848	0.836	0.69	1/2-14 NPT	0.59	3.11	0.59	2.95	1.57	2.07
3/4	20	1.058	1.046	0.72	3/4-14 NPT	0.67	3.70	0.79	3.43	1.93	2.46
1	25	1.325	1.310	0.87	1-11 1/2 NPT	0.79	4.25	0.98	3.43	2.28	2.74
1 1/4	32	1.670	1.655	0.94	1 1/4-11 1/2 NPT	0.87	4.76	1.22	4.13	2.68	3.21
1 1/2	40	1.912	1.894	1.09	1 1/2-11 1/2 NPT	0.98	5.75	1.57	5.31	3.25	3.78
2	50	2.387	2.369	1.16	2-11 1/2 NPT	1.10	6.89	2.01	5.31	4.09	4.23

NOTE. The shape and appearance of assembly differ a little with nominal size and material compared to this drawing.



No.	DESCRIPTION	QTY.	MATERIAL	REMARKS
3a	RING	2	STAINLESS STEEL (SUS304)	used for C-PVC body, threaded: 3/8"~1"
10	HANDLE	1	ABS	
9	O-RING (E)	1	□EPDM □FKM ()	
8	O-RING (D)	1		
7	O-RING (C)	2		
6	O-RING (B)	1		
5	SEAT	2	PTFE	
4	STEM	1		
3	END CONNECTOR	1	□PVC □C-PVC	
2	BALL	1		
1	BODY	1		

ITEM	COMPACT BALL VALVE TYPE27 ASS'Y ANSI : □SOCKET END, □THREADED END 3/8"(13mm)~2"(50mm)		
DRAWN	M.Iwakiri	DATE	SCALE
CHECKED	H.Kawano	JUL.17.2018	~
APPROVED	K.Koushou	DRAWING No.	
SPECIAL ORDER No.		27-M1001AE	
ASAHI YUKIZAI CORPORATION			