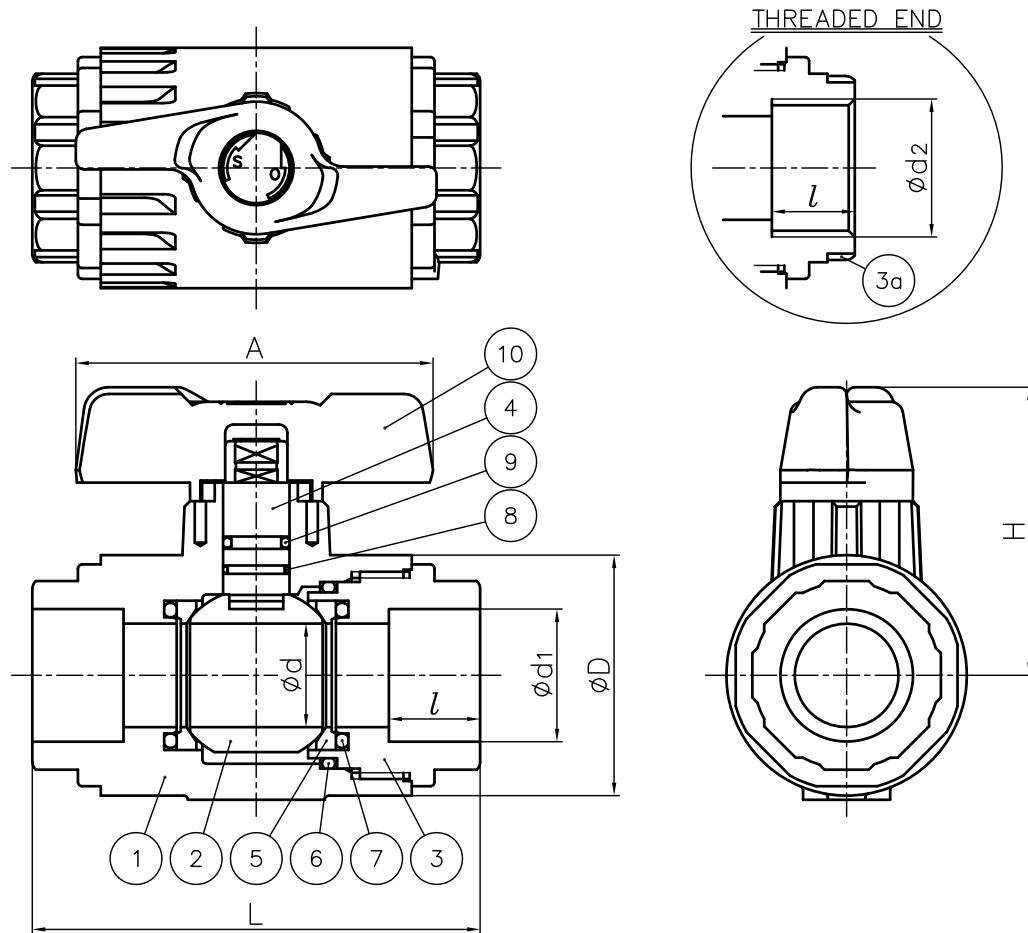


DIMENSIONS TABLE

Unit : mm

Nominal Size	SOCKET END		THREADED END		L	d	A	D	H
	d1	l	d2	l					
13mm $\frac{3}{8}$ "	16	14	Rp $\frac{3}{8}$	15	69	15	75	40	52.5
15 $\frac{1}{2}$ "	20	16	Rp $\frac{1}{2}$	15	79	15	75	40	52.5
20 $\frac{3}{4}$ "	25	19	Rp $\frac{3}{4}$	17	94	20	87	49	62.5
25 1"	32	22	Rp1	20	108	25	87	58	69.5
32 $1\frac{1}{4}$ "	40	26	Rp $1\frac{1}{4}$	22	121	31	105	68	81.5
40 $1\frac{1}{2}$ "	50	31	Rp $1\frac{1}{2}$	25	146	40	135	82.5	96.0
50 2"	63	38	Rp2	28	175	51	135	104	107.5

NOTE. The shape and appearance of assembly differ a little with nominal size and material compared to this drawing.



3a	RING	2	STAINLESS STEEL (SUS304)	used for C-PVC body, threaded: $\frac{3}{8}$ "~1"
10	HANDLE	1	ABS	
9	O-RING (E)	1	□EPDM □FKM (Others)	
8	O-RING (D)	1		
7	O-RING (C)	2		
6	O-RING (B)	1		
5	SEAT	2	PTFE	
4	STEM	1		
3	END CONNECTOR	1	□PVC □C-PVC	
2	BALL	1		
1	BODY	1		
No.	DESCRIPTION	QTY.	MATERIAL	REMARKS

ITEM	COMPACT BALL VALVE TYPE27 ASS'Y DIN : □SOCKET END, □THREADED END 13mm($\frac{3}{8}$ "~50mm(2"))		
DRAWN	Y.Sato	DATE	SCALE
CHECKED	A.Shakagori	NOV.14.2016	~
APPROVED	H.Kouroggi	DRAWING No.	
SPECIAL ORDER No.		27-M1001DE	
ASAHI YUKIZAI CORPORATION			