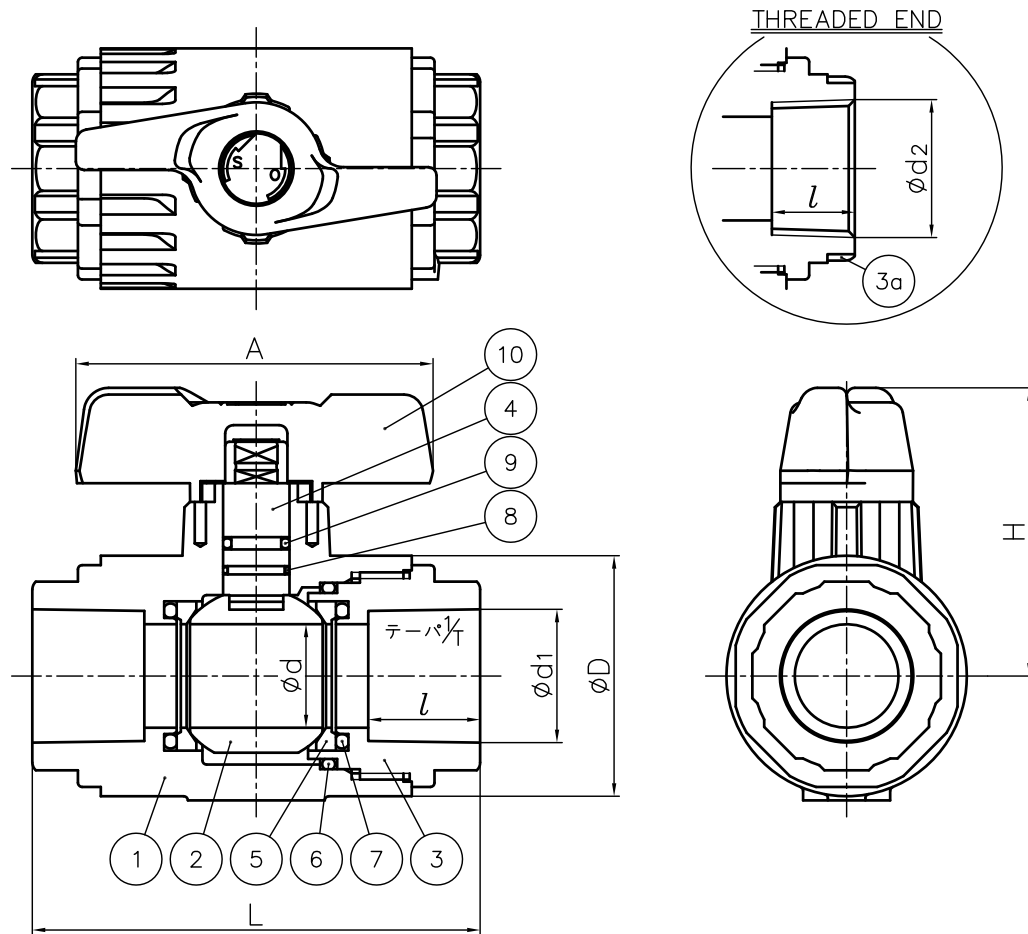


DIMENSIONS TABLE

Unit : mm

Nominal Size	SOCKET END				THREADED END			d	A	D	H
	d1	1/4	l	L	d2	l	L				
13mm 3/8"	18.20	1/30	17	69	-	-	-	15	75	40	52.5
15 1/2	22.11	1/34	20	79	Rc1/2	15	69	15	75	40	52.5
20 3/4	26.13	1/34	24	94	Rc3/4	17	94	20	87	49	62.5
25 1	32.16	1/34	27	108	Rc1	20	108	25	87	58	69.5
32 1 1/4	38.19	1/34	30	121	Rc1 1/4	22	121	31	105	68	81.5
40 1 1/2	48.21	1/37	37	146	Rc1 1/2	25	146	40	135	82.5	96.0
50 2	60.25	1/37	42	175	Rc2	28	175	51	135	104	107.5

NOTE. The shape and appearance of assembly differ a little with nominal size and material compared to this drawing.



3a	RING	2	STAINLESS STEEL (SUS304)	used for C-PVC body, threaded: 3/8"~1"
10	HANDLE	1	ABS	
9	O-RING (E)	1	□EPDM □FKM (Others)	
8	O-RING (D)	1		
7	O-RING (C)	2		
6	O-RING (B)	1		
5	SEAT	2	PTFE	
4	STEM	1		
3	END CONNECTOR	1	□PVC □C-PVC	
2	BALL	1		
1	BODY	1		
No.	DESCRIPTION	QTY.	MATERIAL	REMARKS

ITEM	COMPACT BALL VALVE TYPE27 ASS'Y JIS : □SOCKET END, □THREADED END 13mm(3/8")~50mm(2")		
DRAWN	Y.Sato	DATE	SCALE
CHECKED	A.Shakagori	SEP.20.2016	~
APPROVED	H.Kouroggi	DRAWING No. 27-M1001JE	
SPECIAL ORDER No.	ASAHYUKIZAI CORPORATION		