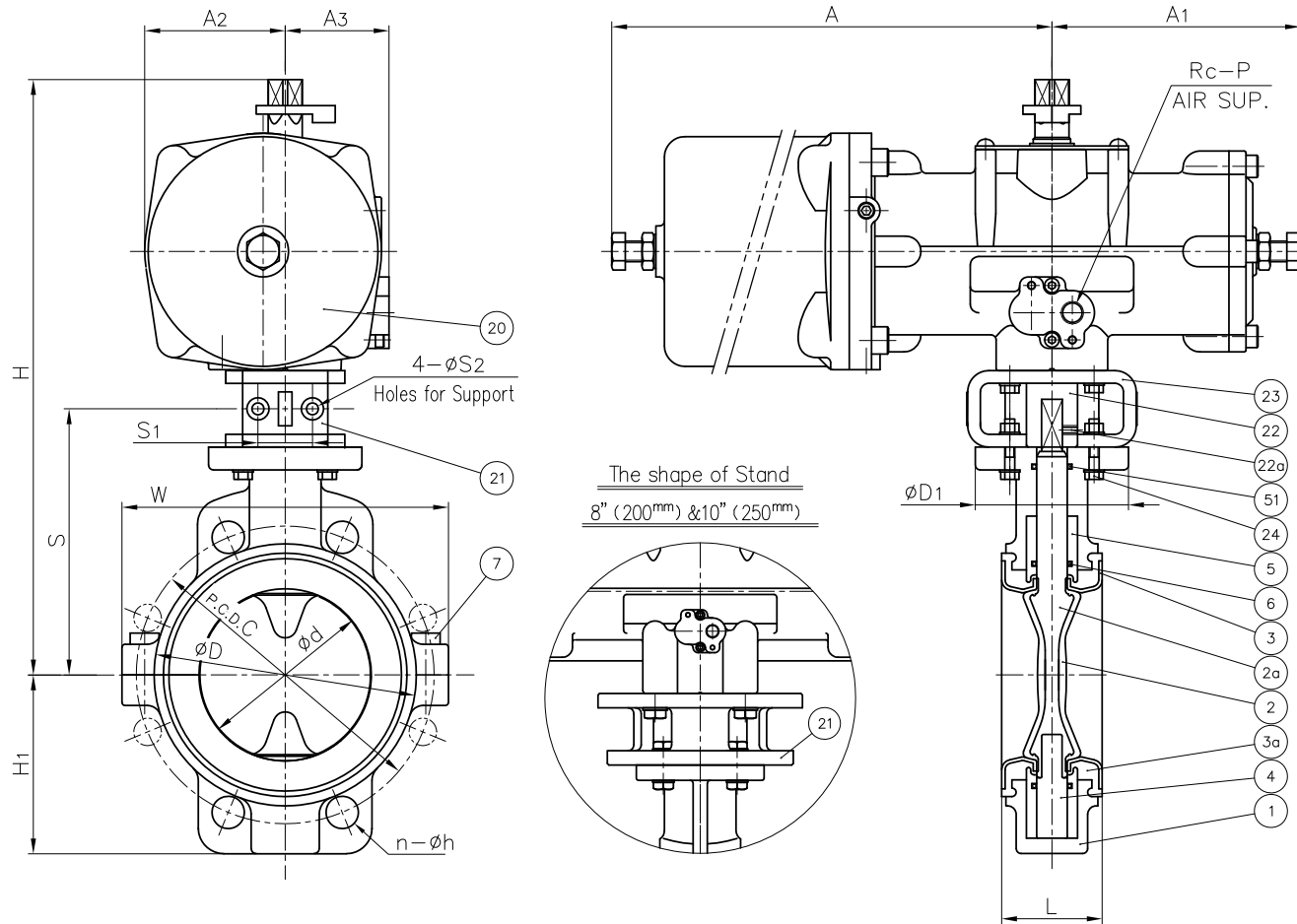


2" (50mm) ~ 6" (150mm)



NOTE.

1. Operating pressure 0.4~0.7MPa G
2. The shape and appearance of assembly differ a little with nominal size compared to this drawing.

51	O-RING (B)	1	NBR	
24	BOLT · NUT (B)	4Sets	STAINLESS STEEL (SUS304)	
23	BOLT (D)	4	STAINLESS STEEL (SUS304)	
22a	SCREW (B)	1	STAINLESS STEEL (SUS304)	
22	JOINT	1	COPPER ALLOY	
21	STAND	1	PPG	Used for Size 2~6"
			CAST ALUMINUM ALLOY (AC4C)	Used for Size 8,10" Epoxy Coat.
20	ACTUATOR	1	ALUMINUM ALLOYS DIE CASTINGS (ADC12) etc.	Meramin Baking Coat.
7	BOLT (A)	—	STAINLESS STEEL (SUS304)	Used for Size 2~5" :2 Used for Size 6"Over:4
6	O-RING (A)	2	EPDM	
5	BUSH	2	STAINLESS STEEL (SUS304)	
4	STEM	1	STAINLESS STEEL (SUS304)	
3a	SEAT CUSHION	1	CR	
3	SEAT	1	PTFE	
2a	INSERTED METAL OF DISC	1	STAINLESS STEEL (SUS304)	
2	DISC	1	PTFE	
1	BODY	1	DUCTILE CAST IRON (FCD-S)	Epoxy Powder Coat.
No.	DESCRIPTION	QTY.	MATERIAL	REMARKS

DIMENSIONS TABLE

UNIT : inch

NOMINAL SIZE	ANSI Class150				L	D	D1	H	H1	W	A	A1	A2	A3	S	S1	S2	P	ACTUATOR MODEL
	d	C	n	h															
2" 50mm	2.17	4.75	2 (4)	0.75	1.73	3.54	3.54	10.55	2.40	4.57	9.45	4.13	2.09	1.97	4.82	1.26	0.28	¼	TA2A-050R
3 80	3.15	6.00	— (4)	0.75	2.13	4.92	3.54	11.89	3.74	5.98	11.34	4.92	2.64	2.05	5.57	1.26	0.28	¼	TA2A-063R
4 100	3.94	7.50	4 (8)	0.75	2.32	6.06	3.54	13.82	3.90	6.85	13.43	5.75	3.27	2.32	6.20	1.26	0.28	¼	TA2A-080R
5 125	4.92	8.50	4 (8)	0.88	2.52	7.13	4.92	14.96	4.72	8.11	13.43	5.75	3.27	2.32	7.22	1.65	0.35	¼	TA2A-080R
6 150	5.91	9.50	4 (8)	0.88	2.95	8.31	4.92	16.85	5.39	9.29	16.42	7.13	4.06	2.80	7.89	1.65	0.35	¼	TA2A-100R2
8 200	7.52	11.75	4 (8)	0.88	3.35	10.43	4.92	19.76	6.42	11.10	21.34	8.66	4.69	2.91	—	—	—	¼	TA2A-125R2
10 250	9.65	14.25	4 (12)	1.00	3.78	12.80	4.92	22.95	7.87	13.43	25.91	10.47	5.87	3.23	—	—	—	¼	TA2A-160R2

ITEM	BUTTERFLY VALVE (TYPE 55) PNEUMATIC MODEL TA TYPE ASS'Y □ AIR TO OPEN, □ AIR TO SHUT ANSI Class150 2" (50mm) ~ 10" (250mm)		
DRAWN	E.Ozaki	DATE	SCALE
CHECKED	H.Kawano	JUN.22.2017	~
APPROVED	H.Kourogi	DRAWING No. 55-AA003AE	
SPECIAL ORDER No.	ASAHI YUKIZAI CORPORATION		