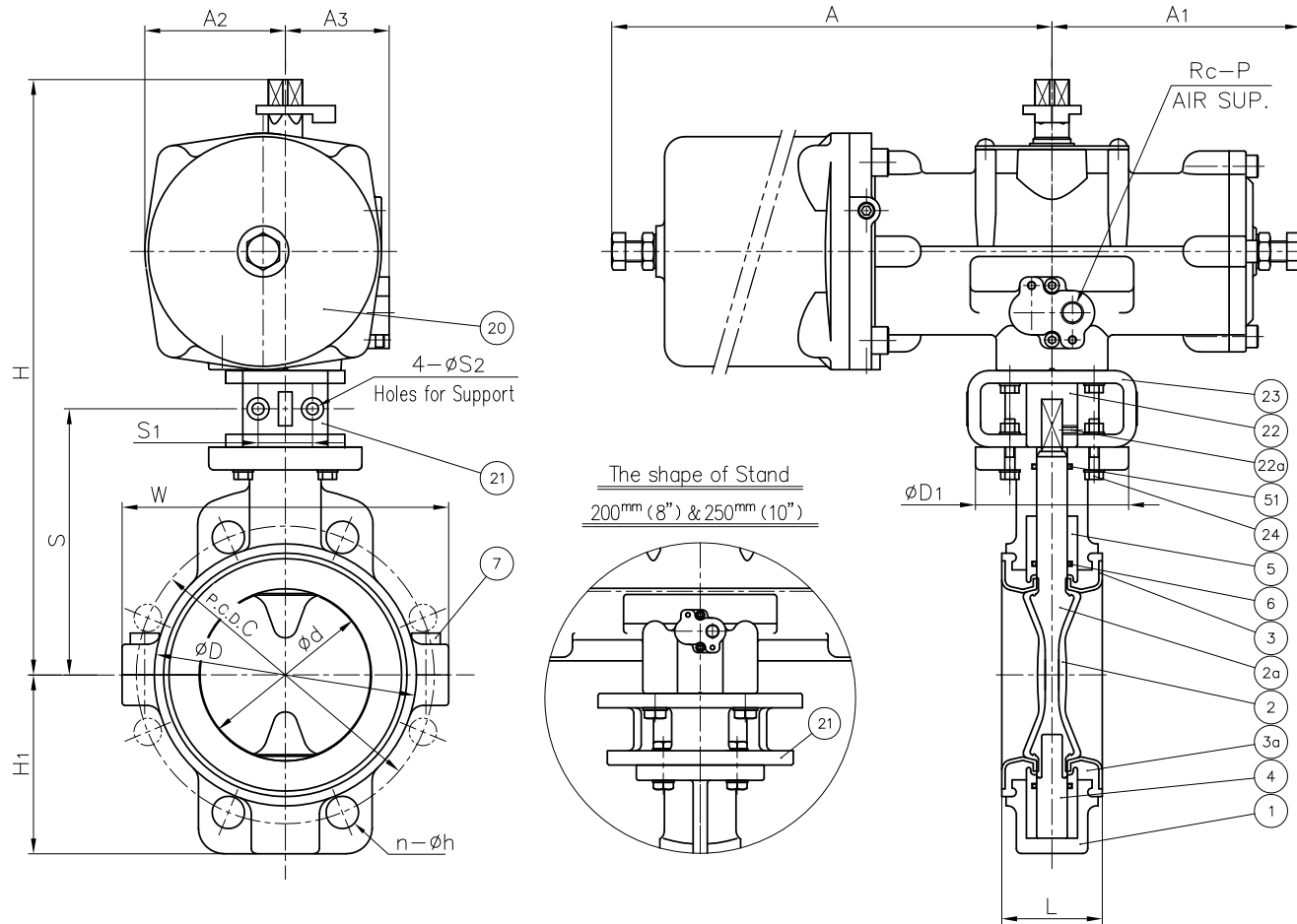


50mm (2") ~ 150mm (6")



NOTE.

1. Operating pressure 0.4~0.7MPa G
2. The shape and appearance of assembly differ a little with nominal size compared to this drawing.

51	O-RING (B)	1	NBR	
24	BOLT · NUT (B)	4Sets	STAINLESS STEEL (SUS304)	
23	BOLT (D)	4	STAINLESS STEEL (SUS304)	
22a	SCREW (B)	1	STAINLESS STEEL (SUS304)	
22	JOINT	1	COPPER ALLOY	
21	STAND	1	PPG	Used for Size 50~150mm
			CAST ALUMINUM ALLOY (AC4C)	Used for Size 200,250mm Epoxy Coat.
20	ACTUATOR	1	ALUMINUM ALLOYS DIE CASTINGS (ADC12) etc.	Meramin Baking Coat.
7	BOLT (A)	-	STAINLESS STEEL (SUS304)	Used for Size 50~125mm : 2 150mm Over : 4
6	O-RING (A)	2	EPDM	
5	BUSH	2	STAINLESS STEEL (SUS304)	
4	STEM	1	STAINLESS STEEL (SUS304)	
3a	SEAT CUSHION	1	CR	
3	SEAT	1	PTFE	
2a	INSERTED METAL OF DISC	1	STAINLESS STEEL (SUS304)	
2	DISC	1	PTFE	
1	BODY	1	DUCTILE CAST IRON (FCD-S)	Epoxy Powder Coat
No.	DESCRIPTION	QTY.	MATERIAL	REMARKS

DIMENSIONS TABLE

UNIT : mm

NOMINAL SIZE	DIN PN10				L	D	D ₁	H	H ₁	W	A	A ₁	A ₂	A ₃	S	S ₁	S ₂	P	ACTUATOR MODEL
	d	C	n	h															
50mm 2"	55	125	2 (4)	18	44	90	268	61	116	240	105	53	50	122.5	32	7	¼	TA2A-050R	
80	3	80	160	4 (8)	18	54	125	90	302	95	152	288	125	67	52	¼	TA2A-063R		
100	4	100	180	4 (8)	18	59	154	90	351	99	174	341	146	83	59	¼	TA2A-080R		
125	5	125	210	4 (8)	18	64	181	125	380	120	206	341	146	83	59	¼	TA2A-080R		
150	6	150	240	4 (8)	22	75	211	125	428	137	236	417	181	103	71	¼	TA2A-100R2		
200	8	191	295	4 (8)	22	85	265	125	502	163	282	542	220	119	74	-	¼	TA2A-125R2	
250	10	245	350	4 (12)	22	96	325	125	583	200	341	658	266	149	82	-	¼	TA2A-160R2	

ITEM BUTTERFLY VALVE (TYPE 55) PNEUMATIC MODEL TA TYPE ASS'Y
 □ AIR TO OPEN, □ AIR TO SHUT
 DIN PN10
 50mm (2") ~ 250mm (10")

DRAWN	E.Ozaki	DATE	SCALE
CHECKED	H.Kawano	JUN.22.2017	~
APPROVED	H.Kourogi	DRAWING No.	
SPECIAL ORDER No.		55-AA003DE	

ASAHI YUKIZAI CORPORATION