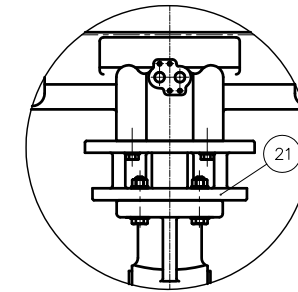
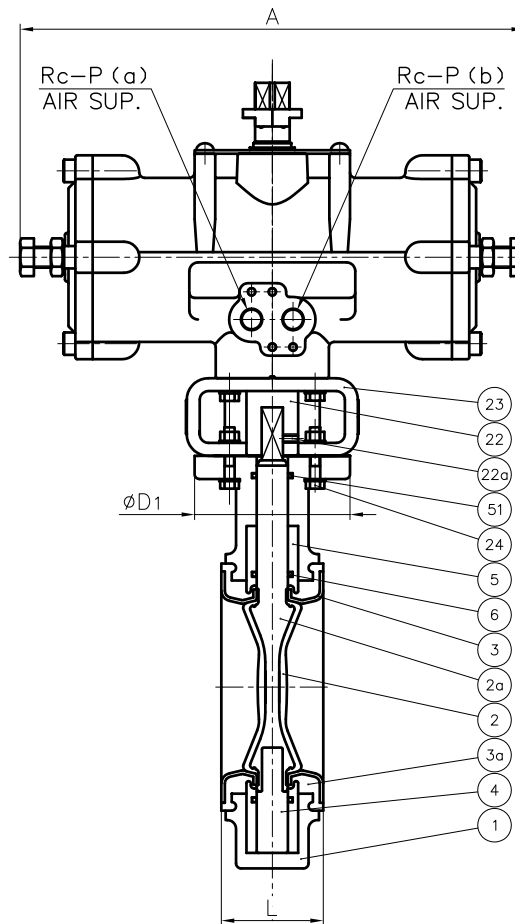
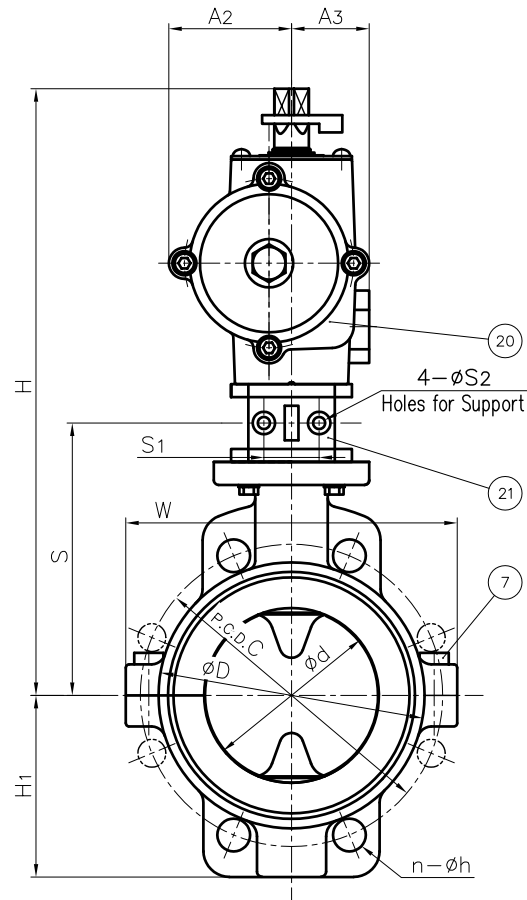


The shape of Stand  
200mm (8") & 250mm (10")



NOTE.

1. Operating pttessure 0.4-0.7 MPa G
2. Valve open : Port (a) Exhaust Port (b) Supply  
Valve Shut : Port (a) Supply Port (b) Exhaust
3. The shape and appearance of assembly differ a little with nominal Size compared to this drawing.

51	O-RING (B)	1	NBR	
24	BOLT · NUT (B)	4Sets	STAINLESS STEEL (SUS304)	
23	BOLT (D)	4	STAINLESS STEEL (SUS304)	
22a	SCREW (B)	1	STAINLESS STEEL (SUS304)	
22	JOINT	1	COPPER ALLOY	
21	STAND	1	PPG	Used for Size 50~150mm
			CAST ALUMINIUM ALLOY (AC4C)	Used for Size 200,250mm Epoxy Coat.
20	ACTUATOR	1	ALUMINIUM ALLOYS DIE CASTINGS (ADC12) etc.	Meramin Baking Coat.
7	BOLT (A)	-	STAINLESS STEEL (SUS304)	Used for Size 50~125mm : 2 150 Over : 4
6	O-RING (A)	1	EPDM	
5	BUSH	2	STAINLESS STEEL (SUS304)	
4	STEM	1	STAINLESS STEEL (SUS304)	
3a	SEAT CUSHION	1	CR	
3	SEAT	1	PTFE	
2a	INSERTED METAL OF DISC	1	STAINLESS STEEL (SUS304)	
2	DISC	1	PTFE	
1	BODY	1	DUCTILE CAST IRON (FCD-S)	Epoxy Powder Coat
No.	DESCRIPTION	QTY.	MATERIAL	REMARKS

DIMENSIONS TABLE

Unit: mm

NOMINAL SIZE	d	ANSI Class150				L	D	D1	H	H1	W	A	A2	A3	S	S1	S2	P	ACTUATOR TYPE
		C	n	h															
50mm 2"	55	120.5	2 (4)	19	44	90	90	268	61	116	210	46	36	122.5	32	7	7	¼	TA2A-050D
80	80	152.5	- (4)	19	54	125	90	302	95	152	250	57	38	141.5	32	7	7	¼	TA2A-063D
100	100	190.5	4 (8)	19	59	154	90	351	99	174	292	71	45	157.5	32	7	7	¼	TA2A-080D
125	125	216	4 (8)	22	64	181	125	380	120	206	292	71	45	183.5	42	9	9	¼	TA2A-080D
150	150	241.5	4 (8)	22	75	211	125	428	137	236	362	85.5	57	200.5	42	9	9	¼	TA2A-100D
200	191	298.5	4 (8)	22	85	265	125	502	163	282	440	90	60	-	-	-	-	¼	TA2A-125D
250	245	362	4 (12)	25	96	325	125	583	200	341	532	113	68	-	-	-	-	¼	TA2A-160D

ITEM	BUTTERFLY VALVE (TYPE 55) PNEUMATIC MODEL TA TYPE ASS'Y DOUBLE ACTING ANSI Class 150 50mm (2") ~ 250mm (10")			
DRAWN	E.Ozaki	DATE	SCALE	
CHECKED	H.Kawano	JUL.01.2019		
APPROVED	K.Koushou	DRAWING No.		
		55-AA004AE		△
SPECIAL ORDER No.	ASAHI YUKIZAI CORPORATION			