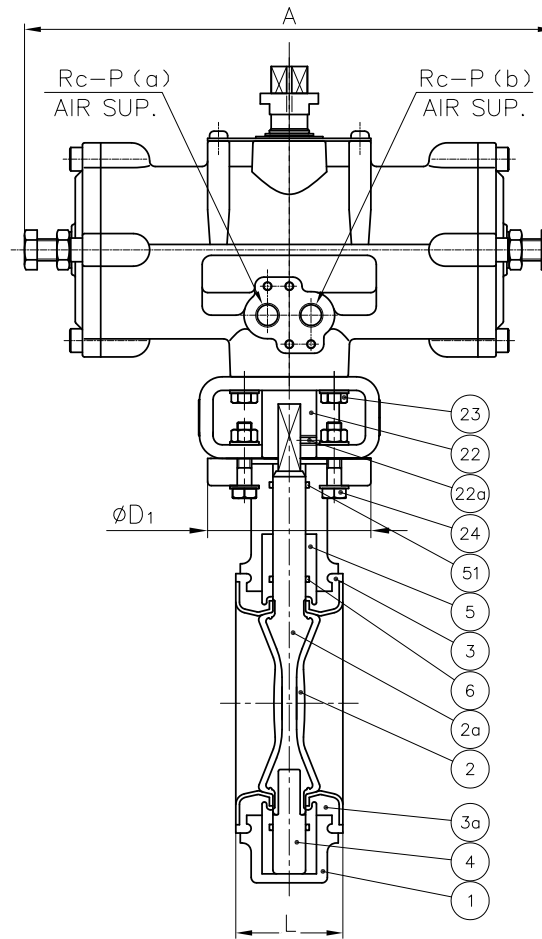
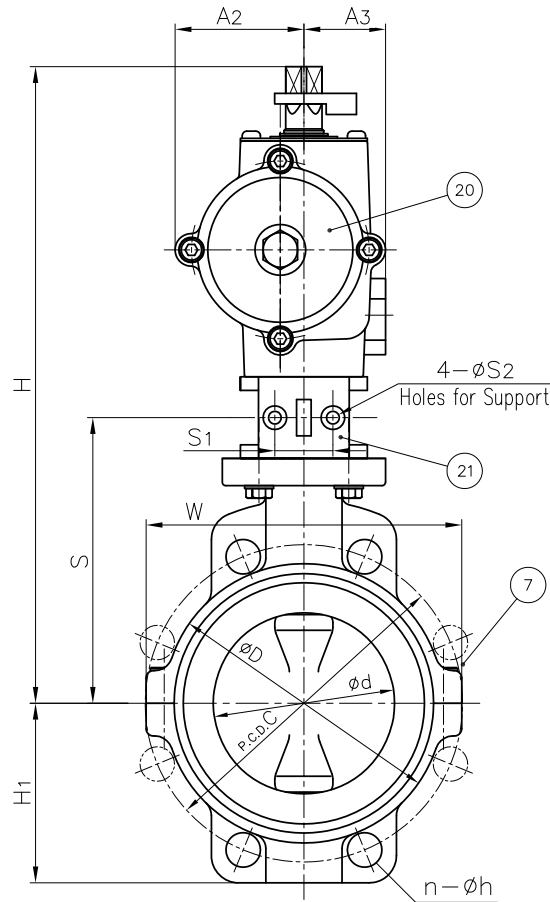
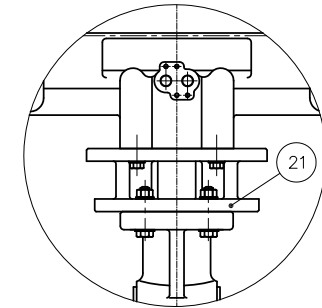


50mm (1½") - 150mm (6")



The shape of Stand  
200mm (8") & 250mm (10")



NOTE.

1. Operating pressure 0.4-0.7 MPa G
2. Valve open : Port (a) Exhaust Port (b) Supply  
Valve Shut : Port (a) Supply Port (b) Exhaust
3. The shape and appearance of assembly differ a little with nominal Size compared to this drawing.

51	O-RING (B)	1	NBR	
24	BOLT · NUT (B)	4sets	STAINLESS STEEL (SUS304)	
23	BOLT (D)	4	STAINLESS STEEL (SUS304)	
22a	SCREW (B)	1	STAINLESS STEEL (SUS304)	
22	JOINT	1	COPPER ALLOY	
21	STAND	1	PPG CAST ALUMINIUM ALLOY (AC4C)	Used for Size 50mm-150mm Used for Size 200mm&250mm Epoxy Coat.
20	ACTUATOR	1	ALUMINIUM ALLOYS DIE CASTINGS (ADC12) etc.	Meramin Baking Coat.
7	BOLT (A)	-	STAINLESS STEEL (SUS304)	Used for Size 50mm-125mm : 2 150mm Over : 4
6	O-RING (A)	1	EPDM	
5	BUSH	2	STAINLESS STEEL (SUS304)	
4	STEM	1	STAINLESS STEEL (SUS304)	
3a	SEAT CUSHION	1	CR	
3	SEAT	1	PTFE	
2a	INSERTED METAL OF DISC	1	STAINLESS STEEL (SUS304)	
2	DISC	1	PTFE	
1	BODY	1	DUCTILE CAST IRON (FCI-S)	Epoxy Powder Coat.
No.	DESCRIPTION	QTY.	MATERIAL	REMARKS

DIMENSIONS TABLE

Unit : mm

Nominal Size	DIN PN10														Actuator Type				
	d	C	n	h	L	D	D <sub>1</sub>	H	H <sub>1</sub>	W	A	A <sub>2</sub>	A <sub>3</sub>	S		S <sub>1</sub>	S <sub>2</sub>	P	
50mm 2"	55	125	2 (4)	18	44	90	90	268	61	116	210	46	36	122.5	32	7	¼	TA2A-050D	
80	3	80	160	4 (8)	18	54	125	90	302	95	152	250	57	38	141.5	32	7	¼	TA2A-063D
100	4	100	180	4 (8)	18	59	154	90	351	99	174	292	71	45	157.5	32	7	¼	TA2A-080D
125	5	125	210	4 (8)	18	64	181	125	380	120	206	292	71	45	183.5	42	9	¼	TA2A-080D
150	6	150	240	4 (8)	22	75	211	125	428	137	236	362	85.5	57	200.5	42	9	¼	TA2A-100D
200	8	191	295	4 (8)	22	85	265	125	502	163	282	440	90	60	-	-	-	¼	TA2A-125D
250	10	245	350	4 (12)	22	96	325	125	583	200	341	532	113	68	-	-	-	¼	TA2A-160D

ITEM	BUTTERFLY VALVE (TYPE 55) PNEUMATIC MODEL TA TYPE ASS'Y DOUBLE ACTING DIN PN10 50mm (2") ~ 250mm (10")			
DRAWN	E.Emmei	DATE	SCALE	
CHECKED	H.Kawano	JAN.24.2017	DRAWING No.	
APPROVED	H.Kourogi	55-AA004DE	4	
SPECIAL ORDER No.	ASAHI YUKIZAI CORPORATION			