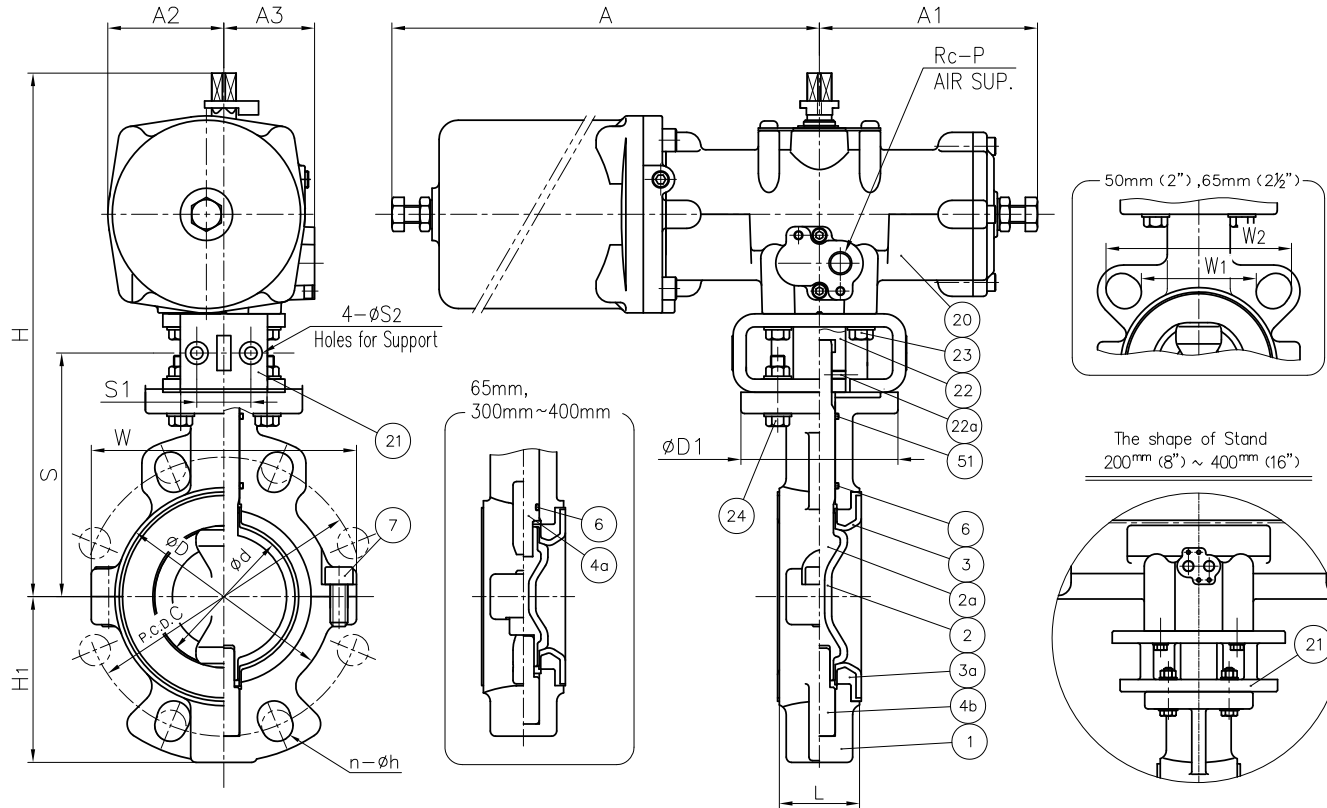


50mm (2") ~ 150mm (6")



NOTE.

1. Operating pressure: 0.4~0.7 MPa G
2. Air to open : Air-less shut
Air to shut : Air-less open
3. The shape and appearance of assembly differ a little with nominal size compared to this drawing.
4. Dimensions "L" is equivalent to ISO5752 flangeless (wafer) short.

No.	DESCRIPTION	QTY.	MATERIAL	REMARKS
51	O-RING (B)	1	EPDM	
24	BOLT · NUT (B)	4 Sets	STAINLESS STEEL (SUS304)	
23	BOLT (D)	4	STAINLESS STEEL (SUS304)	
22a	SCREW (B)	1	STAINLESS STEEL (SUS304)	
22	JOINT	1	COPPER ALLOY (C3604)	
21	STAND	1	PPG	Used for Size 50~150mm
			CAST ALUMINUM ALLOY (AC4C)	Used for Size 200~400mm
20	ACTUATOR	1	ALUMINUM ALLOYS DIE CASTINGS (ADC12) etc.	Meramin Baking Coat.
7	BOLT (A)	-	STAINLESS STEEL (SUS304)	Used for Size 50~125mm : 2 150~400mm : 4
6	O-RING (A)	1	EPDM	
4b	STEM (B)	1	STAINLESS STEEL (SUS304)	
4a	STEM (A)	1	STAINLESS STEEL (SUS304)	Used for Size 65mm, 300~400mm
3a	SEAT CUSHION	1	CR	
3	SEAT	1	PTFE	
2a	INSERTED METAL OF DISC	1	STAINLESS STEEL (SUS304)	
2	DISC	1	PTFE	
1	BODY	1	DUCTILE CAST IRON (FCI-S)	Epoxy Powder Coat

DIMENSIONS TABLE

UNIT : mm

NOMINAL SIZE	d	DIN PN10			D	D ₁	L	H	H ₁	W	W ₁	W ₂	A	A ₁	A ₂	A ₃	S	S ₁	S ₂	P	ACTUATOR MODEL	
		C	n	h																		
50mm	2"	55	(125)	2 (4)	(18)	90	90	43	268	61	116	66	106	240	105	53	50	122.5	32	7	1/4	TA2A-050R
65	2½"	65	(145)	2 (4)	(18)	110	90	46	298	80	146	78	121	288	125	66.5	52	137.5	32	7	1/4	TA2A-063R
80	3	80	160	4 (8)	18	125	90	46	302	95	152	-	-	288	125	66.5	52	141.5	32	7	1/4	TA2A-063R
100	4	100	(180)	4 (8)	(18)	154	90	52	351	103	174	-	-	341	146	82.5	59	157.5	32	7	1/4	TA2A-080R
125	5	125	210	4 (8)	18	181	125	56	411	120	206	-	-	417	181	103	71	183.5	42	9	1/4	TA2A-100R2
150	6	150	240	4 (8)	22	211	125	56	428	137	236	-	-	417	181	103	71	200.5	42	9	1/4	TA2A-100R2
200	8	191	295	4 (8)	22	253	125	60	502	163	290	-	-	542	220	118.5	74	-	-	-	1/4	TA2A-125R2
250	10	245	350	4 (12)	22	320	125	68	583	200	340	-	-	658	266	149	82	-	-	-	1/4	TA2A-160R2
300	12	296	400	4 (12)	22	371	180	78	638	230	410	-	-	658	266	149	82	-	-	-	1/4	TA2A-160R2
350	14	330	460	4 (16)	22	416	180	92	727	255	460	-	-	943	332	182	118	-	-	-	3/8	TA-200R
400	16	380	515	4 (16)	26	476	180	102	757	290	532	-	-	943	332	182	118	-	-	-	3/8	TA-200R

ITEM	BUTTERFLY VALVE (TYPE 55IS) PNEUMATIC MODEL TA TYPE ASSY □AIR TO OPEN, □AIR TO SHUT DIN PN10 50mm (2") ~ 400mm (16")		
DRAWN	E.Emmei	DATE	SCALE
CHECKED	H.Kawano	JUN.20.2018	~
APPROVED	K.Koushou	DRAWING No. 55-AA038DE	
SPECIAL ORDER No.	ASAHI YUKIZAI CORPORATION		