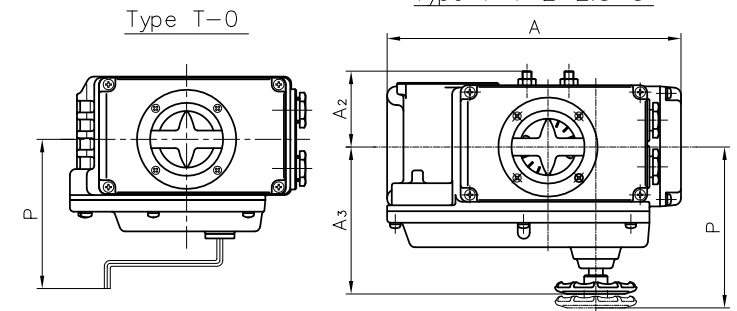
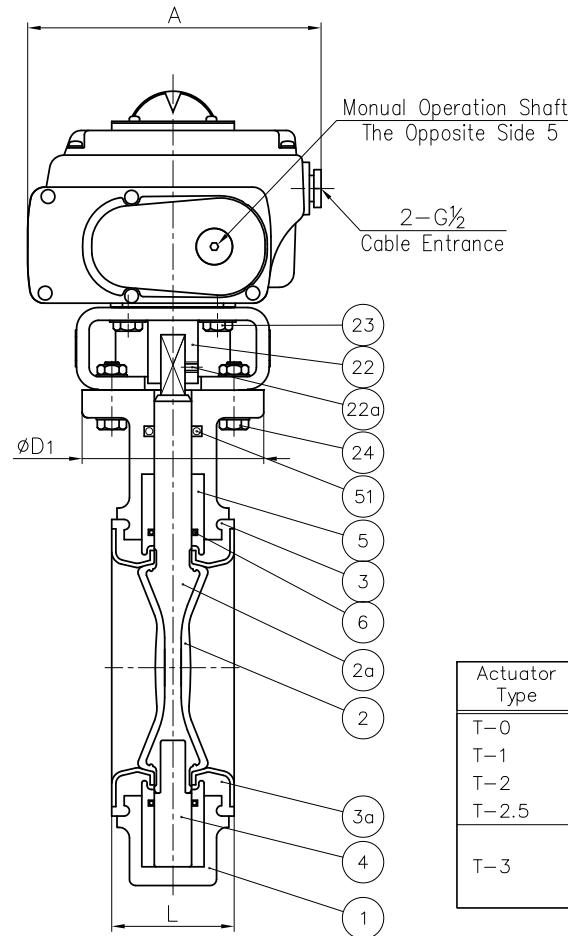
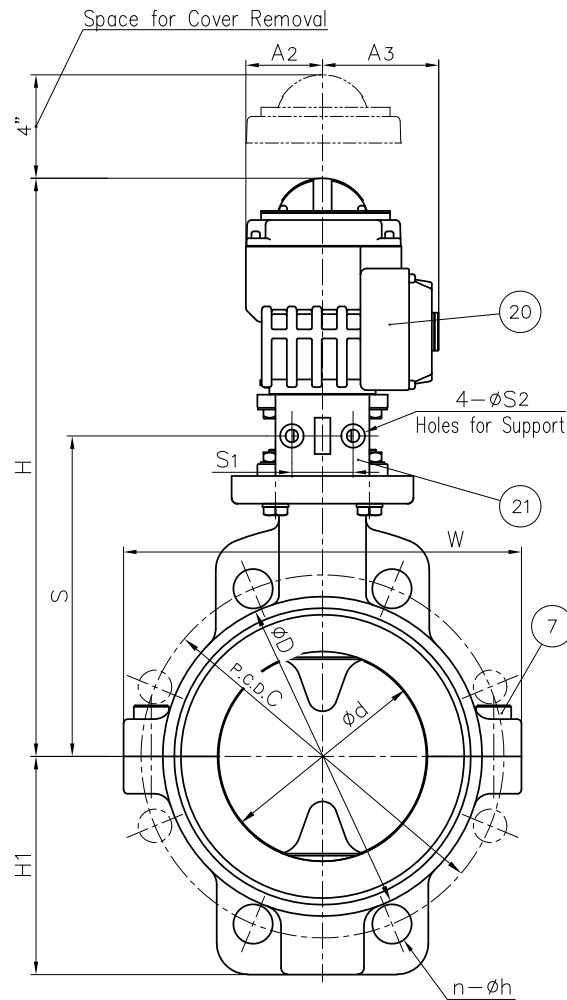


Manual Operation



- NOTE. 1. The shape and appearance of assembly differ a little with nominal size compared to this drawing.
 2. An Actuator Type T-0 has manual operating wrench, another types have manual operating wheel.
 3. P shows manual operating position.

Actuator Type	Spec.
T-0	<input type="checkbox"/> Standard
T-1	<input type="checkbox"/> with Potentiometer
T-2	<input type="checkbox"/> with Intermediate Limit Switch
T-2.5	<input type="checkbox"/> with Speed Controller
T-3	<input type="checkbox"/> Standard <input type="checkbox"/> with Potentiometer <input type="checkbox"/> with Intermediate Limit Switch

51	O-RING (B)	1	NBR	
24	BOLT · NUT (B)	4 Sets	STAINLESS STEEL (SUS304)	
23	BOLT (D)	4	STAINLESS STEEL (SUS304)	
22a	SCREW (B)	1	STAINLESS STEEL (SUS304)	
22	JOINT	1	COPPER ALLOY (C3604)	
21	STAND	1	PPG	Used for Size 2"~6"
			CAST ALUMINUM ALLOY (AC4C)	Used for Size 10" Epoxy Coat.
20	ACTUATOR	1	ALUMINUM ALLOYS DIE CASTINGS (ADC12) etc.	
7	BOLT (A)	-	STAINLESS STEEL (SUS304)	Used for Size 2"~5" : 2 6" Over : 4
6	O-RING (A)	2	EPDM	
5	BUSH	2	STAINLESS STEEL (SUS304)	
4	STEM	1	STAINLESS STEEL (SUS304)	
3a	SEAT CUSHION	1	CR	
3	SEAT	1	PTFE	
2a	INSERTED METAL OF DISC	1	STAINLESS STEEL (SUS304)	
2	DISC	1	PTFE	
1	BODY	1	DUCTILE CAST IRON (FCD-S)	Epoxy Powder Coat
No.	DESCRIPTION	QTY.	MATERIAL	REMARKS

DIMENSIONS TABLE

UNIT: inch

NOMINAL SIZE	d	ANSI Class 150				L	D	D1	H	H1	W	A	A2	A3	S	S1	S2	P	Actuator Type
		C	n	h															
2" 50mm	2.17	4.75	2 (4)	0.75	1.73	3.54	3.54	11.61	2.40	4.57	7.95	2.12	3.35	1.26	0.28	0.28	0.28	5.04	T-0
3	3.15	6.00	- (4)	0.75	2.13	4.92	3.54	12.36	3.74	5.98	7.95	2.12	3.35	1.26	0.28	0.28	0.28	5.04	T-0
4	4.100	3.94	7.50	4 (8)	0.75	2.32	6.06	3.54	12.99	3.90	6.85	2.12	3.35	1.26	0.28	0.28	0.28	5.04	T-0
5	125	4.92	8.50	4 (8)	0.88	2.52	7.13	4.92	14.72	4.72	8.11	9.92	2.56	4.96	1.65	0.35	0.35	5.43	T-1
6	150	5.91	9.50	4 (8)	0.88	2.95	8.31	4.92	16.69	5.39	9.29	12.20	3.35	6.06	1.65	0.35	0.35	6.61	T-2
8	200	7.52	11.75	4 (8)	0.88	3.35	10.43	4.92	17.87	6.42	11.10	12.20	3.35	6.06	1.65	0.35	0.35	6.61	T-2.5
10	250	9.65	14.25	4 (12)	1.00	3.78	12.80	4.92	21.26	7.87	13.43	15.28	5.35	9.67	-	-	-	10.55	T-3

ITEM	BUTTERFLY VALVE (TYPE 55) ELECTRIC MODEL T TYPE ASS'Y ANSI Class 150 2" (50mm) ~ 10" (250mm)		
DRAWN	M.Iwakiri	DATE	SCALE
CHECKED	H.Kawano	SEP.5.2019	
APPROVED	K.Koushou	DRAWING No. 55-AE004AE	
SPECIAL ORDER No.	ASAHI YUKIZAI CORPORATION		