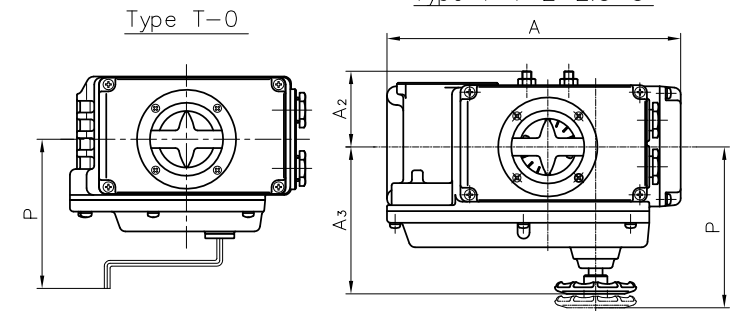
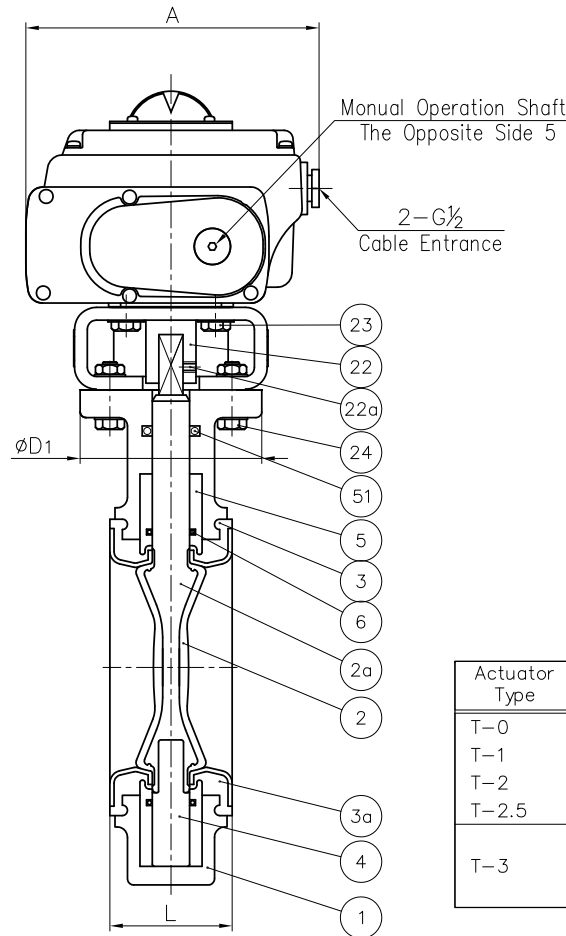
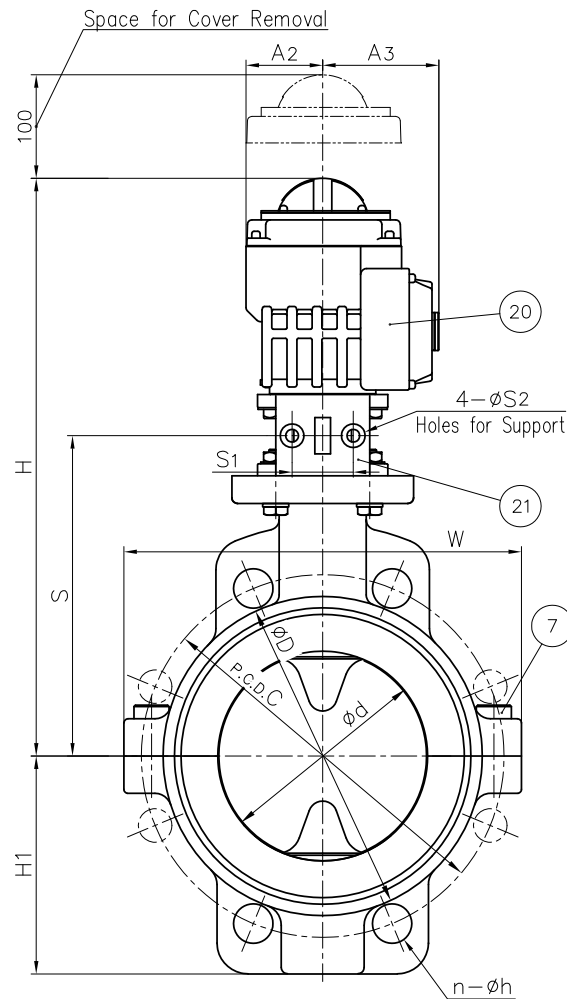


Manual Operation



- NOTE. 1. The shape and appearance of assembly differ a little with nominal size compared to this drawing.
 2. An Actuator Type T-0 has manual operating wrench, another types have manual operating wheel.
 3. P shows manual operating position.

Actuator Type	Spec.
T-0	<input type="checkbox"/> Standard
T-1	<input type="checkbox"/> with Potentiometer
T-2	<input type="checkbox"/> with Intermediate Limit Switch
T-2.5	<input type="checkbox"/> with Speed Controller
T-3	<input type="checkbox"/> Standard
	<input type="checkbox"/> with Potentiometer
	<input type="checkbox"/> with Intermediate Limit Switch

51	O-RING (B)	1	NBR	
24	BOLT · NUT (B)	4 Sets	STAINLESS STEEL (SUS304)	
23	BOLT (D)	4	STAINLESS STEEL (SUS304)	
22a	SCREW (B)	1	STAINLESS STEEL (SUS304)	
22	JOINT	1	COPPER ALLOY (C3604)	
21	STAND	1	PPG	Used for Size 50~200 ^{mm}
			CAST ALUMINUM ALLOY (AC4C)	Used for Size 250 ^{mm} Epoxy Coat.
20	ACTUATOR	1	ALUMINUM ALLOYS DIE CASTINGS (ADC12) etc.	
7	BOLT (A)	-	STAINLESS STEEL (SUS304)	Used for Size 50~125 ^{mm} : 2 150 Over : 4
6	O-RING (A)	2	EPDM	
5	BUSH	2	STAINLESS STEEL (SUS304)	
4	STEM	1	STAINLESS STEEL (SUS304)	
3a	SEAT CUSHION	1	CR	
3	SEAT	1	PTFE	
2a	INSERTED METAL OF DISC	1	STAINLESS STEEL (SUS304)	
2	DISC	1	PTFE	
1	BODY	1	DUCTILE CAST IRON (FCD-S)	Epoxy Powder Coat
No.	DESCRIPTION	QTY.	MATERIAL	REMARKS

DIMENSIONS TABLE

UNIT: mm

NOMINAL SIZE	d	JIS 5K			JIS 10K			L	D	D1	H	H1	W	A	A2	A3	S	S1	S2	P	Actuator Type	
		C	n	h	C	n	h															
50 ^{mm} 2"	55	105	2 (4)	15	120	2 (4)	19	44	90	90	295	61	116	202	53.8	85	122.5	32	7	128	T-0	
80	3	80	145	- (4)	19	150	4 (8)	19	54	125	90	314	95	152	202	53.8	85	141.5	32	7	128	T-0
100	4	100	165	4 (8)	19	175	4 (8)	19	59	154	90	330	99	174	202	53.8	85	157.5	32	7	128	T-0
125	5	125	200	4 (8)	19	210	4 (8)	23	64	181	125	374	120	206	252	65	126	183.5	42	9	138	T-1
150	6	150	230	4 (8)	19	240	4 (8)	23	75	211	125	424	137	236	310	85	154	200.5	42	9	168	T-2
200	8	191	280	4 (8)	23	290	4 (12)	23	85	265	125	454	163	282	310	85	154	230.5	42	9	168	T-2.5
250	10	245	345	4 (12)	23	355	4 (12)	25	96	325	125	540	200	341	388	136	245.5	-	-	-	268	T-3

ITEM	BUTTERFLY VALVE (TYPE 55) ELECTRIC MODEL T TYPE ASS'Y □JIS 5K, □JIS 10K 50 ^{mm} (2") ~ 250 ^{mm} (10")		
DRAWN	K.Sakiyama	DATE	SCALE
CHECKED	H.Kawano	NOV.30.2014	~
APPROVED	T.Iwamoto	DRAWING No.	
SPECIAL ORDER No.	55-AE004JE		
ASAHI YUKIZAI CORPORATION			