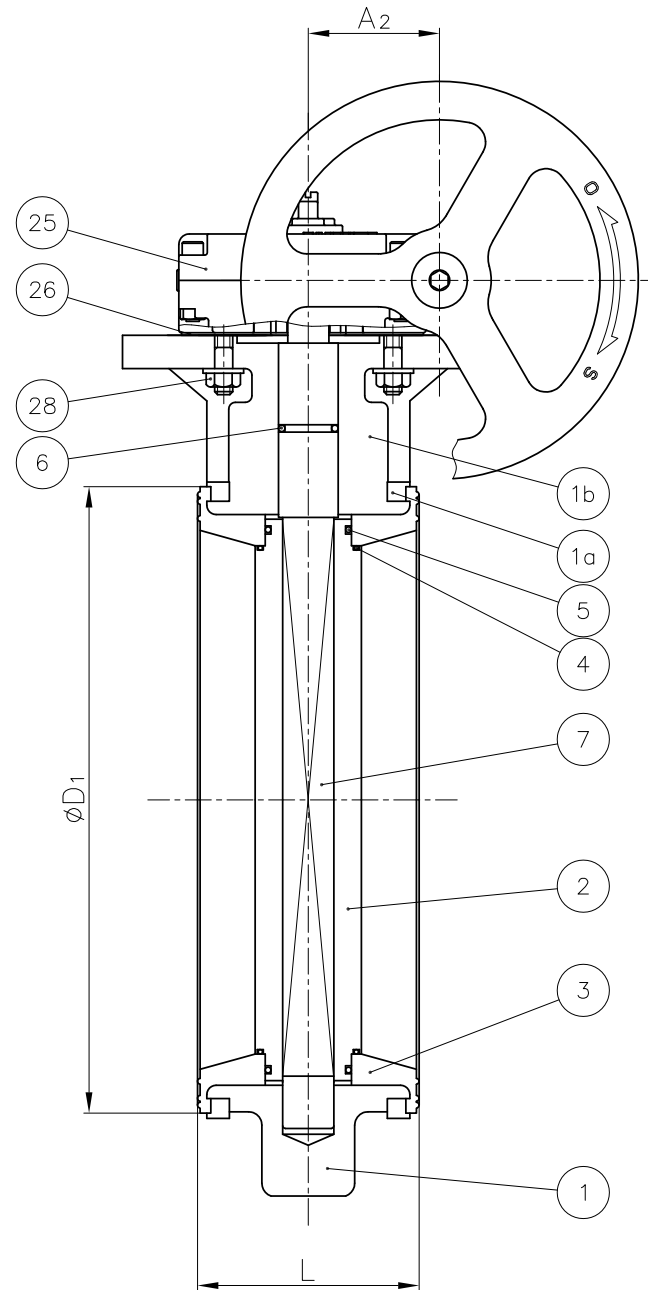
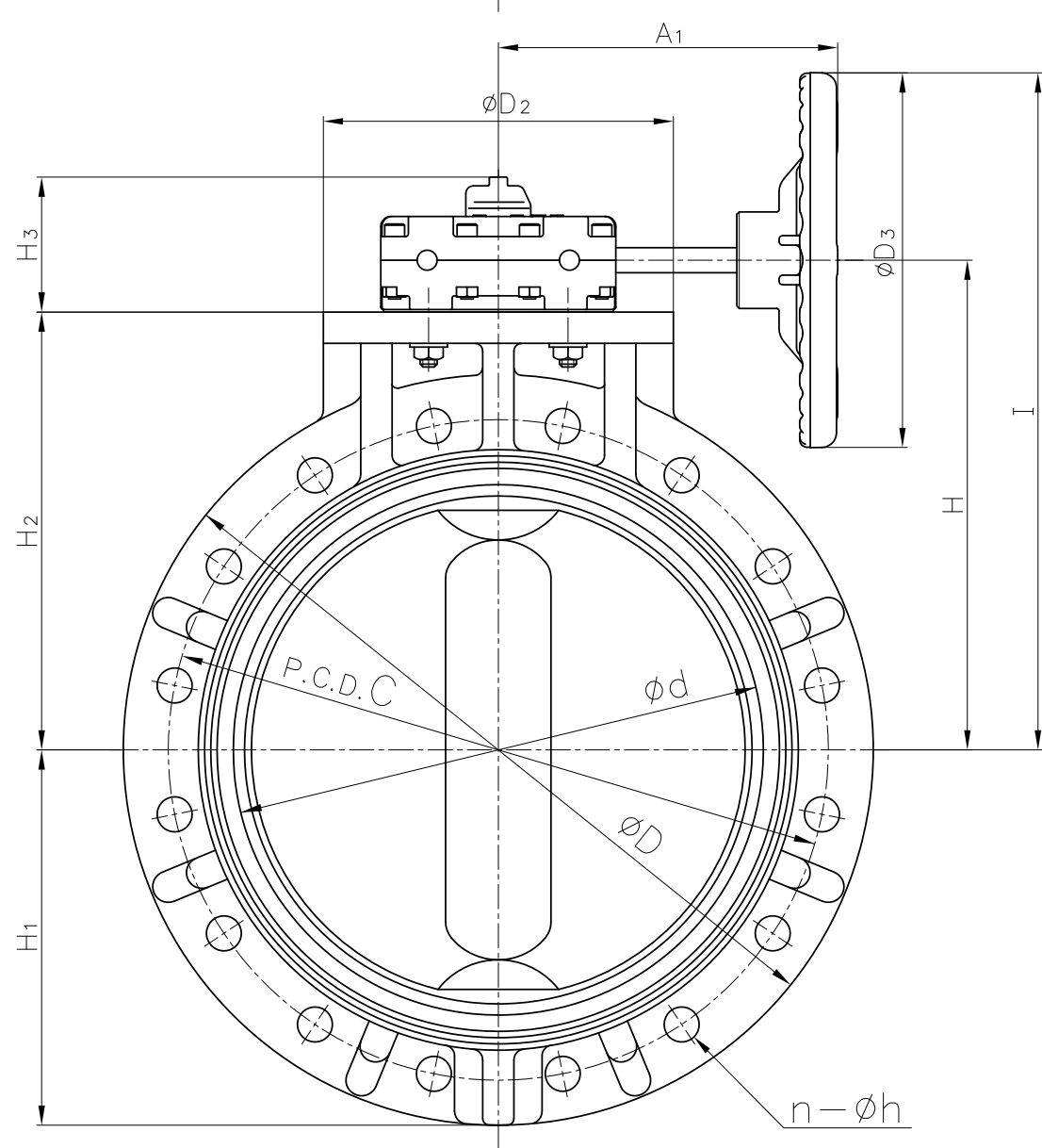
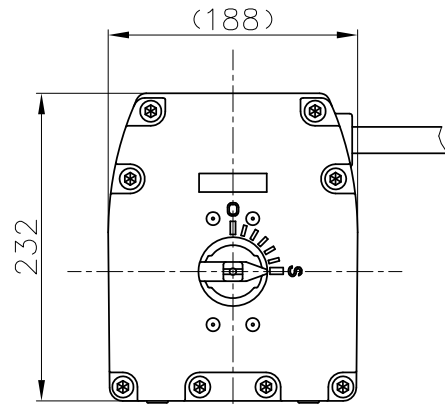


DIMENSIONS TABLE

UNIT: inch

NOMINAL SIZE	d	ANSI Class 150			D	D <sub>1</sub>	D <sub>2</sub>	D <sub>3</sub>	L	H	H <sub>1</sub>	H <sub>2</sub>	H <sub>3</sub>	I	A <sub>1</sub>	A <sub>2</sub>	Number of handle wheel rotation	GEAR BOX MODEL No.
		C	n	h														
16" 400mm	15.98	21.25	16	1.12	23.62	18.50	9.25	11.81	6.65	15.43	11.81	13.78	4.25	21.33	10.71	3.90	9.5	TYPE3



No.	DESCRIPTION	QTY.	MATERIAL	REMARKS
1a	RING	2	STEEL (SS400) WITH EPOXY POWDER COAT.	
28	BOLT (C)	4	STAINLESS STEEL (SUS304)	
26	GASKET (A)	1	EPDM	
25	GEAR BOX	1	PLASTIC etc.	
7	STEM	1	STAINLESS STEEL (SUS403)	
6	O-RING (C)	1	□EPDM □FKM □Others ( )	
5	O-RING (B)	2		
4	O-RING (A)	2		
3	SEAT	1		
2	DISC	1	BODY/DISC □PP/PP □PVDF/PVDF	
1	BODY	1		

ITEM	BUTTERFLY VALVE (TYPE 56) ASS'Y SIDE GEAR TYPE : ANSI Class 150 16" (400mm)		
MODEL No.			
DRAWN	M.Yamamoto	DATE	SCALE
CHECKED	H.Kawano	FEB.3.2009	~
APPROVED	Y.Ozaki	DRAWING No. 56-M1010AE	
SPECIAL ORDER No.			
<b>ASAHI YUKIZAI CORPORATION</b>			