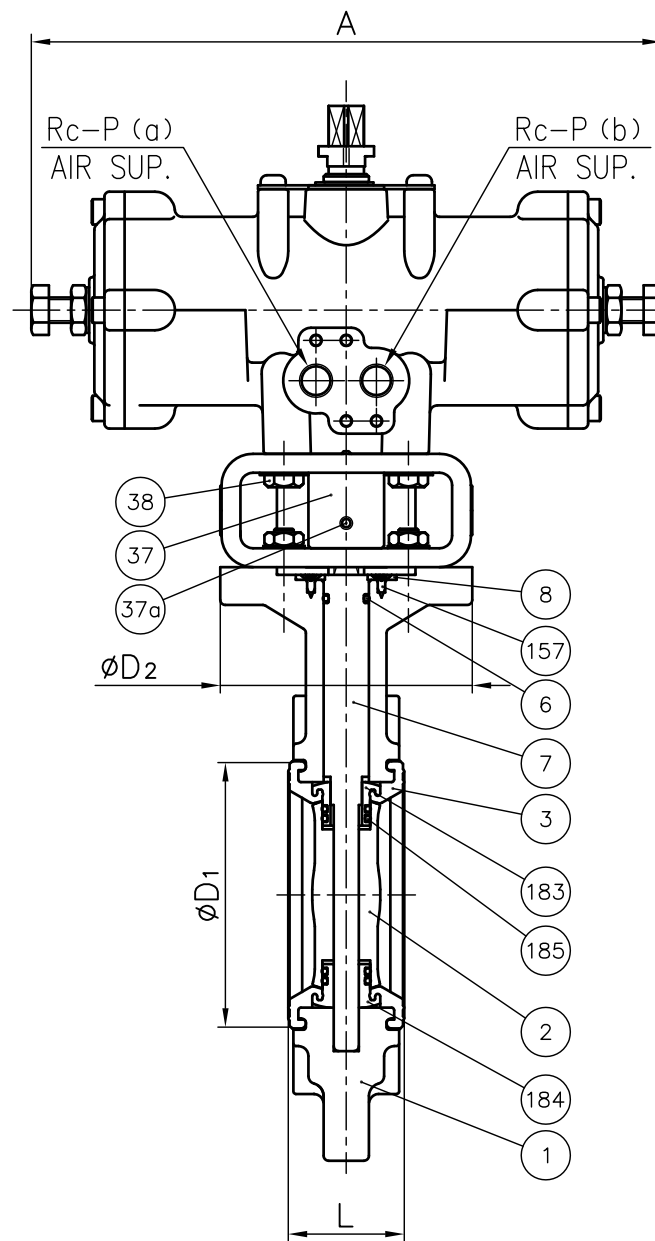
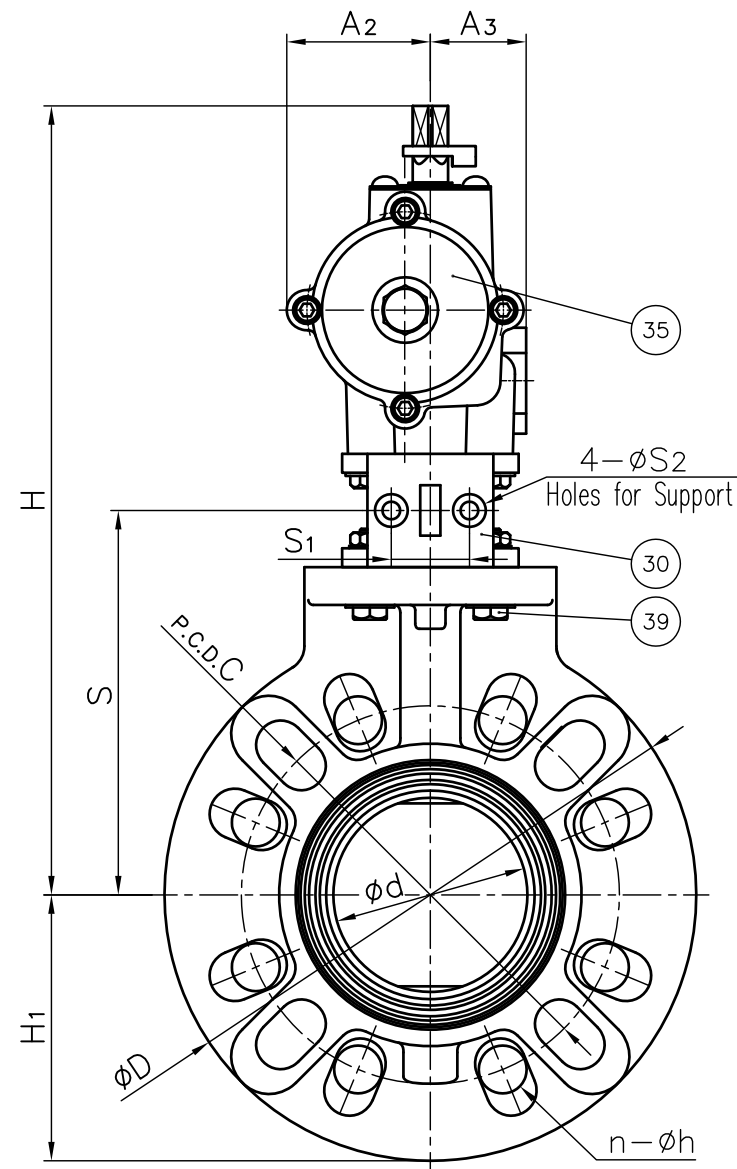
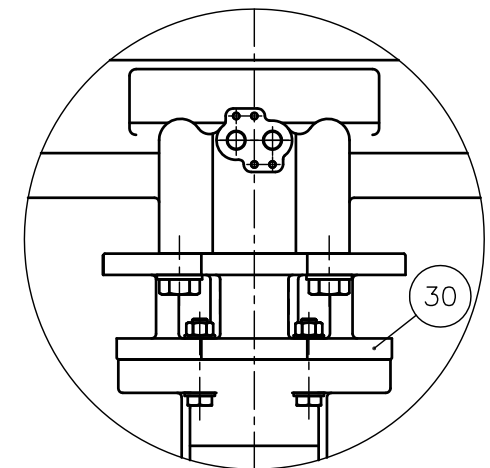


1½" (40mm) – 6" (150mm)



The Shape of Stand
8" (200mm) – 14" (350mm)



NOTE.

- Operating pressure : 0.4–0.7MPa G
Valve open : Port (a) Exhaust Port (b) Supply
Valve close : Port (a) Supply Port (b) Exhaust
- The shape and appearance of assembly differ a little with nominal size compared to this drawing.

157	SCREW (F)	4	STAINLESS STEEL (SUS304)	
39	BOLT·NUT (A)	4Sets	STAINLESS STEEL (SUS304)	
38	BOLT (E)	4	STAINLESS STEEL (SUS304)	
37a	SCREW (C)	1	STAINLESS STEEL (SUS304)	
37	JOINT (A)	1	COPPER ALLOY (C3604)	
35	ACTUATOR	1	ALUMINIUM ALLOYS DIE CASTINGS (ADC12) etc. CAST IRON (FC200) etc.	Used for Size 1½–12" Meramin Baking Coat. Used for Size 14" Acryl Coat.
30	STAND	1	PPG CAST ALUMINIUM ALLOY (AC4C)	Used for Size 1½–6" Used for Size 8–14" Epoxy Coat.
8	STEM HOLDER (A)	1	PP	
7	STEM	1	□ STAINLESS STEEL (SUS403) □ STAINLESS STEEL (SUS316)	
185	O-RING (I)	4	□ EPDM □ FKM □ Others	
6	O-RING (C)	1		
3	SEAT	1	()	
184	SEAT BUSH (B)	1	BODY / DISC·SEAT BUSH	
183	SEAT BUSH (A)	1		
2	DISC	1	□ PVC/PP □ PP/PP □ PVDF/PVDF	
1	BODY	1		
No.	DESCRIPTION	QTY.	MATERIAL	REMARKS

DIMENSIONS TABLE

UNIT: inch

NOMINAL SIZE	d	ANSI Class 150				L	D	D ₁	D ₂	H	H ₁	A	A ₂	A ₃	S	S ₁	S ₂	P	Actuator Type
		C	n	h															
1½"	40mm	1.77	3.88	4	0.62	1.54	5.91	2.80	3.94	10.35	2.95	8.27	1.81	1.42	4.63	1.26	0.28	¼	TA2A-050D
2"	50	2.20	4.75	4	0.75	1.65	6.50	3.19	3.94	10.75	3.27	8.27	1.81	1.42	5.02	1.26	0.28	¼	TA2A-050D
2½"	65	2.72	5.50	4	0.75	1.81	7.28	3.74	3.94	11.73	3.66	9.84	2.24	1.50	5.41	1.26	0.28	¼	TA2A-063D
3"	80	3.03	6.00	4	0.75	1.81	8.31	4.13	3.94	12.32	4.17	9.84	2.24	1.50	6.00	1.26	0.28	¼	TA2A-063D
4"	100	4.02	7.50	8	0.75	2.20	9.37	5.28	3.94	14.21	4.69	11.50	2.80	1.77	6.59	1.26	0.28	¼	TA2A-080D
5"	125	5.08	8.50	8	0.88	2.60	10.04	6.65	5.51	16.26	5.04	14.25	3.37	2.24	7.30	1.65	0.35	¼	TA2A-100D
6"	150	5.91	9.50	8	0.88	2.80	11.22	7.48	5.51	16.85	5.63	14.25	3.37	2.24	7.89	1.65	0.35	¼	TA2A-100D
8"	200	7.68	11.75	8	0.88	3.43	13.78	9.53	5.51	19.41	6.89	17.32	3.54	2.36	—	—	—	¼	TA2A-125D
10"	250	9.84	14.25	12	1.00	4.41	16.57	11.89	7.09	22.99	8.31	20.94	4.45	2.68	—	—	—	¼	TA2A-160D
12"	300	11.93	17.00	12	1.00	5.08	19.21	14.17	9.25	25.24	9.61	20.94	4.45	2.68	—	—	—	¼	TA2A-160D
14"	350	13.82	18.75	12	1.12	5.08	21.22	15.47	9.25	28.82	10.63	26.14	5.47	3.35	—	—	—	¾	TA-200D

ITEM	BUTTERFLY VALVE (TYPE 57) PNEUMATIC MODEL TA TYPE ASSY DOUBLE ACTING ANSI Class 150 1½" (40mm) ~ 14" (350mm)		
DRAWN	M.Oosako	DATE	SCALE
CHECKED	H.Kawano	JUL.22.2011	~
APPROVED	Y.Ozaki	DRAWING No. 57-AA001AE	
SPECIAL ORDER No.			

ASAHI YUKIZAI CORPORATION