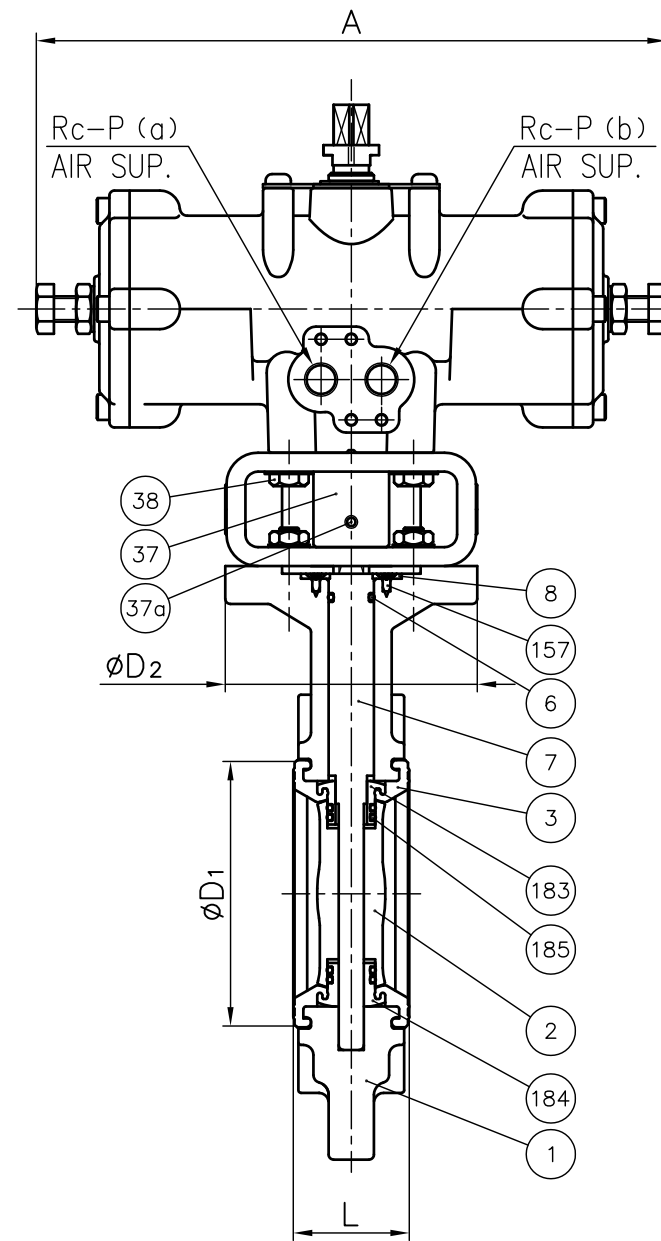
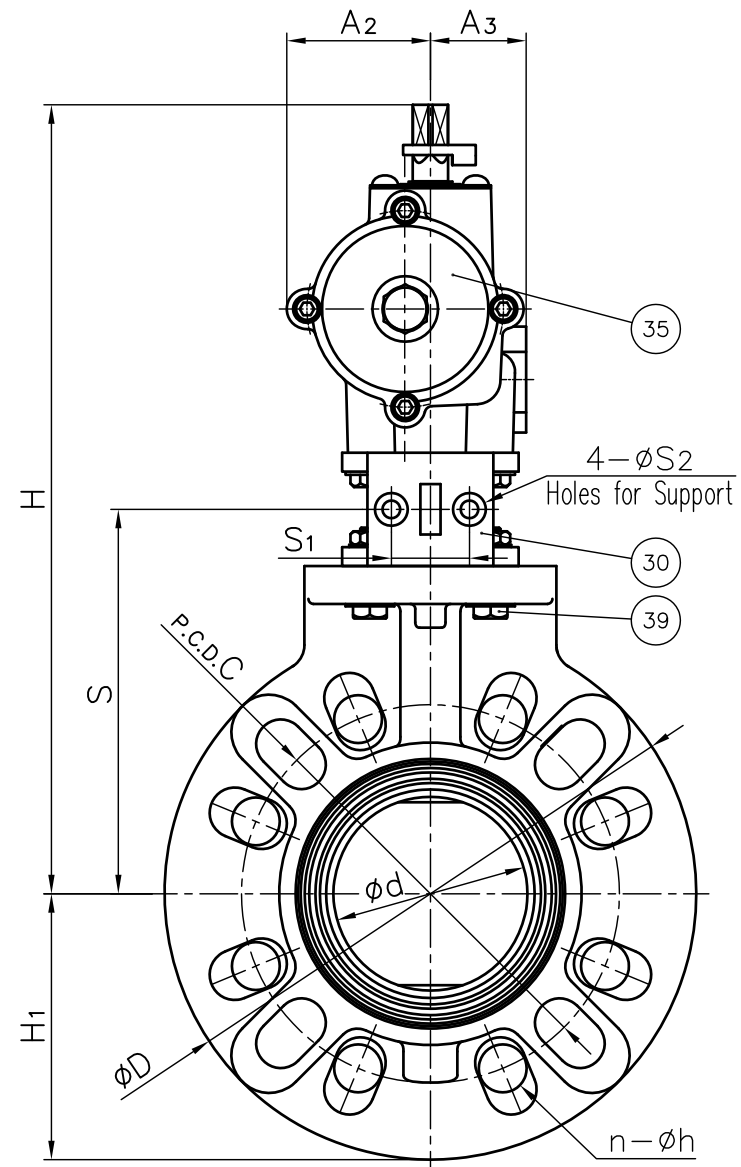
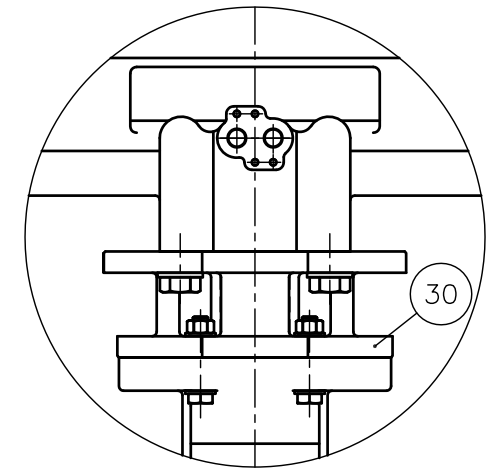


40^{mm} (1½") – 150^{mm} (6")



The Shape of Stand
200^{mm} (8") – 350^{mm} (14")



NOTE.

- Operating pressure : 0.4–0.7MPa G
Valve open : Port (a) Exhaust Port (b) Supply
Valve close : Port (a) Supply Port (b) Exhaust
- The shape and appearance of assembly differ a little with nominal size compared to this drawing.

157	SCREW (F)	4	STAINLESS STEEL (SUS304)	
39	BOLT·NUT (A)	4Sets	STAINLESS STEEL (SUS304)	
38	BOLT (E)	4	STAINLESS STEEL (SUS304)	
37a	SCREW (C)	1	STAINLESS STEEL (SUS304)	
37	JOINT (A)	1	COPPER ALLOY (C3604)	
35	ACTUATOR	1	ALUMINIUM ALLOYS DIE CASTINGS (ADC12) etc. CAST IRON (FC200) etc.	Used for Size 40–300 ^{mm} Meramin Baking Coat. Used for Size 350 ^{mm} Acryl Coat.
30	STAND	1	PPG CAST ALUMINIUM ALLOY (AC4C)	Used for Size 40–150 ^{mm} Used for Size 200–350 ^{mm} Epoxy Coat.
8	STEM HOLDER (A)	1	PP	
7	STEM	1	□ STAINLESS STEEL (SUS403) □ STAINLESS STEEL (SUS316)	
185	O-RING (I)	4	□ EPDM	
6	O-RING (C)	1	□ FKM □ Others	
3	SEAT	1	()	
184	SEAT BUSH (B)	1	BODY / DISC SEAT BUSH	
183	SEAT BUSH (A)	1		
2	DISC	1	□ PVC/PP □ PP/PP □ PVDF/PVDF	
1	BODY	1		

DIMENSIONS TABLE

UNIT: mm

NOMINAL SIZE	d	ANSI Class 150			L	D	D ₁	D ₂	H	H ₁	A	A ₂	A ₃	S	S ₁	S ₂	P	Actuator Type
		C	n	h														
40 ^{mm} 1½"	45	98.5	4	16	39	150	71	100	263	75	210	46	36	117.5	32	7	¼	TA2A-050D
50	2	56	4	19	42	165	81	100	273	83	210	46	36	127.5	32	7	¼	TA2A-050D
65	2½	69	4	19	46	185	95	100	298	93	250	57	38	137.5	32	7	¼	TA2A-063D
80	3	77	4	19	46	211	105	100	313	106	250	57	38	152.5	32	7	¼	TA2A-063D
100	4	102	8	19	56	238	134	100	361	119	292	71	45	167.5	32	7	¼	TA2A-080D
125	5	129	8	22	66	255	169	140	413	128	362	85.5	57	185.5	42	9	¼	TA2A-100D
150	6	150	8	22	71	285	190	140	428	143	362	85.5	57	200.5	42	9	¼	TA2A-100D
200	8	195	8	22	87	350	242	140	493	175	440	90	60	—	—	—	¼	TA2A-125D
250	10	250	12	25	112	421	302	180	584	211	532	113	68	—	—	—	¼	TA2A-160D
300	12	303	12	25	129	488	360	235	641	244	532	113	68	—	—	—	¼	TA2A-160D
350	14	351	12	29	129	539	393	235	732	270	664	139	85	—	—	—	¾	TA-200D

No.	DESCRIPTION	QTY.	MATERIAL	REMARKS
ITEM	BUTTERFLY VALVE (TYPE 57) PNEUMATIC MODEL TA TYPE ASS'Y DOUBLE ACTING ANSI Class 150 40 ^{mm} (1½") ~ 350 ^{mm} (14")			
DRAWN	E.Emmei	DATE	SCALE	
CHECKED	H.Kawano	OCT.14.2015	DRAWING No.	
APPROVED	H.Kouroggi	57-AA001AEm		△
SPECIAL ORDER No.	ASAHI YUKIZAI CORPORATION			