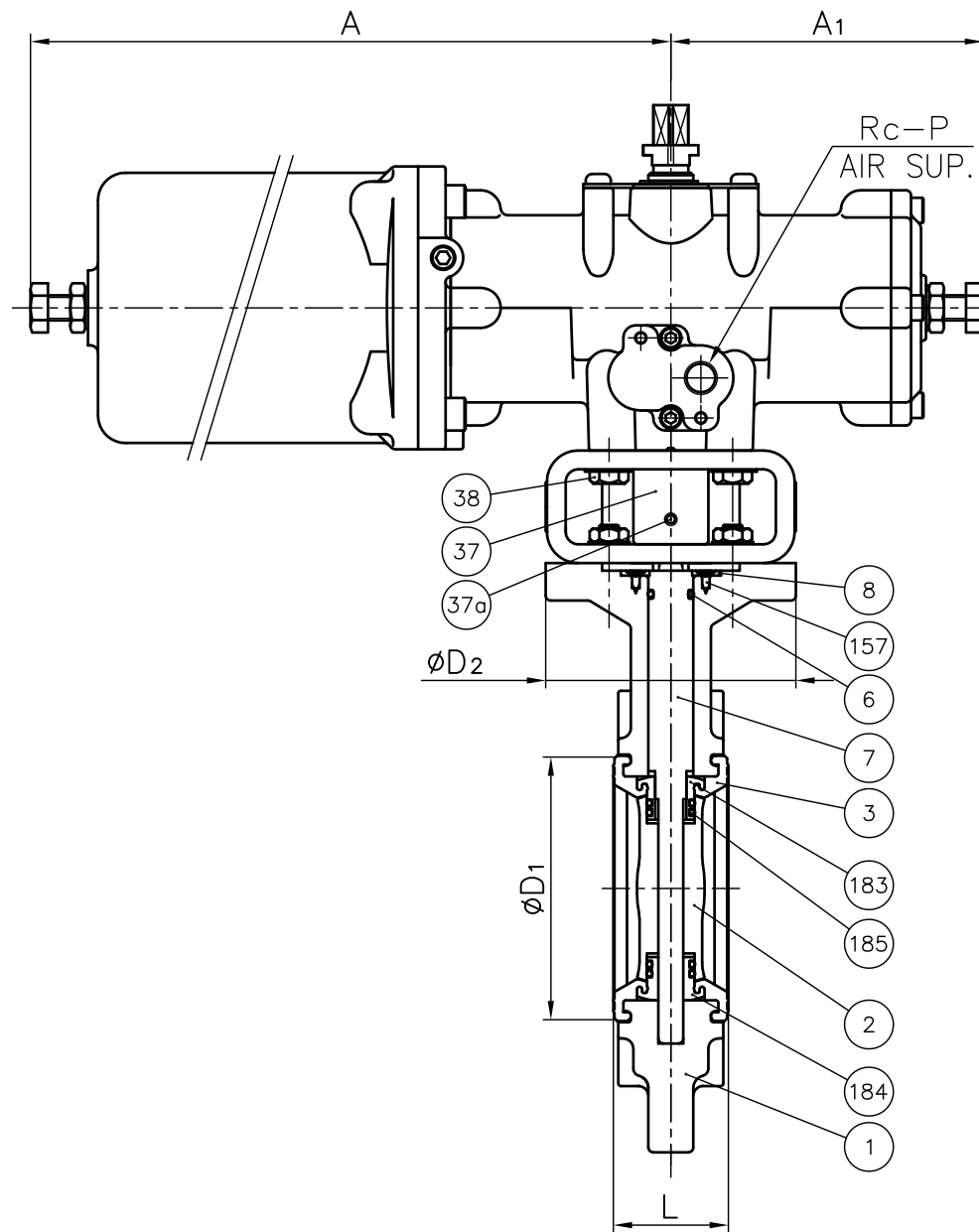
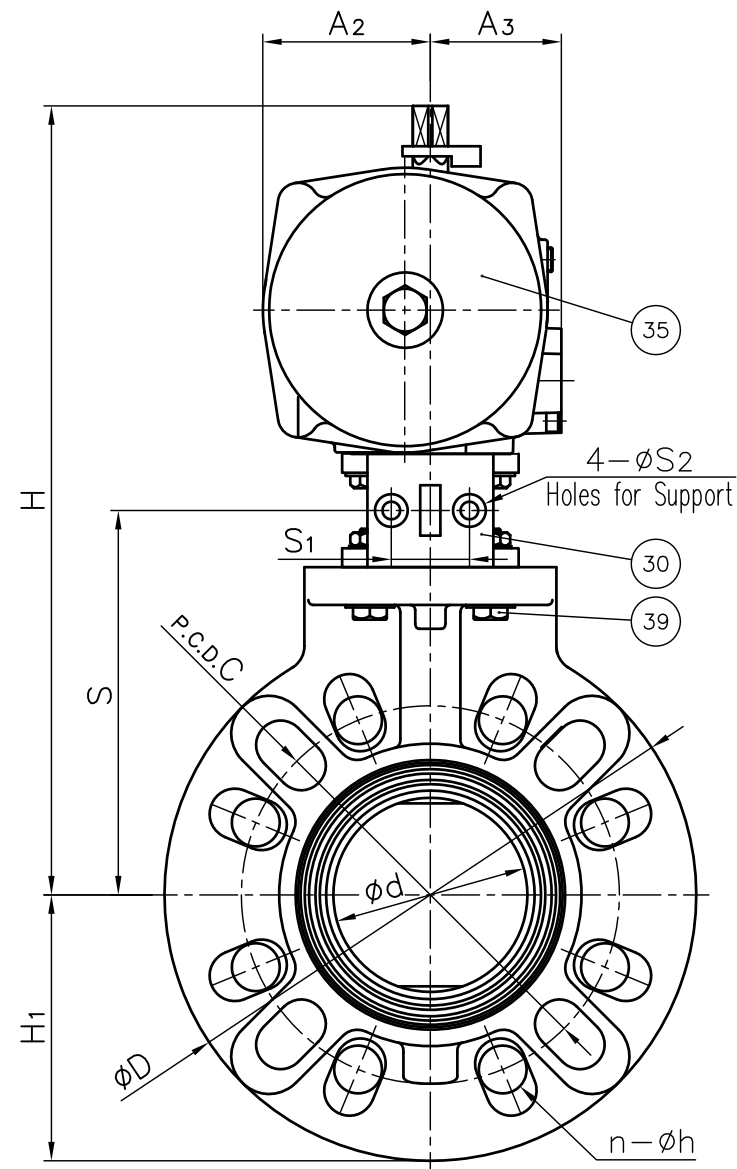
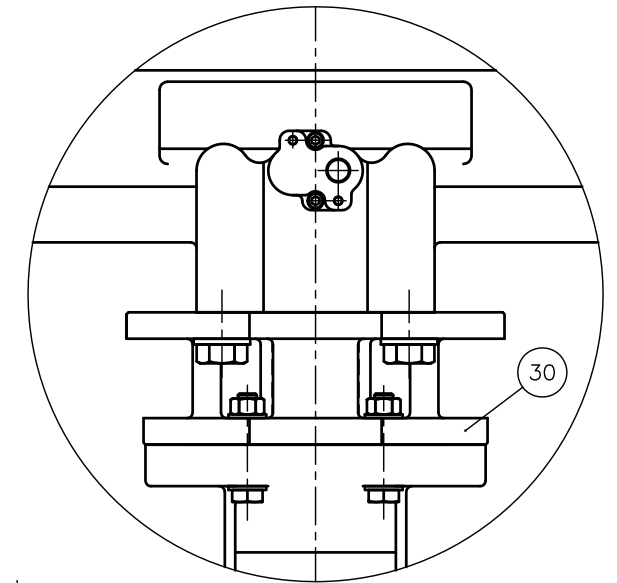


1½" (40mm) – 6" (150mm)



The Shape of Stand  
8" (200mm) – 14" (350mm)



- Note.
- Operating pressure 0.4–0.7MPa G  
Air to open : Air-less shut  
Air to shut : Air-less open
  - The shape and appearance of assembly differ a little with nominal size compared to this drawing.

157	SCREW (F)	4	STAINLESS STEEL (SUS304)	
39	BOLT · NUT (A)	4Sets	STAINLESS STEEL (SUS304)	
38	BOLT (E)	4	STAINLESS STEEL (SUS304)	
37a	SCREW (C)	1	STAINLESS STEEL (SUS304)	
37	JOINT (A)	1	COPPER ALLOY (C3604)	
35	ACTUATOR	1	ALUMINIUM ALLOYS DIE CASTINGS (ADC12) etc.	Used for Size 1½"–12" Meramin Baking Coat.
			CAST IRON (FC200) etc.	Used for Size 14" Acryl Coat.
30	STAND	1	PPG	Used for Size 1½"–6"
			CAST ALUMINIUM ALLOY (AC4C)	Used for Size 8"–14" Epoxy Coat.
8	STEM HOLDER (A)	1	PP	
7	STEM	1	□ STAINLESS STEEL (SUS403) □ STAINLESS STEEL (SUS316)	
185	O-RING (I)	4	□ EPDM □ FKM	
6	O-RING (C)	1	□ Others	
3	SEAT	1	( )	
184	SEAT BUSH (B)	1	BODY / DISC · SEAT BUSH	
183	SEAT BUSH (A)	1	□ PVC / PP □ PP / PP	
2	DISC	1	□ PVDF / PVDF	
1	BODY	1		
No.	DESCRIPTION	QTY.	MATERIAL	REMARKS

DIMENSIONS TABLE

UNIT: inch

NOMINAL SIZE	d	ANSI Class 150			L	D	D <sub>1</sub>	D <sub>2</sub>	H	H <sub>1</sub>	A	A <sub>1</sub>	A <sub>2</sub>	A <sub>3</sub>	S	S <sub>1</sub>	S <sub>2</sub>	P	Actuator Type	
		C	n	h																
1½"	40mm	1.77	3.88	4	0.62	1.54	5.91	2.80	3.94	10.35	2.95	9.45	4.13	2.09	1.97	4.63	1.26	0.28	¼	TA2A-050R
2	50	2.20	4.75	4	0.75	1.65	6.50	3.19	3.94	10.75	3.27	9.45	4.13	2.09	1.97	5.02	1.26	0.28	¼	TA2A-050R
2½	65	2.72	5.50	4	0.75	1.81	7.28	3.74	3.94	11.73	3.66	11.34	4.92	2.62	2.05	5.41	1.26	0.28	¼	TA2A-063R
3	80	3.03	6.00	4	0.75	1.81	8.31	4.13	3.94	12.32	4.17	11.34	4.92	2.62	2.05	6.00	1.26	0.28	¼	TA2A-063R
4	100	4.02	7.50	8	0.75	2.20	9.37	5.28	3.94	14.21	4.69	13.43	5.75	3.25	2.32	6.59	1.26	0.28	¼	TA2A-080R
5	125	5.08	8.50	8	0.88	2.60	10.04	6.65	5.51	16.26	5.04	16.42	7.13	4.06	2.80	7.30	1.65	0.35	¼	TA2A-100R2
6	150	5.91	9.50	8	0.88	2.80	11.22	7.48	5.51	16.85	5.63	16.42	7.13	4.06	2.80	7.89	1.65	0.35	¼	TA2A-100R2
8	200	7.68	11.75	8	0.88	3.43	13.78	9.53	5.51	19.41	6.89	21.34	8.66	4.67	2.91	—	—	—	¼	TA2A-125R2
10	250	9.84	14.25	12	1.00	4.41	16.57	11.89	7.09	22.99	8.31	25.91	10.47	5.87	3.23	—	—	—	¼	TA2A-160R2
12	300	11.93	17.00	12	1.00	5.08	19.21	14.17	9.25	25.24	9.61	25.91	10.47	5.87	3.23	—	—	—	¼	TA2A-160R2
14	350	13.82	18.75	12	1.12	5.08	21.22	15.47	9.25	28.82	10.63	37.13	13.07	7.17	4.65	—	—	—	¾	TA-200R

ITEM	BUTTERFLY VALVE (TYPE 57) PNEUMATIC MODEL TA TYPE ASS'Y □ AIR TO OPEN, □ AIR TO SHUT ANSI Class 150 1½" (40mm) – 14" (350mm)		
DRAWN	M.Oosako	DATE	SCALE
CHECKED	H.Kawano	JUL.22.2011	~
APPROVED	Y.Ozaki	DRAWING No. 57-AA018AE	
SPECIAL ORDER No.	ASAHI YUKIZAI CORPORATION		