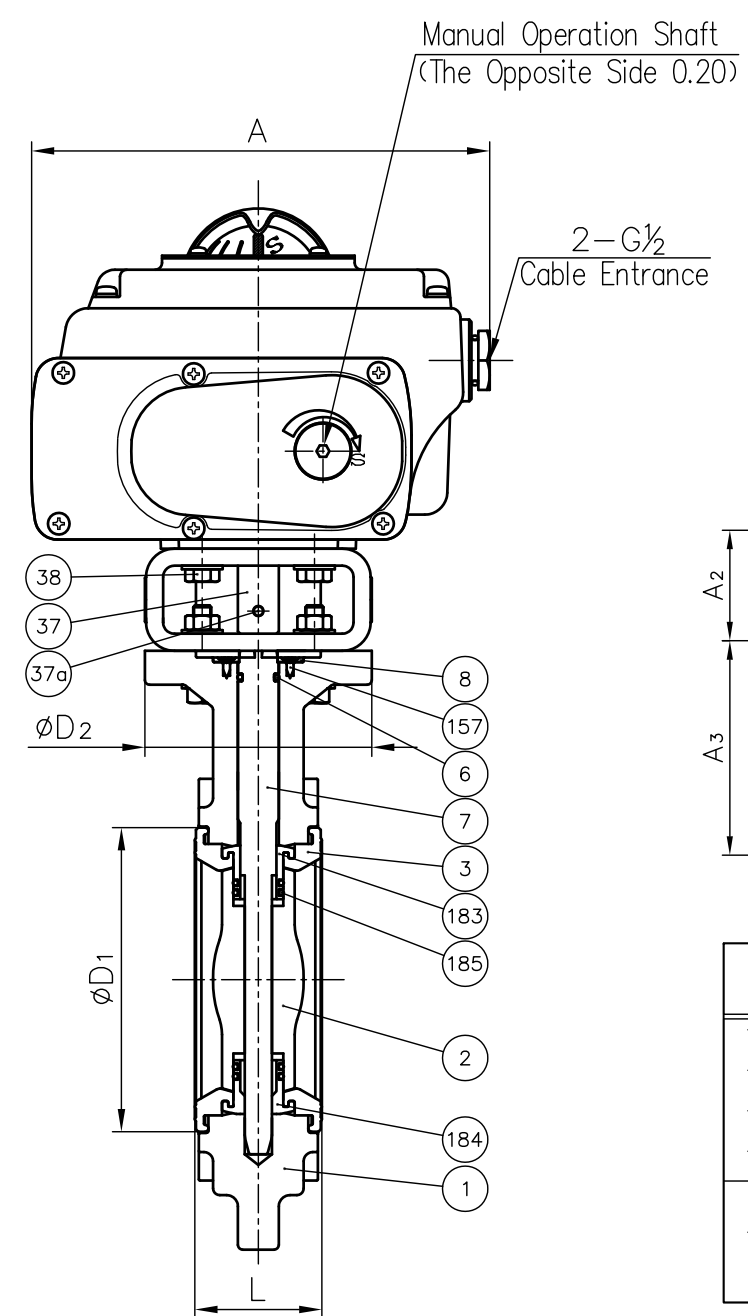
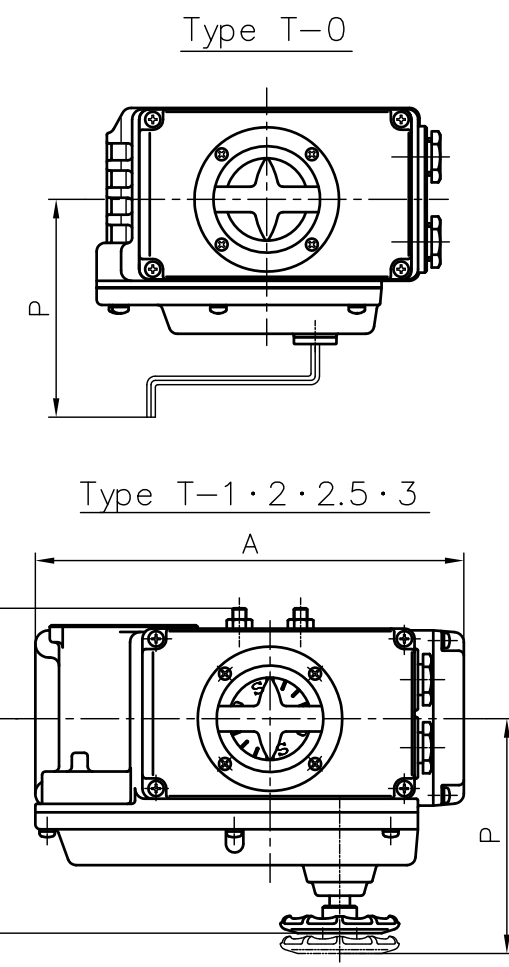


1½" (40mm) – 8" (200mm)

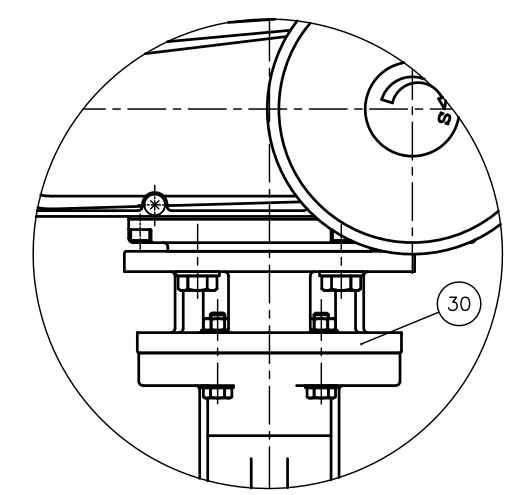


Manual Operation



The shape of Stand

10" (250mm) – 14" (350mm)



NOTE.

1. The shape and appearance of assembly differ a little with nominal size compared to this drawing.
2. An Actuator Type T-0 has manual operating wrench, another types have manual operating wheel.
3. P shows manual operating position.

| Actuator Type | Spec. |
|---------------|---|
| T-0 | <input type="checkbox"/> Standard |
| T-1 | <input type="checkbox"/> with Potentiometer |
| T-2 | <input type="checkbox"/> with Intermediate Limit Switch |
| T-2.5 | <input type="checkbox"/> with Speed Controller |
| T-3 | <input type="checkbox"/> Standard <input type="checkbox"/> with Potentiometer <input type="checkbox"/> with Intermediate Limit Switch |

DIMENSIONS TABLE

Unit : inch

| Nominal Size | d | ANSI Class150 | | | L | D | D1 | D2 | H | H1 | A | A2 | A3 | S | S1 | S2 | P | Actuator Type | |
|--------------|------|---------------|-------|----|------|------|-------|-------|------|-------|-------|-------|------|------|------|------|------|---------------|-------|
| | | C | n | h | | | | | | | | | | | | | | | |
| 1½" | 40mm | 1.77 | 3.88 | 4 | 0.62 | 1.54 | 5.91 | 2.80 | 3.94 | 11.42 | 2.95 | 7.95 | 2.12 | 3.35 | 4.63 | 1.26 | 0.28 | 5.04 | T-0 |
| 2 | 50 | 2.20 | 4.75 | 4 | 0.75 | 1.65 | 6.50 | 3.19 | 3.94 | 11.81 | 3.27 | 7.95 | 2.12 | 3.35 | 5.02 | 1.26 | 0.28 | 5.04 | T-0 |
| 2½" | 65 | 2.72 | 5.50 | 4 | 0.75 | 1.81 | 7.28 | 3.74 | 3.94 | 12.20 | 3.66 | 7.95 | 2.12 | 3.35 | 5.41 | 1.26 | 0.28 | 5.04 | T-0 |
| 3 | 80 | 3.03 | 6.00 | 4 | 0.75 | 1.81 | 8.31 | 4.13 | 3.94 | 12.80 | 4.17 | 7.95 | 2.12 | 3.35 | 6.00 | 1.26 | 0.28 | 5.04 | T-0 |
| 4 | 100 | 4.02 | 7.50 | 8 | 0.75 | 2.20 | 9.37 | 5.28 | 3.94 | 13.39 | 4.69 | 7.95 | 2.12 | 3.35 | 6.59 | 1.26 | 0.28 | 5.04 | T-0 |
| 5 | 125 | 5.08 | 8.50 | 8 | 0.88 | 2.60 | 10.04 | 6.65 | 5.51 | 14.80 | 5.04 | 9.92 | 2.56 | 4.96 | 7.30 | 1.65 | 0.35 | 5.43 | T-1 |
| 6 | 150 | 5.91 | 9.50 | 8 | 0.88 | 2.80 | 11.22 | 7.48 | 5.51 | 16.69 | 5.63 | 12.20 | 3.35 | 6.06 | 7.89 | 1.65 | 0.35 | 6.61 | T-2 |
| 8 | 200 | 7.68 | 11.75 | 8 | 0.88 | 3.43 | 13.78 | 9.53 | 5.51 | 18.03 | 6.89 | 12.20 | 3.35 | 6.06 | 9.11 | 1.65 | 0.35 | 6.61 | T-2.5 |
| 10 | 250 | 9.84 | 14.25 | 12 | 1.00 | 4.41 | 16.57 | 11.89 | 7.09 | 21.30 | 8.31 | 15.28 | 5.35 | 9.67 | - | - | - | 10.55 | T-3 |
| 12 | 300 | 11.93 | 17.00 | 12 | 1.00 | 5.08 | 19.21 | 14.17 | 9.25 | 23.54 | 9.61 | 15.28 | 5.35 | 9.67 | - | - | - | 10.55 | T-3 |
| 14 | 350 | 13.82 | 18.75 | 12 | 1.12 | 5.08 | 21.22 | 15.47 | 9.25 | 24.61 | 10.63 | 15.28 | 5.35 | 9.67 | - | - | - | 10.55 | T-3 |

| No. | DESCRIPTION | QTY. | MATERIAL | REMARKS |
|-----|-----------------|-------|--|---|
| 157 | SCREW (F) | 4 | STAINLESS STEEL (SUS304) | |
| 39 | BOLT · NUT (A) | 4sets | STAINLESS STEEL (SUS304) | |
| 38 | BOLT (E) | 4 | STAINLESS STEEL (SUS304) | |
| 37a | SCREW (C) | 1 | STAINLESS STEEL (SUS304) | |
| 37 | JOINT (A) | 1 | COPPER ALLOY (C3604) | |
| 35 | ACTUATOR | 1 | ALUMINUM ALLOYS DIE CASTINGS (ADC12) etc. | |
| 30 | STAND | 1 | PPG CAST ALUMINUM ALLOY (AC4C) | Used for Size 1½"-8" Used for Size 10"-14" |
| 8 | STEM HOLDER (A) | 1 | PP | |
| 7 | STEM | 1 | <input type="checkbox"/> STAINLESS STEEL (SUS403) <input type="checkbox"/> STAINLESS STEEL (SUS316) | |
| 185 | O-RING (I) | 4 | <input type="checkbox"/> EPDM | |
| 6 | O-RING (C) | 1 | <input type="checkbox"/> FKM <input type="checkbox"/> Others | |
| 3 | SEAT | 1 | () | |
| 184 | SEAT BUSH (B) | 1 | BODY / DISC · SEAT BUSH | |
| 183 | SEAT BUSH (A) | 1 | <input type="checkbox"/> PVC / PP <input type="checkbox"/> PP / PP | |
| 2 | DISC | 1 | <input type="checkbox"/> PP / PP | |
| 1 | BODY | 1 | <input type="checkbox"/> PVDF / PVDF | |

| | | | |
|----------------------------------|---|---------------------------|-------|
| ITEM | BUTTERFLY VALVE (TYPE 57) ELECTRIC MODEL T TYPE ASS'Y ANSI Class 150 40mm (1½") ~ 350mm (14") | | |
| DRAWN | K.Sakiyama | DATE | SCALE |
| CHECKED | H.Kawano | NOV.30.2014 | ~ |
| APPROVED | T.Iwamoto | DRAWING No. 57-AE001AE | |
| SPECIAL ORDER No. | | | |
| ASAHI YUKIZAI CORPORATION | | | |