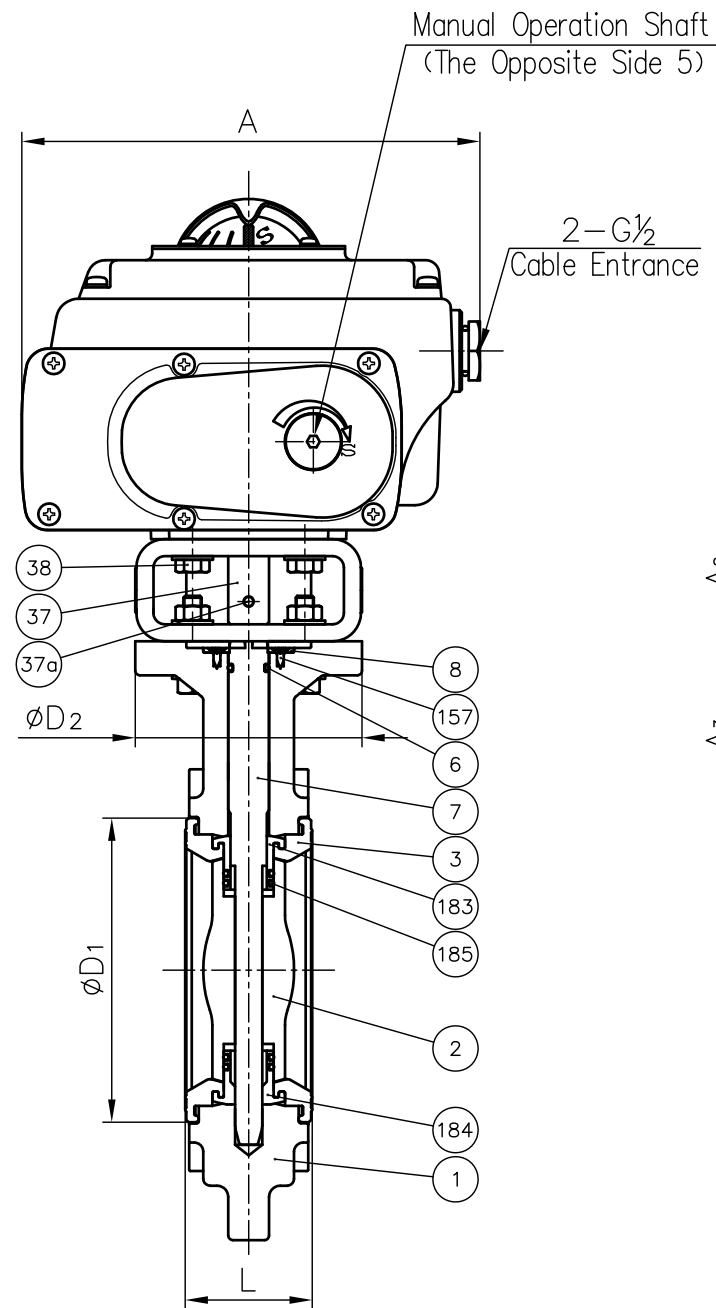
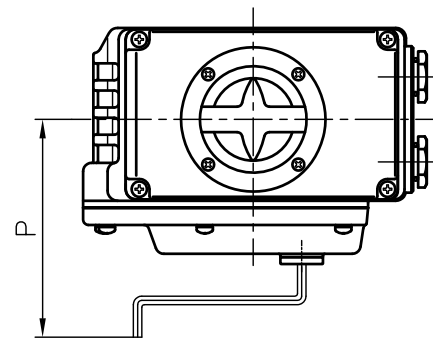


40mm (1½") – 200mm (8")

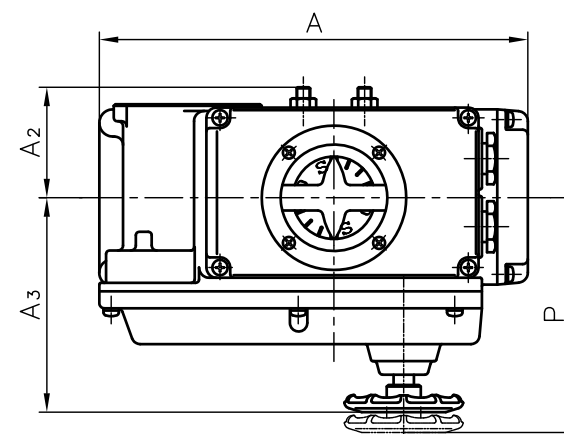


Manual Operation

Type T-0

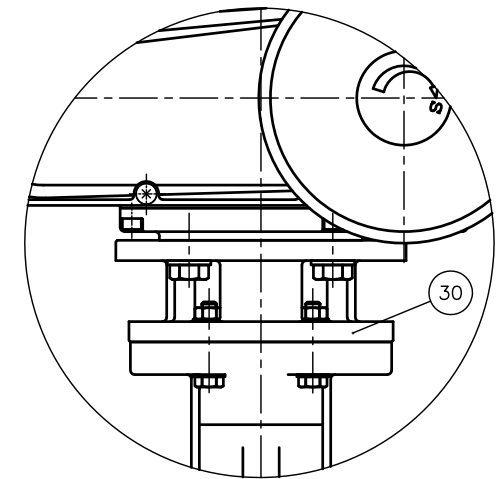


Type T-1 · 2 · 2.5 · 3



The shape of Stand

250mm (10") – 350mm (14")



NOTE.

1. The shape and appearance of assembly differ a little with nominal size compared to this drawing.
2. An Actuator Type T-0 has manual operating wrench, another types have manual operating wheel.
3. P shows manual operating position.

Actuator Type	Spec.
T-0	<input type="checkbox"/> Standard
T-1	<input type="checkbox"/> with Potentiometer
T-2	<input type="checkbox"/> with Intermediate Limit Switch
T-2.5	<input type="checkbox"/> with Speed Controller
T-3	<input type="checkbox"/> Standard <input type="checkbox"/> with Potentiometer <input type="checkbox"/> with Intermediate Limit Switch

157	SCREW (F)	4	STAINLESS STEEL (SUS304)	
39	BOLT·NUT (A)	4sets	STAINLESS STEEL (SUS304)	
38	BOLT (E)	4	STAINLESS STEEL (SUS304)	
37a	SCREW (C)	1	STAINLESS STEEL (SUS304)	
37	JOINT (A)	1	COPPER ALLOY (C3604)	
35	ACTUATOR	1	ALUMINUM ALLOYS DIE CASTINGS (ADC12) etc.	
30	STAND	1	PPG	Used for Size 40mm-200mm
			CAST ALUMINUM ALLOY (AC4C)	Used for Size 250mm-350mm
8	STEM HOLDER (A)	1	PP	
7	STEM	1	<input type="checkbox"/> STAINLESS STEEL (SUS403) <input type="checkbox"/> STAINLESS STEEL (SUS316)	
185	O-RING (I)	4	<input type="checkbox"/> EPDM	
6	O-RING (C)	1	<input type="checkbox"/> FKM	
3	SEAT	1	<input type="checkbox"/> Others	
184	SEAT BUSH (B)	1	BODY / DISC·SEAT BUSH	
183	SEAT BUSH (A)	1	<input type="checkbox"/> PVC / PP	
2	DISC	1	<input type="checkbox"/> PP / PP	
1	BODY	1	<input type="checkbox"/> PVDF / PVDF	
No.	DESCRIPTION	QTY.	MATERIAL	REMARKS

DIMENSIONS TABLE

Unit : mm

Nominal Size	d	JIS 5K			JIS 10K			L	D	D ₁	D ₂	H	H ₁	A	A ₂	A ₃	S	S ₁	S ₂	P	Actuator Type
		C	n	h	C	n	h														
40mm 1½"	45	95	4	15	105	4	19	39	150	71	100	290	75	202	53.8	85	117.5	32	7	128	T-0
50 2"	56	105	4	15	120	4	19	42	165	81	100	300	83	202	53.8	85	127.5	32	7	128	T-0
65 2½"	69	130	4	15	140	4	19	46	185	95	100	310	93	202	53.8	85	137.5	32	7	128	T-0
80 3"	77	145	4	19	150	8	19	46	211	105	100	325	106	202	53.8	85	152.5	32	7	128	T-0
100 4"	102	165	8	19	175	8	19	56	238	134	100	340	119	202	53.8	85	167.5	32	7	128	T-0
125 5"	129	200	8	19	210	8	23	66	255	169	140	376	128	252	65	126	185.5	42	9	138	T-1
150 6"	150	230	8	19	240	8	23	71	285	190	140	424	143	310	85	154	200.5	42	9	168	T-2
200 8"	195	280	8	23	290	12	23	87	350	242	140	458	175	310	85	154	231.5	42	9	168	T-2.5
250 10"	250	345	12	23	355	12	25	112	421	302	180	541	211	388	136	245.5	-	-	-	268	T-3
300 12"	303	390	12	23	400	16	25	129	488	360	235	598	244	388	136	245.5	-	-	-	268	T-3
350 14"	351	435	12	25	445	16	25	129	539	393	235	625	270	388	136	245.5	-	-	-	268	T-3

ITEM	BUTTERFLY VALVE (TYPE 57) ELECTRIC MODEL T TYPE ASS'Y <input type="checkbox"/> JIS 5K, <input type="checkbox"/> JIS 10K 40mm (1½") ~ 350mm (14")		
DRAWN	K.Sakiyama	DATE	SCALE
CHECKED	H.Kawano	NOV.30.2014	~
APPROVED	T.Iwamoto	DRAWING No. 57-AE001JE	
SPECIAL ORDER No.			
ASAHI YUKIZAI CORPORATION			