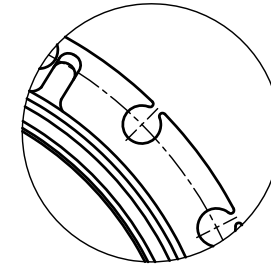
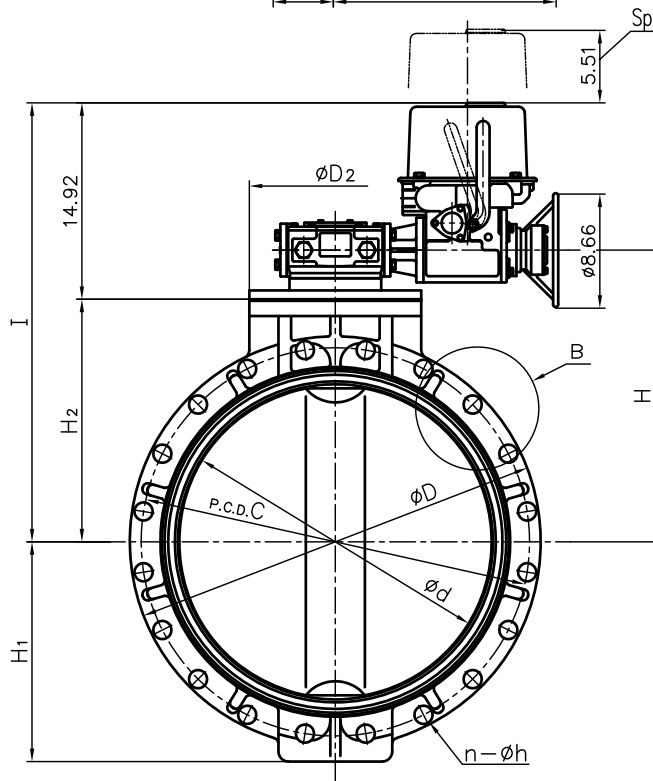


24" (600mm) : PVDF
ANSI
The Shape of The Piping Bolt Hole

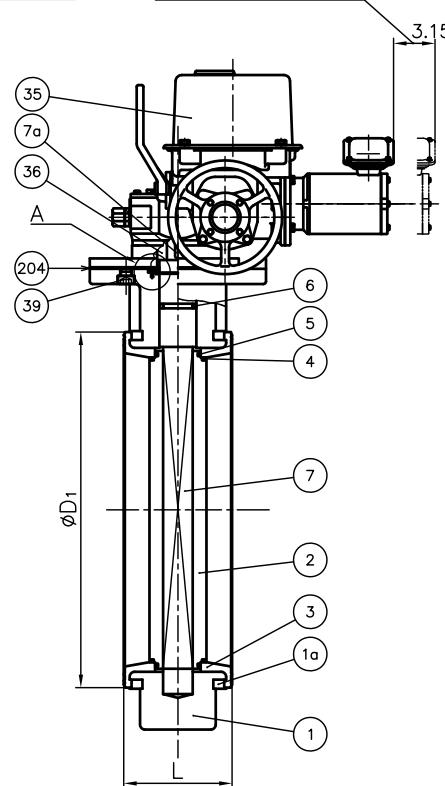


Part "B"



Space for Switch Cover Removal

Space for Moter Removal



DIMENSIONS TABLE

Unit : inch

Nominal Size	d	ANSI Class 150				D		D ₁	D ₂	L	H	H ₁	H ₂	I	Actuator Type	Motor Rating Output (Kw)
		C	n	h	PP	PVDF										
18" 450mm	17.80	22.75	16	1.25	24.92	24.80	20.67	13.39	7.05	18.43	12.40	14.69	29.61	LTRM-01/BRM-2 or LTRH-01/BRM-2 (AUTO-RECOVERY TYPE) (MANUAL RECOVERY TYPE)	0.4	
20 500	19.76	25.00	20	1.25	26.89	26.77	22.64	13.39	7.48	19.61	13.78	15.87	30.79			
24 600	23.74	29.50	20	1.38	31.22	31.10	27.01	13.39	8.23	22.17	16.69	18.43	33.35			

NOTE. The shape and appearance of assembly differ a little with nominal size compared to this drawing.

No.	DESCRIPTION	QTY.	MATERIAL	REMARKS
204	GASKET (O)	1	EPDM	
157	SCREW (F)	4	STAINLESS STEEL (SUS304)	
1a	RING	2	STEEL (SS400) with Epoxy Powder Coat.	
39	BOLT (K)	4	STAINLESS STEEL (SUS304)	
36	STEM BUSH	1	CARBON STEEL (S45C)	
35	ACTUATOR	1	DUCTILE IRON (FCD450) etc.	Epoxy coat.
8	STEM HOLDER (A)	1	PP	
7b	SNAPRING	1	STAINLESS STEEL (SUS304)	
7a	KEY (A)	1	CORBON STEEL (S45C)	
7	STEM	1	STAINLESS STEEL (SUS403)	
6	O-RING (C)	1		
5	O-RING (B)	2	<input type="checkbox"/> EPDM <input type="checkbox"/> FKM <input type="checkbox"/> Others	
4	O-RING (A)	2		
3	SEAT	1		
2	DISC	1	<input type="checkbox"/> BODY/DISC <input type="checkbox"/> PP/PP	
1	BODY	1	<input type="checkbox"/> PVDF/PVDF	
No.	DESCRIPTION	QTY.	MATERIAL	REMARKS

ITEM	BUTTERFLY VALVE (TYPE75) ELECTRIC ACTUATED S TYPE ASS'Y □AUTO-RECOVERY TYPE, □MANUAL RECOVERY TYPE ANSI Class 150 18" (450mm) ~24" (600mm)		
DRAWN	E.Ozaki	DATE	SCALE
CHECKED	H.Kawano	JAN.31.2018	
APPROVED	H.Kourogi	DRAWING No. BF-AE004AE	
SPECIAL ORDER No.	ASAHI YUKIZAI CORPORATION		