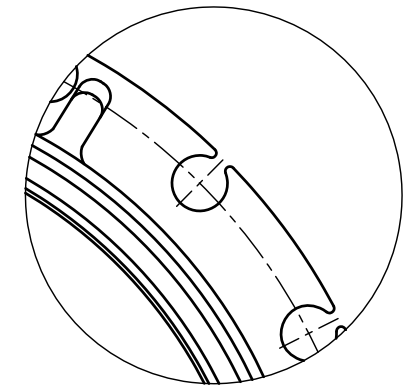
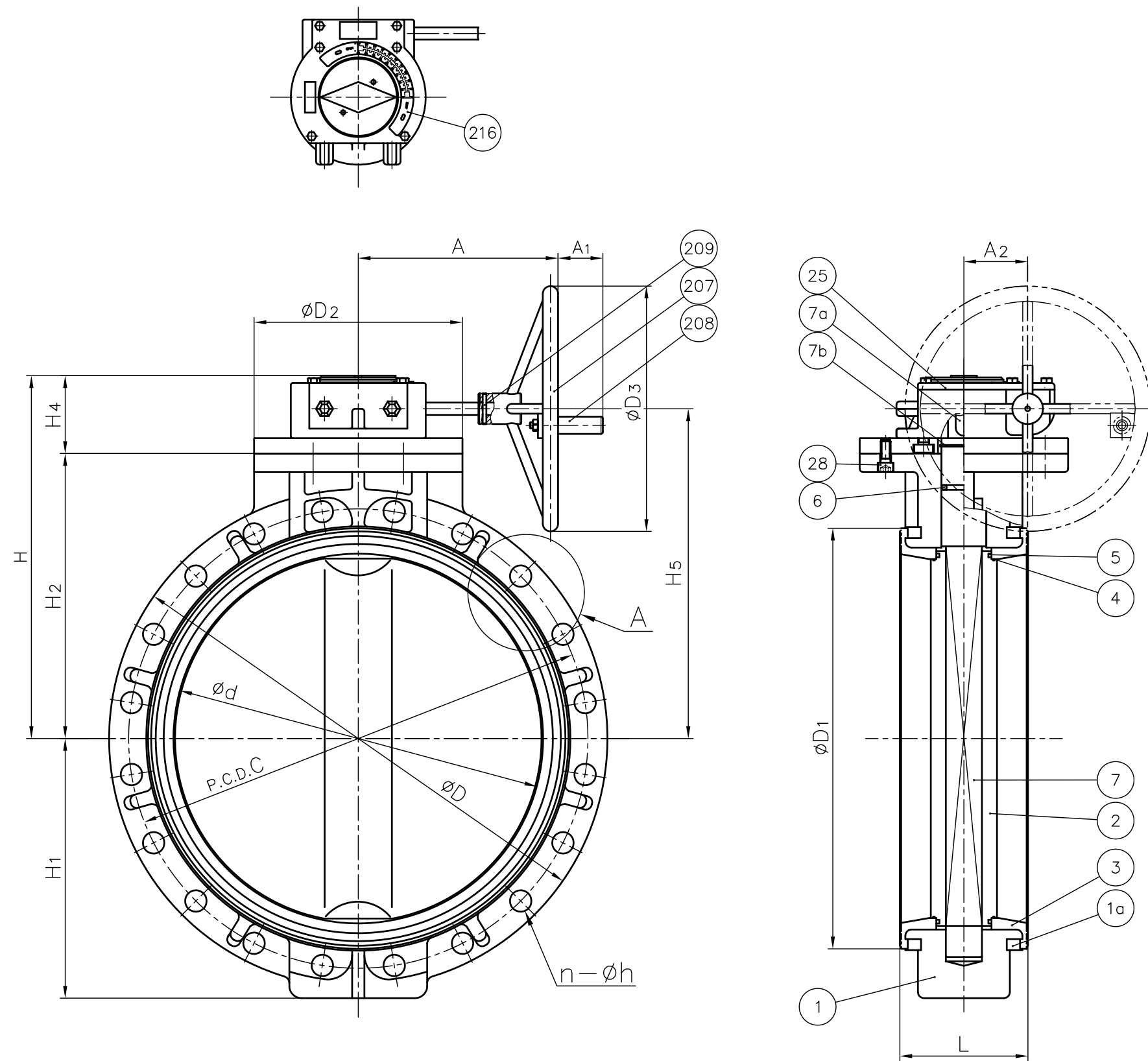


24" (600mm) : PVDF  
ANSI  
The shape of the piping bolt hole.



Part "A"

1a	RING	2	CHROMIZED STEEL (SS400) with Epoxy Powder Coat.	
216	SCALE PLATE	1	STAINLESS STEEL (SUS304)	
209	SPRING PIN	1	STAINLESS STEEL (SUS304)	
208	HANDLE GRIP	1	NYLON etc.	
207	HANDLE (C)	1	CAST IRON (FC250)	Polyurethane Coat.
28	BOLT (C)	4	STAINLESS STEEL (SUS304)	
25	GEAR BOX	1	CAST IRON (FC250) etc.	Polyurethane Coat. (Rotork)
7b	SNAP RING	1	STAINLESS STEEL (SUS304)	18" (450mm)
7a	KEY (A)	1	CORBON STEEL (S45C)	
7	STEM	1	□STAINLESS STEEL (SUS403) □STAINLESS STEEL (SUS316)	
6	O-RING (C)	1	□EPDM	
5	O-RING (B)	2	□FKM	
4	O-RING (A)	2	□Others	
3	SEAT	1	( )	
2	DISC	1	BODY/DISC □PP/PP	
1	BODY	1	□PVDF/PVDF	
No.	DESCRIPTION	QTY.	MATERIAL	REMARKS

DIMENSIONS TABLE

Nominal Size	d	ANSI Class 150				D		D <sub>1</sub>	D <sub>2</sub>	D <sub>3</sub>	L	H	H <sub>1</sub>	H <sub>2</sub>	H <sub>4</sub>	H <sub>5</sub>	A	A <sub>1</sub>	A <sub>2</sub>	Number of handle rotation	GEAR BOX TYPE
		C	n	h	PP	PVDF															
18" 450mm	17.80	22.75	16	1.25	24.92	24.80	20.67	13.39	15.75	7.05	19.57	12.40	14.57	5.00	17.44	12.83	2.97	4.11	13.75	AB1250N	
20 500	19.76	25.00	20	1.25	26.89	26.77	22.64	13.39	15.75	7.48	20.75	13.78	15.75	5.00	18.62	12.83	2.97	4.11	13.75		
24 600	23.74	29.50	20	1.38	31.22	31.10	27.01	13.39	15.75	8.23	23.31	16.69	18.31	5.00	21.18	12.83	2.97	4.11	13.75		

Note. The shape and appearance of assembly differ a little with nominal size compared to this drawing.

ITEM	BUTTERFLY VALVE (TYPE75) ASS'Y SIDE GEAR TYPE : ANSI Class 150 18" (450mm) ~24" (600mm)		
DRAWN	E.Ozaki	DATE	SCALE
CHECKED	H.Kawano	AUG.7.2014	~
APPROVED	K.Kamita	DRAWING No. BF-M1010AE	
SPECIAL ORDER No.			
<b>ASAHI YUKIZAI CORPORATION</b>			