

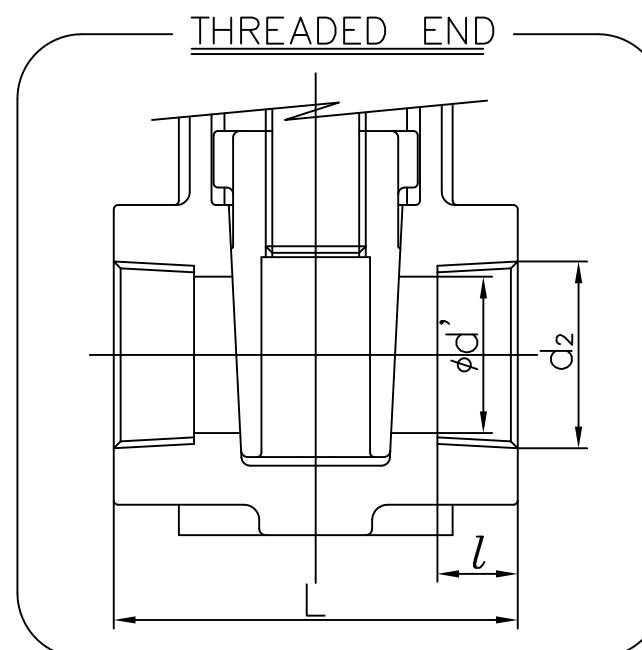
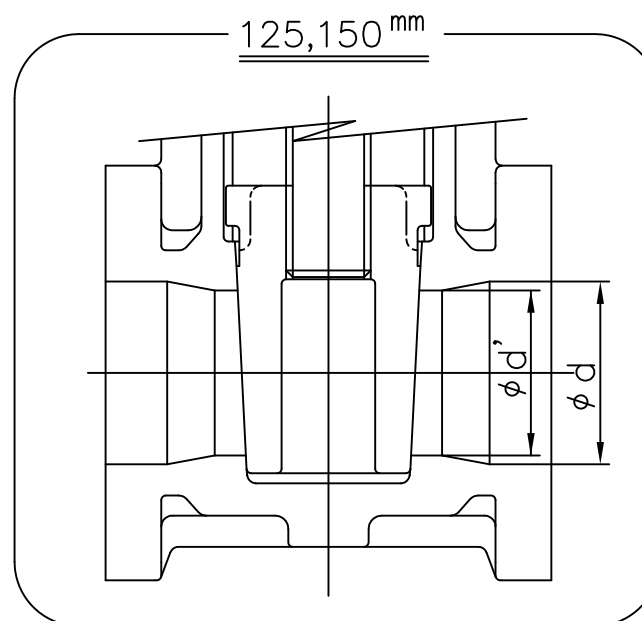
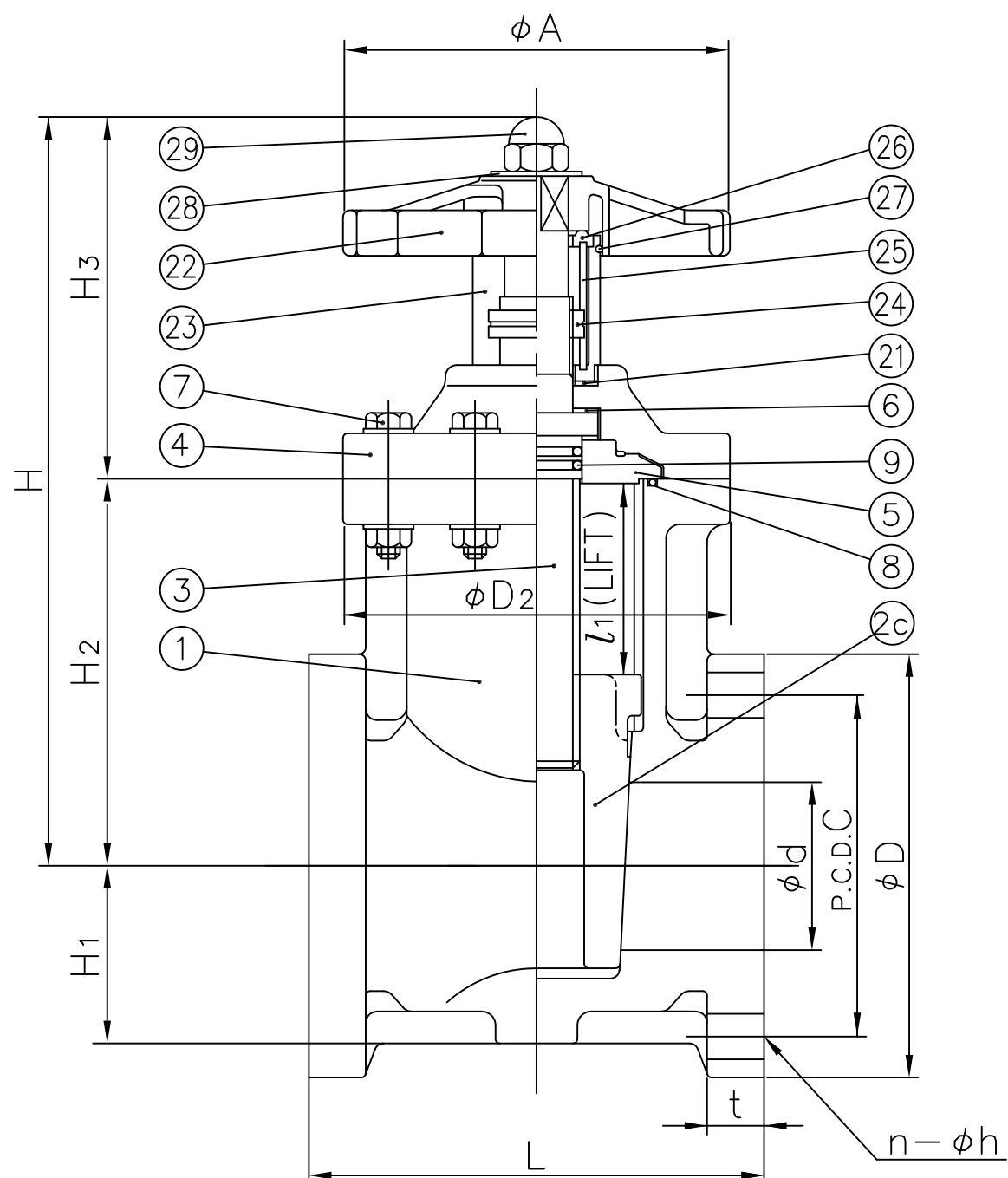
DIMENSIONS TABLE

UNIT: mm

NOMINAL SIZE	d	d'	FLANGE END												THREAD END			D <sub>2</sub>	l <sub>1</sub>	H	H <sub>1</sub>	H <sub>2</sub>	H <sub>3</sub>	A	
			JIS 5K						JIS 10K						d <sub>2</sub>	l	L								
			D	C	n	h	L	t	D	C	n	h	L	t											
30 <sup>mm</sup> 1 1/4"	40	30	—	—	—	—	—	—	—	135	100	4	19	165	22	Rc 1 1/4	22	115	120	49	239	50	107	132	120
40 1 1/2"	40	40	120	95	4	15	165	22	140	105	4	19	165	22	Rc 1 1/2	25	115	120	49	239	50	107	132	120	
50 2"	50	50	130	105	4	15	160	23	155	120	4	19	180	23	Rc 2	28	130	130	60	270	58	134	136	130	
65 2 1/2"	65	—	155	130	4	15	170	24	175	140	4	19	190	24	—	—	—	155	75	302	68	152	150	155	
75(80) 3"	75	—	180	145	4	19	200	25	185	150	8	19	200	25	—	—	—	170	85	325	77	170	155	170	
100 4"	100	—	200	165	8	19	230	27	210	175	8	19	230	27	—	—	—	195	110	370	89	207	163	195	
125 5"	125	110	235	200	8	19	260	27	250	210	8	23	260	27	—	—	—	235	117	407	89	227	180	235	
150 6"	150	130	265	230	8	19	270	28	280	240	8	23	270	28	—	—	—	270	138	445	102	263	182	270	

NOTE. The shape and appearance of assembly differ a little with nominal size compared to this drawing.

FLANGED END



29	BOX NUT	1	STAINLESS STEEL	SUS304
28	WASHER	1	PVC	
27	O-RING (G)	1	EPDM	
26	GUIDE PIN HOLDER	1	PVC	
25	GUIDE PIN	1	STAINLESS STEEL	SUS304
24	INDICATING RING	1	PVC	
23	INDICATING COVER	1	PC	
22	HAND WHEEL	1	PP	
21	PACKING	1	EPDM	
9	O-RING (C)	2	□EPDM □others	
8	O-RING (B)	1	( )	
7	BOLT&NUT	—	STAINLESS STEEL	SUS304
6	THRUST RING	1set(2)	PP	
5	BONNET (B)	1	HI-PVC	
4	BONNET (A)	1	HI-PVC	
3	STEM	1	PVC	
2c	GATE (A)	1	PP	
1	BODY	1	HI-PVC	
No.	DESCRIPTION	No.REQ'D	MATERIAL	REMARKS

GATE VALVE (TYPE O) ASS'Y  
POPULAR TYPE (PP PLUG TYPE): HAND WHEEL MOD  
JIS: FLANGED END (□ JIS10K, □ JIS5K),  
□ THREADED END  
40mm (1 1/2 ") ~ 150 (6")

DRAWN	H.Mitoma	DATE	SCALE
CHECKED	A.Kuroki	AUG.21.2001	~
APPROVED	N.Sano	DRAWING No.	
SPECIAL ORDER No.	CG-60001JE	ASAHI YUKIZAI CORPORATION	