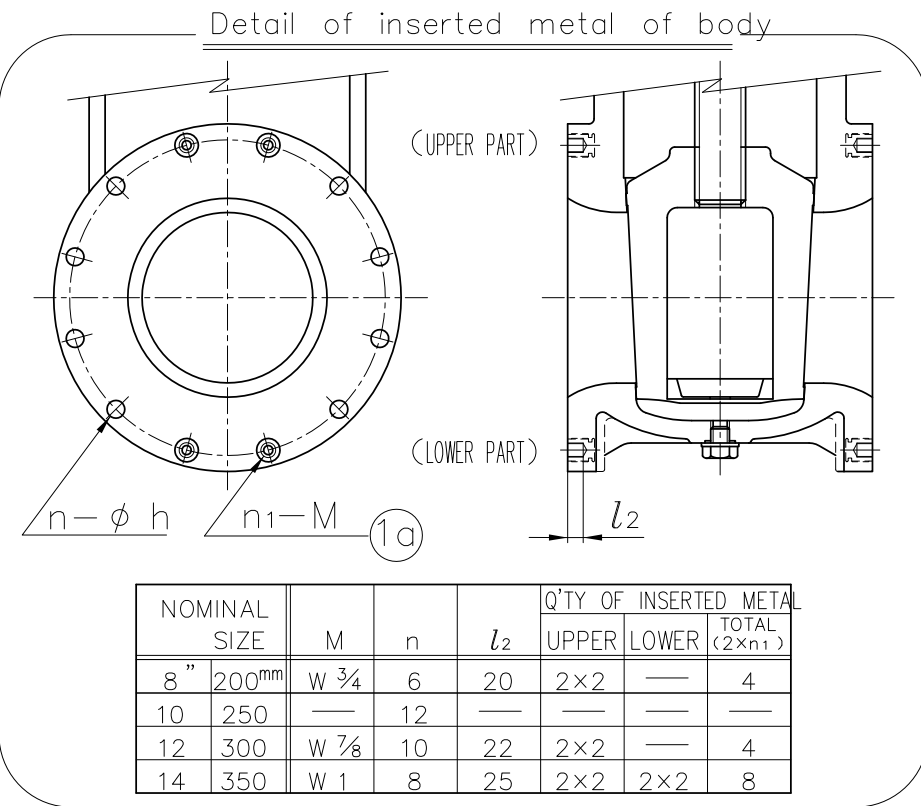
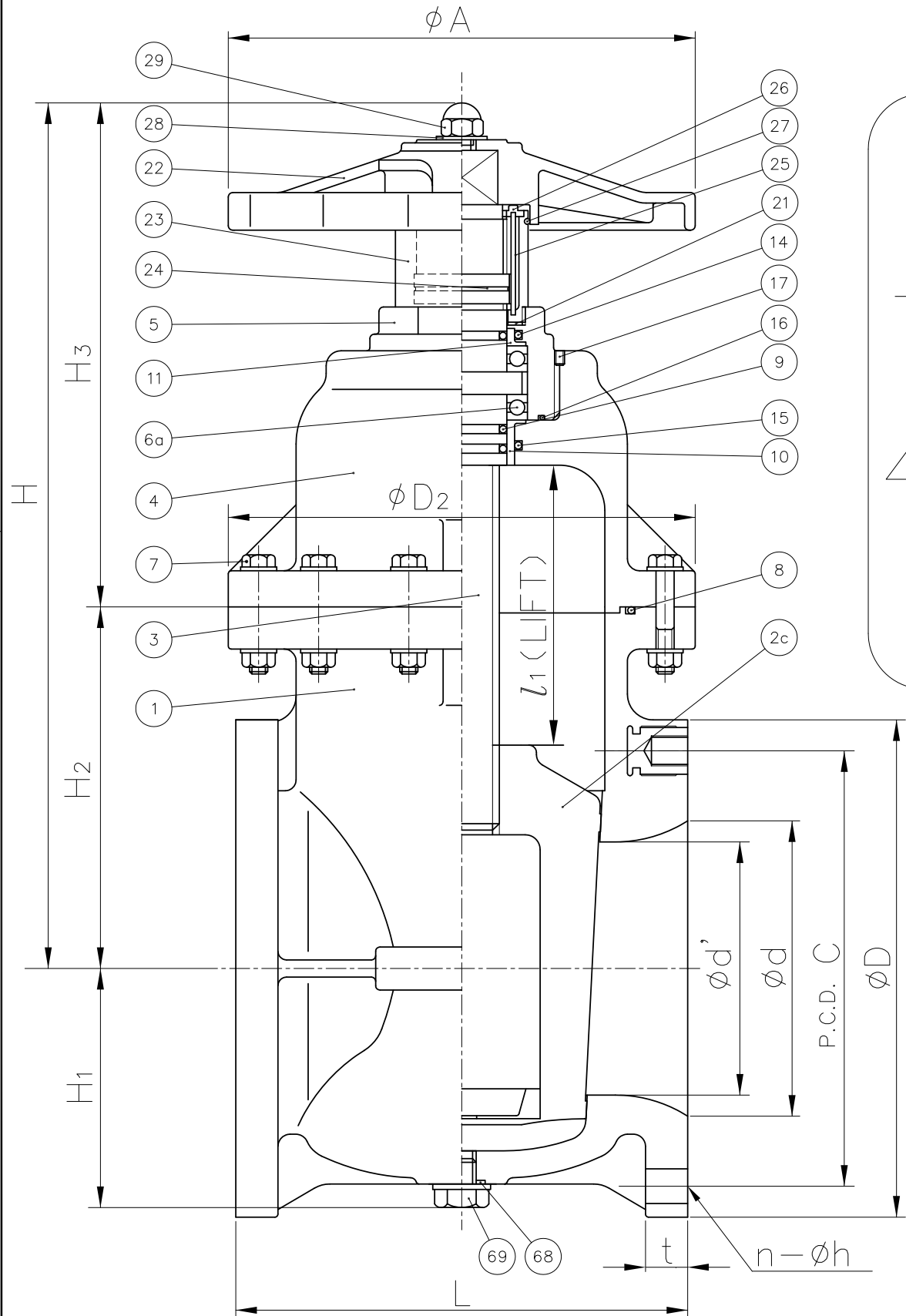


DIMENSIONS TABLE

UNIT: inch

NOMINAL SIZE	d	d'	ANSI Class 150							L	t	D <sub>2</sub>	l <sub>1</sub>	H	H <sub>1</sub>	H <sub>2</sub>	H <sub>3</sub>	A
			D	C	n	h	n <sub>1</sub>	M										
8" 200mm	7.72	6.61	13.50	11.75	6	0.88	2	W 3/4	11.50	1.30	12.20	7.09	22.72	6.30	9.45	13.27	12.20	
10 250	9.72	8.27	16.00	14.25	12	1.00	—	—	14.96	1.18	14.17	8.90	27.17	7.56	10.63	16.54	14.17	
12 300	11.73	10.04	19.00	17.00	10	1.00	2	W 7/8	15.75	1.22	16.14	10.75	31.50	8.35	12.60	18.90	16.14	
14 350	13.70	11.69	21.00	18.75	8	1.12	4	W 1	16.93	1.26	17.32	12.56	35.83	9.72	12.21	23.62	17.91	

NOTE. The shape and appearance of assembly differ a little with nominal size compared to this drawing.



NOMINAL SIZE	M	n	l <sub>2</sub>	Q'TY OF INSERTED METAL		
				UPPER	LOWER	TOTAL (2Xn <sub>1</sub> )
8" 200mm	W 3/4	6	20	2x2	—	4
10 250	—	12	—	—	—	—
12 300	W 7/8	10	22	2x2	—	4
14 350	W 1	8	25	2x2	2x2	8

69	PLUG	1	HI-PVC	
68	GASKET (B)	1	EPDM	
29	BOX NUT	1	STAINLESS STEEL	SUS304
28	WASHER	1	PVC	
27	O-RING (G)	1	EPDM	
26	GUIDE PIN HOLDER	1	PVC	
25	GUIDE PIN	1	STAINLESS STEEL	SUS304
24	INDICATING RING	1	PVC	
23	INDICATING COVER	1	PC	
22	HAND WHEEL	1	PP	
21	PACKING	1	EPDM	
17	SET SCREW (A)	1	STAINLESS STEEL	SUS304
11	BUSHING (B)	1	PP	
10	BUSHING (A)	1	PP	
16	O-RING (D)	1		
15	O-RING (F)	1	□EPDM	
14	O-RING (E)	1	□others	
9	O-RING (C)	3	( )	
8	O-RING (B)	1		
7	BOLT & NUT	—	STAINLESS STEEL	SUS304
6a	THRUST BEARING	1set (2)	HIGH CARBON CHROMIUM BEARING	SUJ2
5	BONNET (B)	1	HI-PVC	
4	BONNET (A)	1	HI-PVC	
3	STEM	1	PVC	
2c	GATE (A)	1	PP	
1a	INSERTED METAL OF BODY	—	COPPER ALLOY	C3604
1	BODY	1	HI-PVC	
No.	DESCRIPTION	No.REQ'D	MATERIAL	REMARKS

GATE VALVE (TYPE O ASS'Y)  
 POPULAR TYPE (PP PLUG TYPE): HAND WHEEL MODEL  
 ANSI Class 150 : FLANGED END  
 8" (200mm) ~ 14" (350mm)

DRAWN	H.Kawano	DATE	MAY.13.2008	SCALE	~
CHECKED	I.Sano	DRAWING No.			
APPROVED	K.Oonisi	CG-60002AE			
SPECIAL ORDER No.	ASAHI YUKIZAI CORPORATION				