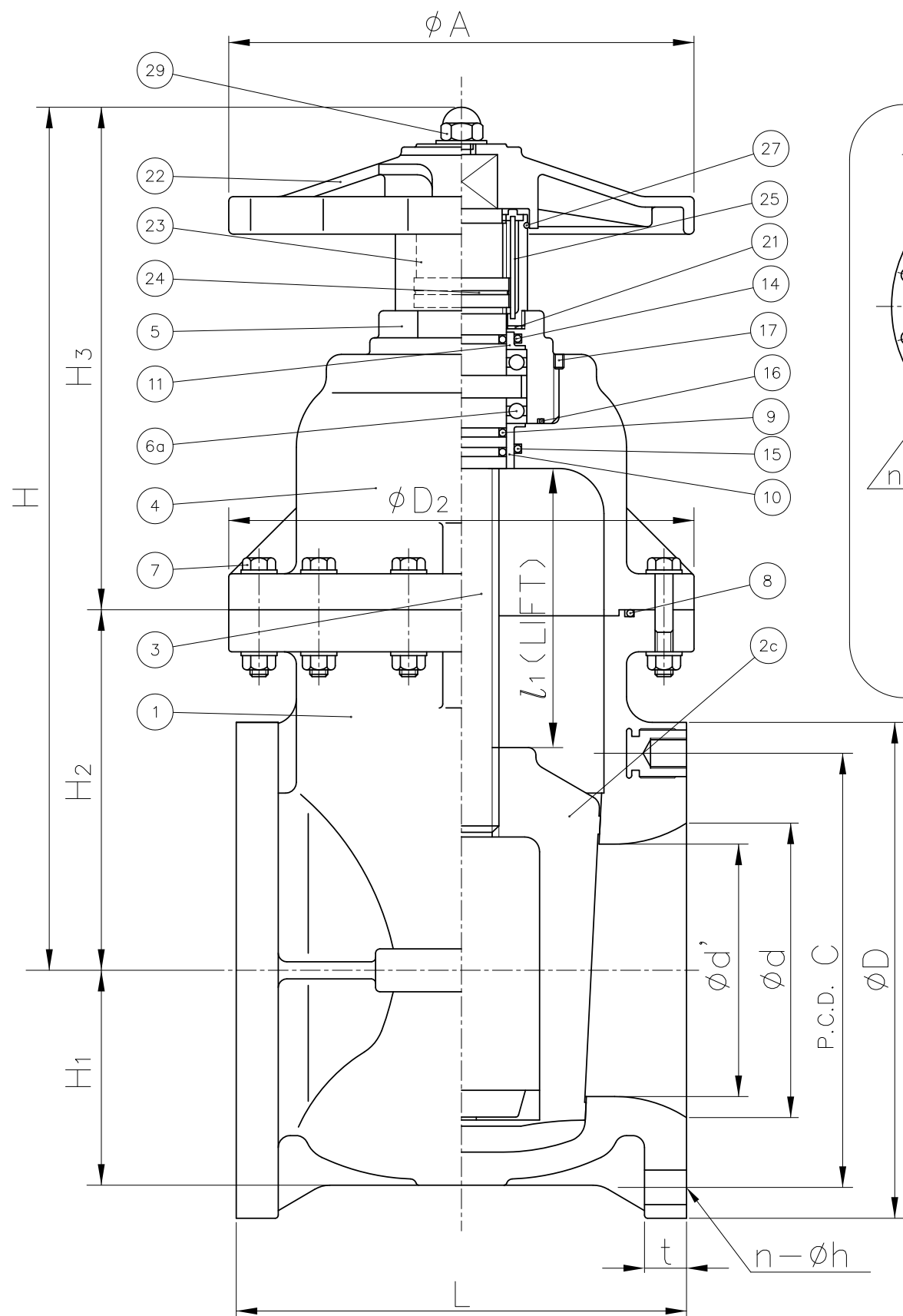


DIMENSIONS TABLE

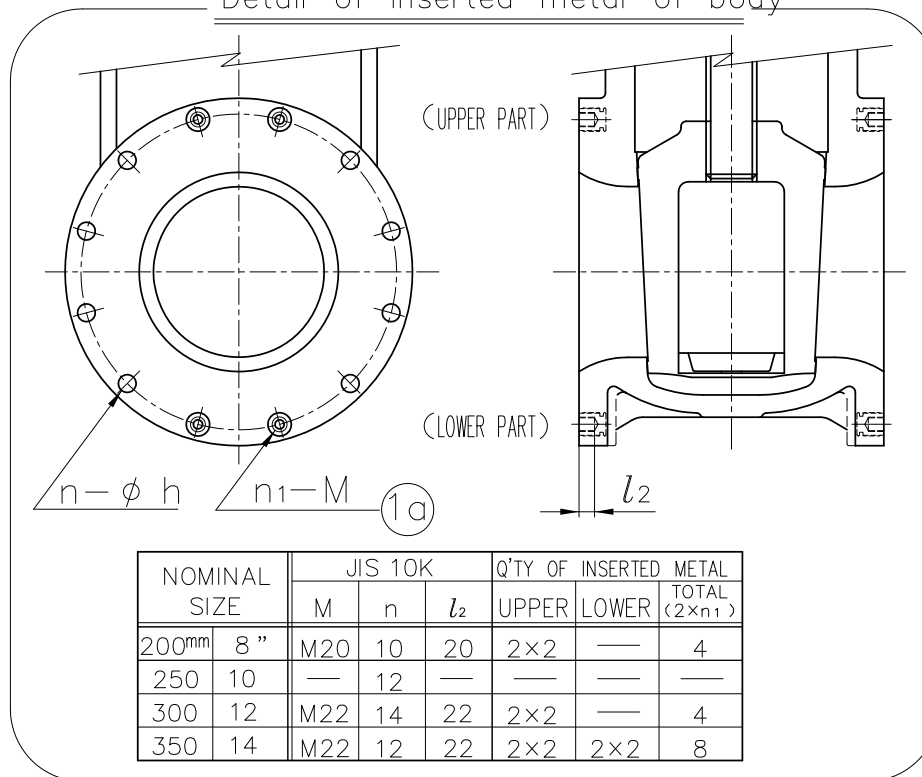
UNIT: mm

NOMINAL SIZE	d	d'	JIS 10K									D ₂	l ₁	H	H ₁	H ₂	H ₃	A
			D	C	n	h	n ₁	M	L	t								
200mm 8"	196	168	330	290	10	23	2	M20	290	28	310	180	577	143	240	337	310	
250 10	247	210	400	355	12	25	—	—	380	30	360	226	690	175	270	420	360	
300 12	298	255	445	400	14	25	2	M22	400	31	410	273	800	195	320	480	410	
350 14	348	297	490	445	12	25	4	M22	430	32	440	319	910	230	310	600	455	

NOTE. The shape and appearance of assembly differ a little with nominal size compared to this drawing.



Detail of inserted metal of body



NOMINAL SIZE	JIS 10K			Q'TY OF INSERTED METAL		
	M	n	l ₂	UPPER	LOWER	TOTAL (2x n ₁)
200mm 8"	M20	10	20	2x2	—	4
250 10	—	12	—	—	—	—
300 12	M22	14	22	2x2	—	4
350 14	M22	12	22	2x2	2x2	8

29	BOX NUT	1	STAINLESS STEEL	SUS304
28	WASHER	1	PVC	
27	O-RING (G)	1	EPDM	
26	GUIDE PIN HOLDER	1	PVC	
25	GUIDE PIN	1	STAINLESS STEEL	SUS304
24	INDICATING RING	1	PVC	
23	INDICATING COVER	1	PC	
22	HAND WHEEL	1	PP	
21	PACKING	1	EPDM	
17	SET SCREW (A)	1	STAINLESS STEEL	SUS304
11	BUSHING (B)	1	PP	
10	BUSHING (A)	1	PP	
16	O-RING (D)	1	□EPDM □others	
15	O-RING (F)	1		
14	O-RING (E)	1		
9	O-RING (C)	3	()	
8	O-RING (B)	1		
7	BOLT&NUT	—	STAINLESS STEEL	SUS304
6a	THRUST BEARING	1set (2)	HIGH CARBON CHROMIUM BEARING	SUJ2
5	BONNET (B)	1	HI-PVC	
4	BONNET (A)	1	HI-PVC	
3	STEM	1	PVC	
2c	GATE (A)	1	PP	
1a	INSERTED METAL OF BODY	—	COPPER ALLOY	C3604
1	BODY	1	HI-PVC	

No.	DESCRIPTION	No.REQ'D	MATERIAL	REMARKS
-----	-------------	----------	----------	---------

GATE VALVE (TYPE O ASS'Y)
POPULAR TYPE (PP PLUG TYPE): HAND WHEEL MODEL
JIS: FLANGED END (JIS10K)
200mm (8") ~ 350mm (14")

DRAWN	H.Kawano	DATE	MAY.13.2008	SCALE	~
CHECKED	I.Sano	DRAWING No.			
APPROVED	K.Oonisi	CG-60002JE			
SPECIAL ORDER No.	ASAHI YUKIZAI CORPORATION				