

DIMENSIONS TABLE

Nominal Size	d	JIS 10K					L	t	D ₁	H	H ₁	A	A ₁	A ₂	A ₃	P
		D	C	n	h											
15mm	1/2"	16	95	70	4	15	160	12	102	337	51	259	130	150	70	1/4
25	1	25	125	90	4	19	184	14	116	368	63	259	130	150	70	1/4

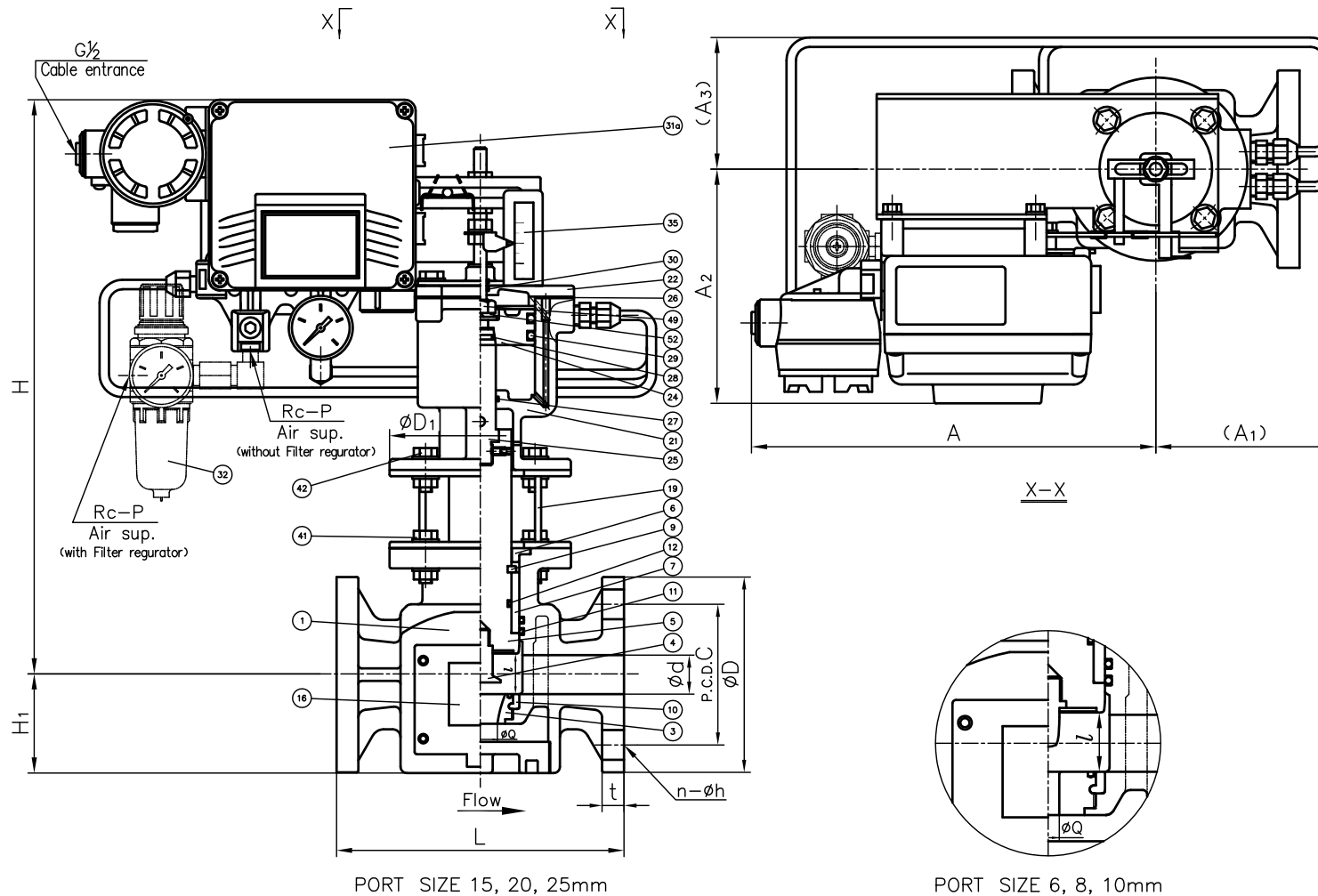
Unit: mm

NOTE. 1. Operating Pressure: 0.4MPa G
 2. The shape and appearance of assembly differ a little with nominal size compared to this drawing.

LIFT (L) TABLE

Unit: mm

Size	Quality	Port Size ϕQ					
		6	8	10	15	20	25
15mm	EQ%	17	16	17	18		
	Linear	16	16	15	16		
25mm	EQ%	16.5	16	16	16	22	24
	Linear	16	16	14	15	19.5	25



52	SPRING WASHER	1	SPRING STEEL	SUP
49	NUT (A)	1	STAINLESS STEEL	SUS304
42	BOLT · NUT (B)	4sets	STAINLESS STEEL	SUS304
41	BOLT · NUT (A)	4sets	STAINLESS STEEL	SUS304
35	INDICATOR SEAL	1	ACRYL	
32	FILTER REGULATOR	-	ZINC ALLOYS DIE CASTINGS (ZDC2) etc.	□ARU2-02-8A-G □nothing
31a	E-P POSITIONER	1	ALUMINUM ALLOYS DIE CASTINGS (ADC12) etc.	YT-1000L
30	O-RING (H)	2	NBR	
29	O-RING (G)	2	NBR	
28	O-RING (F)	1	NBR	
27	O-RING (E)	1	NBR	
26	PACKING (A)	1	NBR	
25	STEM	1	STENLESS STEEL	SUS304
24	PISTON (B)	1	CAST ALUMINUM ALLOY (AC5A)	
22	CYLINDER COVER	1	CAST ALUMINUM ALLOY (AC4C)	epoxy coat.
21	CYLINDER	1	CAST ALUMINUM ALLOY (AC4C)	epoxy coat.
19	STAND	1	STENLESS STEEL	SUS304
16	NAME PLATE	2	ALUMINIUM	
12	O-RING (B)	1	□EPDM □Vifion® F	
11	O-RING (A)	2	□Vifion® C □Others	
10	SEAT	1	()	
9	STOP RING	1	PVDF	
7	BUSH	1	PTFE	
6	PISTON HOLDER	1	PVC	
5	PISTON (A)	1	PVC	
4	PLUG	1	PVC	
3	ORIFICE TUBE	1	PVC	
1	BODY	1	PVC	

No.	DESCRIPTION	QTY.	MATERIAL	REMARKS
ITEM	CONTROL VALVE PNEUMATIC ACTUATED MODEL TYPE AV ASSY DOUBLE ACTING JIS 10K : 15mm (1/2") · 25mm (1") with E-P POSITIONER, FILTER REGULATOR			
DRAWN	E.Emmei	DATE	SCALE	
CHECKED	H.Kawano	JUL.25.2010		
APPROVED	K.Koushou	DRAWING No.		
SPECIAL ORDER No.	CV-AA024JE			

ASAHI YUKIZAI CORPORATION