

DIMENSIONS TABLE

Nominal Size	d	ANSI Class 150					L	t	D ₁	D ₂	H	H ₁	A	A'	A ₁	A ₂	A ₃	P
		D	C	n	h													
15mm 1/2"	16	89	60.5	4	16	160	12	102	142	435	51	185	256	94	144	90	1/4	
25	25	108	79.5	4	16	184	14	116	142	472	63	185	256	94	144	90	1/4	

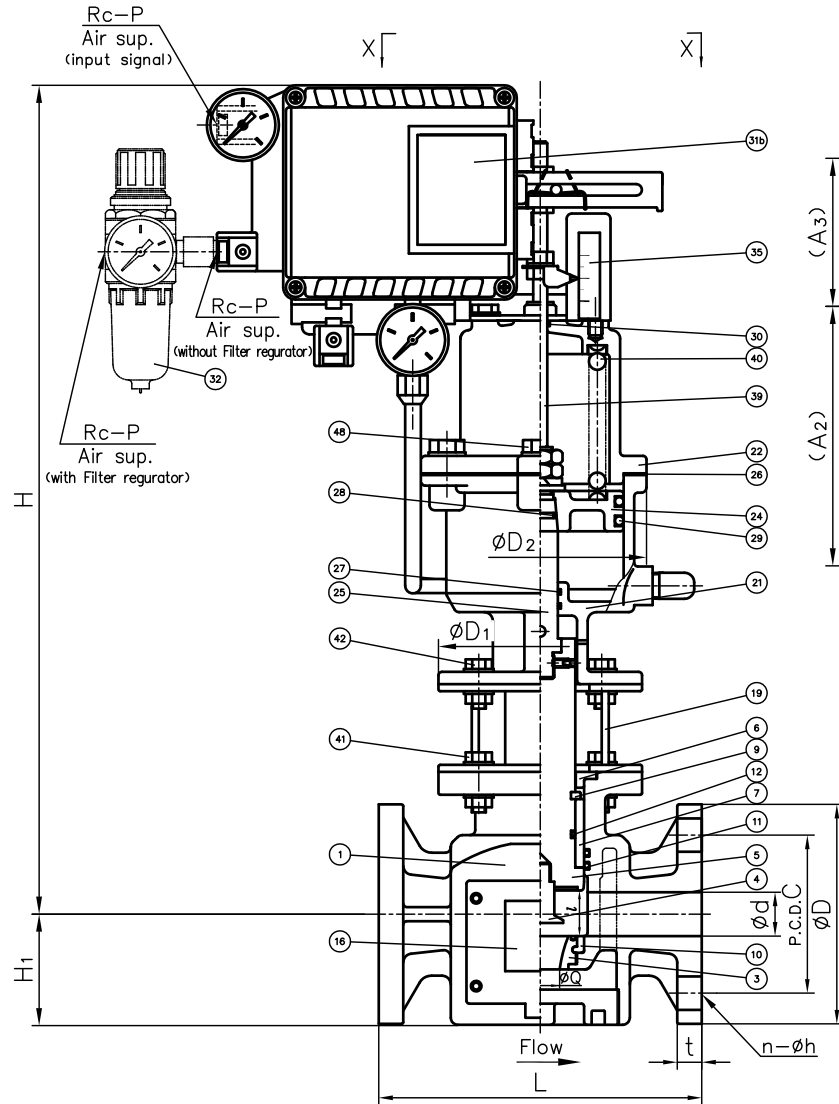
Unit: mm

LIFT (L) TABLE

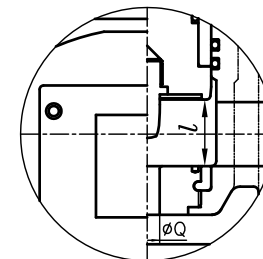
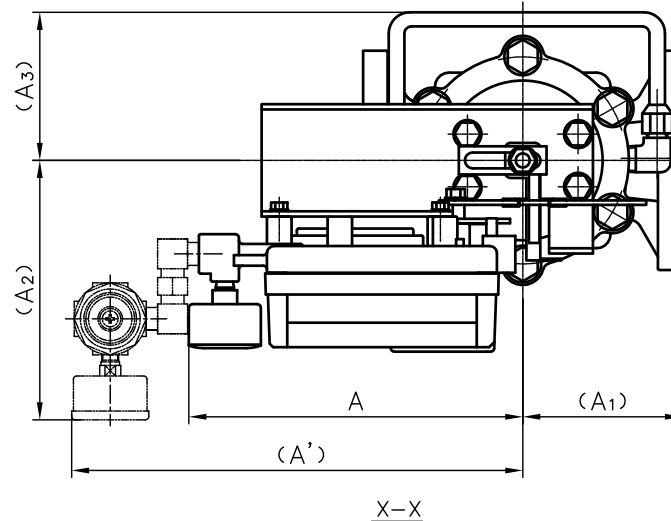
Unit: mm

Size	Quality	Port Size ϕQ					
		6	8	10	15	20	25
15mm	EQ%	17	16	17	18		
	Linear	16	16	15	16		
25mm	EQ%	16.5	16	16	16	22	24
	Linear	16	16	14	15	19.5	25

NOTE. 1. Operating Pressure: 0.4MPa G
2. The shape and appearance of assembly differ a little with nominal size compared to this drawing.



PORT SIZE 15, 20, 25mm



PORT SIZE 6, 8, 10mm

48	BOLT (G)	6	STAINLESS STEEL	SUS304
42	BOLT · NUT (B)	4sets	STAINLESS STEEL	SUS304
41	BOLT · NUT (A)	4sets	STAINLESS STEEL	SUS304
40	SPRING	1	SWOSM-B	
39	INDICATOR ROD	1	STAINLESS STEEL	SUS304
35	INDICATOR SEAL	1	ACRYL	
32	FILTER REGULATOR	-	ZINC ALLOYS DIE CASTINGS (ZDC2) etc.	□ARU2-02-8A-G □nothing
31b	P-P POSITIONER	1	ALUMINUM ALLOYS DIE CASTINGS (ADC12) etc.	YT-1200L
30	O-RING (H)	1	NBR	
29	O-RING (G)	2	NBR	
28	O-RING (F)	1	NBR	
27	O-RING (E)	2	NBR	
26	PACKING (A)	1	NBR	
25	STEM	1	STAINLESS STEEL	SUS304
24	PISTON (B)	1	CAST ALUMINUM ALLOY (AC5A)	
22	CYLINDER COVER	1	CAST ALUMINUM ALLOY (AC4C)	epoxy coat.
21	CYLINDER	1	CAST ALUMINUM ALLOY (AC4C)	epoxy coat.
19	STAND	1	STAINLESS STEEL	SUS304
16	NAME PLATE	2	ALUMINIUM	
12	O-RING (B)	1	□EPDM □Viflon® F	
11	O-RING (A)	2	□Viflon® C □others	
10	SEAT	1	()	
9	STOP RING	1	PVDF	
7	BUSH	1	PTFE	
6	PISTON HOLDER	1	PVC	
5	PISTON (A)	1	PVC	
4	PLUG	1	PVC	
3	ORIFICE TUBE	1	PVC	
1	BODY	1	PVC	
No.	DESCRIPTION	QTY.	MATERIAL	REMARKS

ITEM	CONTROL VALVE PNEUMATIC ACTUATED MODEL TYPE AV ASS'Y AIR TO OPEN ANSI Class 150 : 15mm (1/2") · 25mm (1") with P-P POSITIONER, FILTER REGULATOR		
DRAWN	M.Iwakiri	DATE	SCALE
CHECKED	H.Kawano	AUG.20.2019	~
APPROVED	K.Koushou	DRAWING No.	
SPECIAL ORDER No.		CV-AA027AEm	△
ASAHI YUKIZAI CORPORATION			