

DIMENSIONS TABLE

Unit: mm

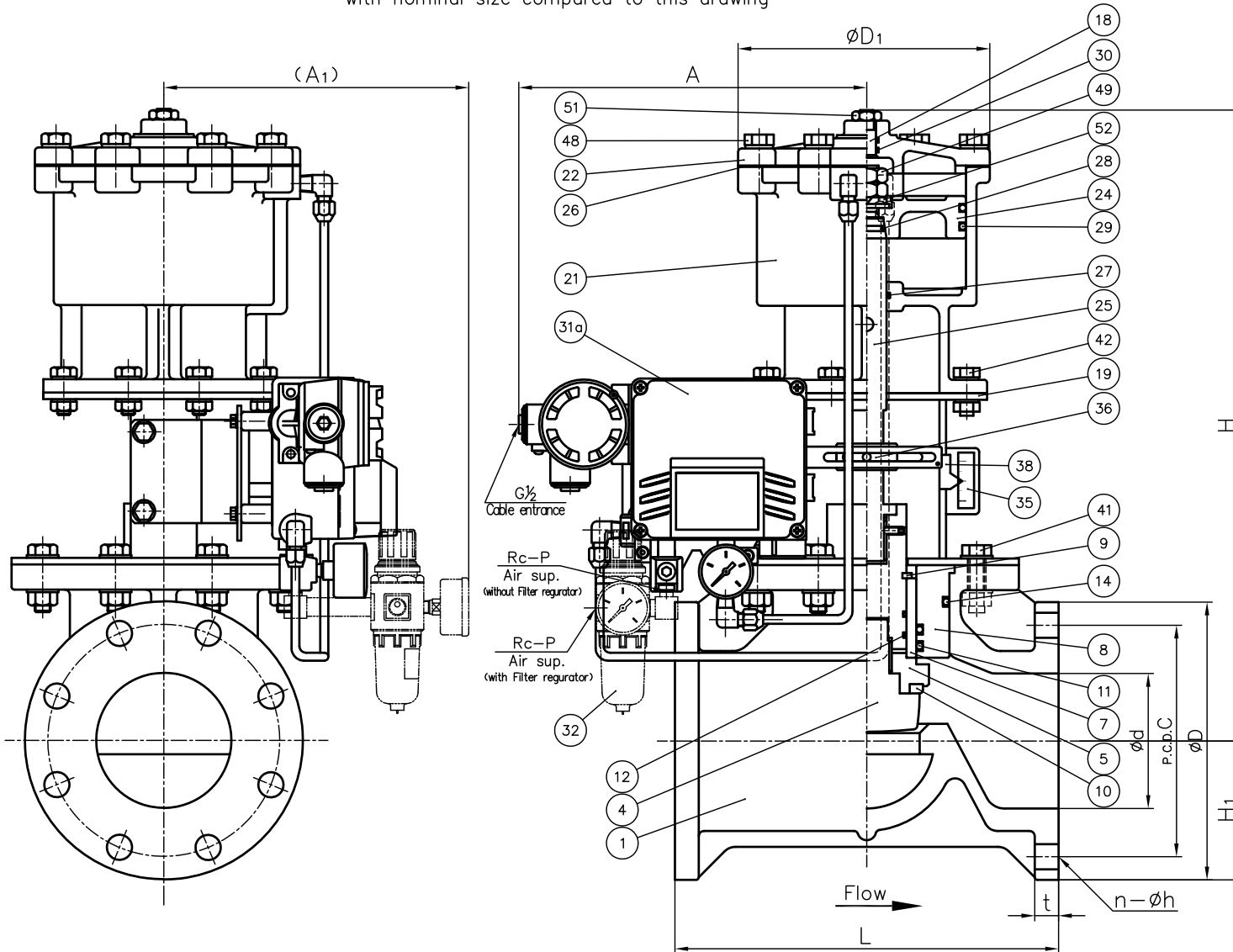
Nominal Size	d	JIS 10K					D <sub>1</sub>	L	t	H	H <sub>1</sub>	A	A <sub>1</sub>	P
		D	C	n	h									
50mm 2"	52	155	120	4	19	147	200	16	381	77.5	256	229	1/4	
80	3	78	185	150	8	19	147	240	18	420	92.5	261	230	1/4
100	4	100	210	175	8	19	208	290	18	477	105	266	230	1/4

NOTE. 1. Operating pressure : 0.4MPa G  
 2. The shape and appearance of assembly differ a little with nominal size compared to this drawing

LIFT TABLE

Unit:mm

Nominal Size	PORT SIZE	PORT SIZE	
		S	L
50mm 2"	26	28	
80	30	28	
100	32	28	



52	SPRING WASHER	1	SPRING STEEL	SUP
51	NUT (C)	1	STAINLESS STEEL	SUS304
49	NUT (A)	2	STAINLESS STEEL	SUS304
48	BOLT (G)	-	STAINLESS STEEL	SUS304
42	BOLT · NUT (B)	-	STAINLESS STEEL	SUS304
41	BOLT · NUT (A)	-	STAINLESS STEEL	SUS304
38	INDICATOR	1	STAINLESS STEEL	SUS304
36	COUPLING	1	COPPER ALLOY	C3604
35	INDICATOR SEAL	1	ACRYL	
32	FILTER REGULATOR	-	ZINC ALLOYS DIE CASTING (ZDC2) etc.	□ ARU2-02-8A-G □ nothing
31a	E-P POSITIONER	1	ALUMINUM ALLOYS DIE CASTINGS (ADC12) etc.	YT-1000L
30	O-RING (H)	2	NBR	
29	O-RING (G)	2	NBR	
28	O-RING (F)	1	NBR	
27	O-RING (E)	1	NBR	
26	PACKING	1	NBR	
25	STEM	1	STAINLESS STEEL	SUS304
24	PISTON (B)	1	CAST ALUMINIUM ALLOY	AC5A
22	CYLINDER COVER	1	CAST ALUMINIUM ALLOY (AC4C)	epoxy coat.
21	CYLINDER	1	CAST ALUMINIUM ALLOY (AC4C)	epoxy coat.
19	STAND	1	STAINLESS STEEL	SUS304
18	SEAL ROD	1	STAINLESS STEEL	SUS304
14	O-RING (D)	1	□ EPDM □ Viflon® F □ Viflon® C □ others	
12	O-RING (B)	2		
11	O-RING (A)	2		
10	SEAT	1	( )	
9	STOP RING	1	PVDF	
8	BUSH GUIDE	1	PVC	
7	BUSH	1	PTFE	
5	PISTON (A)	1	PVC	
4	PLUG	1	PVC	
1	BODY	1	PVC	
No.	DESCRIPTION	QTY.	MATERIAL	REMARKS

ITEM	CONTROL VALVE PNEUMATIC ACTUATED MODEL TYPE AV ASSY DOUBLE ACTING JIS 10K : 50mm (2") ~ 100mm (4") with E-P POSITIONER, FILTER REGULATOR		
DRAWN	E.Emmei	DATE	SCALE
CHECKED	H.Kawano	JUL.24.2018	
APPROVED	K.Koushou	DRAWING No.	
SPECIAL ORDER No.		CV-AA032JE	
<b>ASAHI YUKIZAI CORPORATION</b>			