

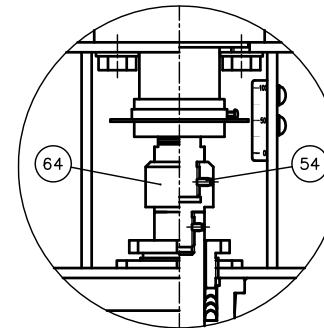
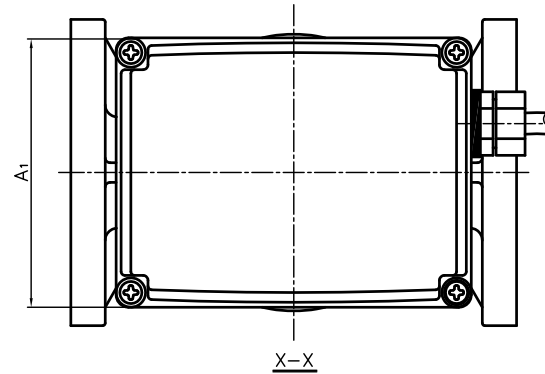
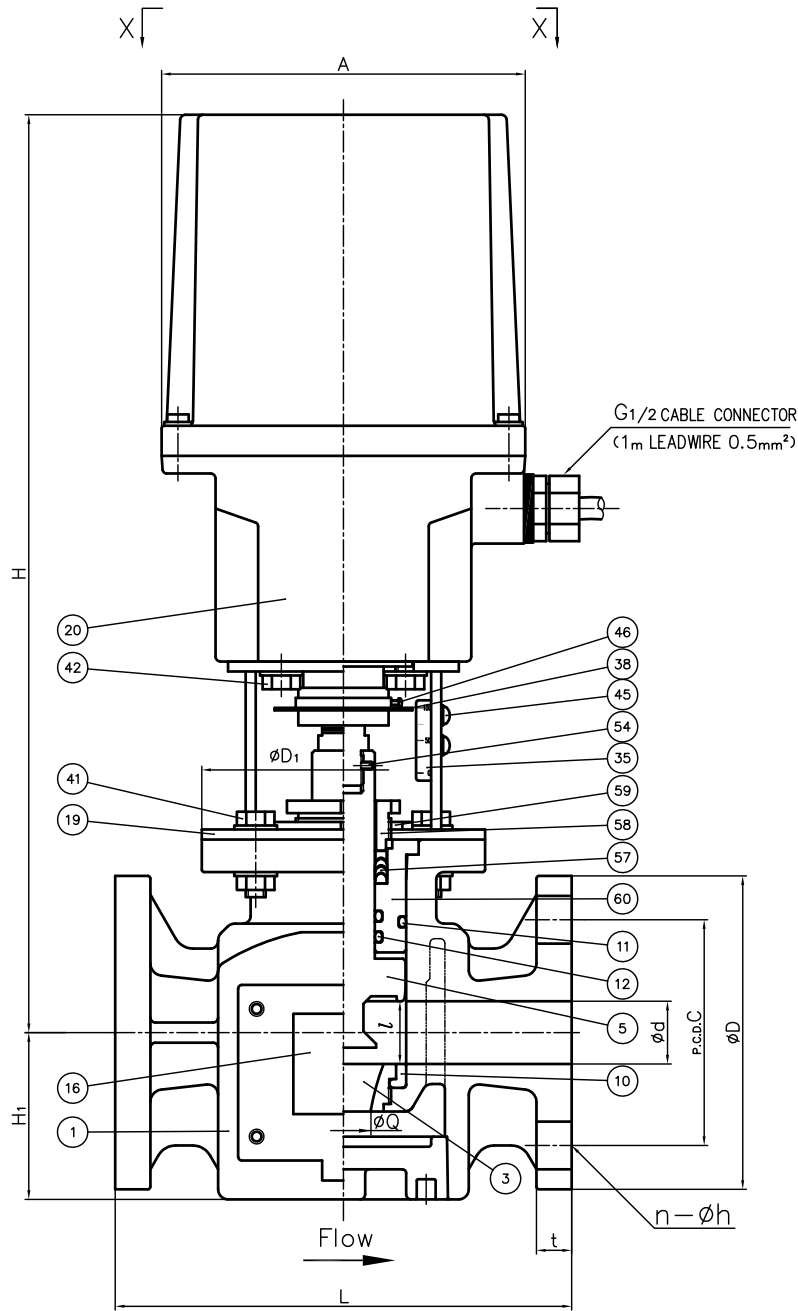
DIMENSIONS TABLE

NOMINAL SIZE	d	JIS 10K				L	t	D ₁	H	H ₁	A	A ₁	ACTUATOR TYPE
		D	C	n	h								
15mm 1/2"	16	95	70	4	15	160	13	100	371.5	49.5	146	110	MSP-6
25	1	25	125	90	4	184	15	113	366.0	66.5	146	110	MSP-6

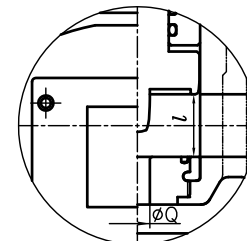
NOTE. The shape and appearance of assembly differ a little with nominal size compared to this drawing.

LIFT (L) TABLE

SIZE	QUALITY	PORT SIZE ϕQ					
		6	8	10	15	20	25
15mm	EQ%	17	16	17	18	/	/
	Linear	16	16	15	16	/	/
25mm	EQ%	16.5	16	16	16	22	24
	Linear	/	/	/	15	19.5	25



Nominal Size 15mm



PORT SIZE 6,8,10mm

64	JOINT	1	STAINLESS STEEL(SUS304)	Used for size 15mm
60	PISTON GUIDE	1	PVDF	
59	STOPPER (A)	1	STAINLESS STEEL(SUS304)	
58	PACKING HOLDER	1	PVDF	
57	V-PACKING	1 sets	PTFE	
54	SCREW (B)	1	SUP	
46	SCREW (A)	1	STAINLESS STEEL(SUS304)	
45	BOLT · NUT (E)	2 sets	STAINLESS STEEL(SUS304)	
42	BOLT (A)	4	STAINLESS STEEL(SUS304)	
41	BOLT · NUT (A)	4 sets	STAINLESS STEEL(SUS304)	
38	INDICATOR	1	STAINLESS STEEL(SUS304)	
35	INDICATOR SEAL	1	ACRYL	
20	ACTUATOR	1	ALUMINIUM ALLOY etc.	
19	STAND	1	STAINLESS STEEL(SUS304)	
16	NAME PLATE	2	ALUMINIUM	
12	O-RING (B)	2	□EPDM □Viflon® F	
11	O-RING (A)	1	□Viflon® C □Others	
10	SEAT	1	()	
5	PISTON (A)	1	PVDF	
3	ORIFICE TUBE	1	PVDF	
1	BODY	1	PVDF	
No.	DESCRIPTION	QTY.	MATERIAL	REMARKS

ITEM	CONTROL VALVE ELECTRIC MODEL M TYPE ASS'Y JIS 10K : 15mm (1/2") · 25mm (1")		
DRAWN	M.Iwakiri	DATE	SCALE
CHECKED	H.Kawano	SEP.10.2019	~
APPROVED	K.Koushou	DRAWING No.	
SPECIAL ORDER No.		CV-AE004JE	△
ASAHI YUKIZAI CORPORATION			