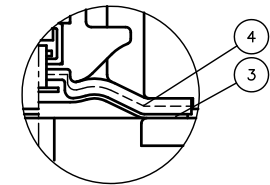
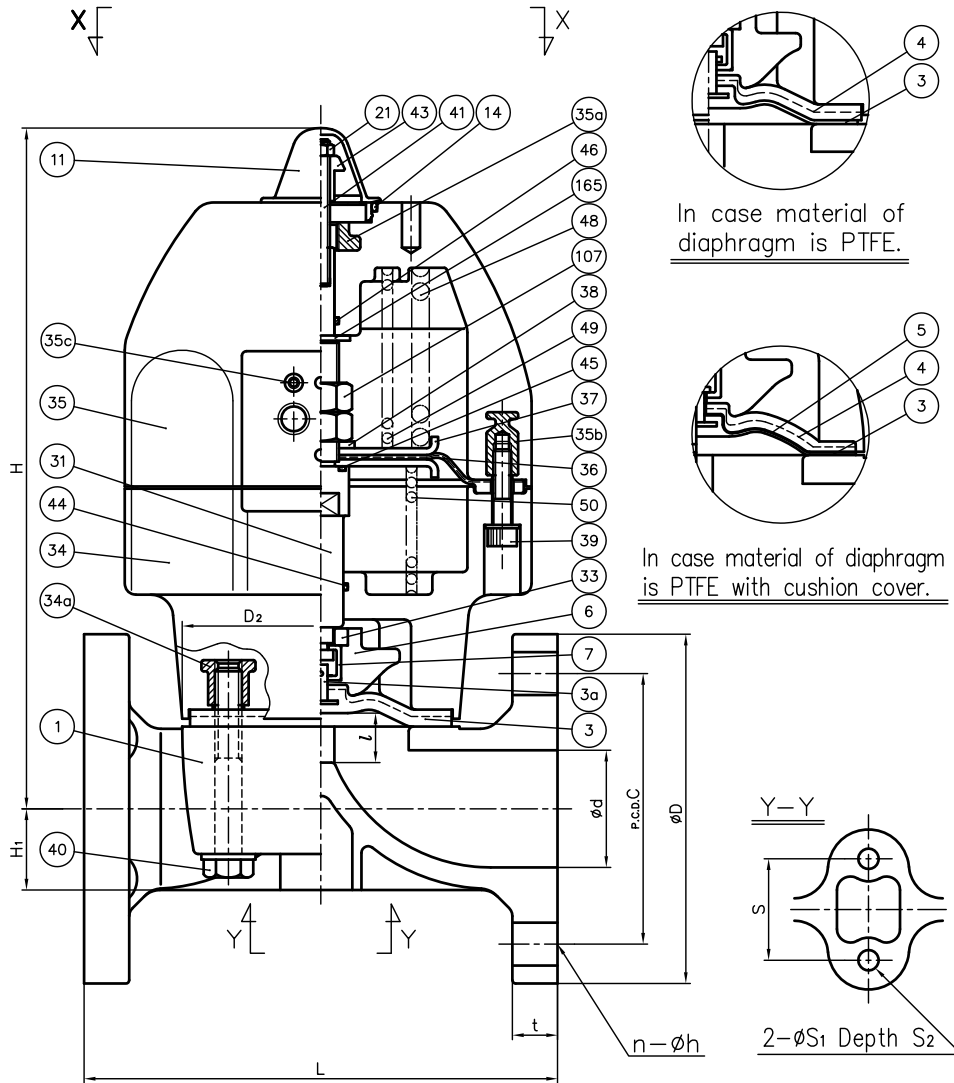


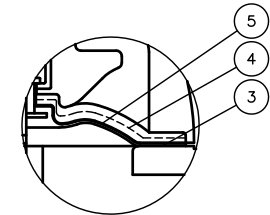
DIMENSIONS TABLE

UNIT: mm

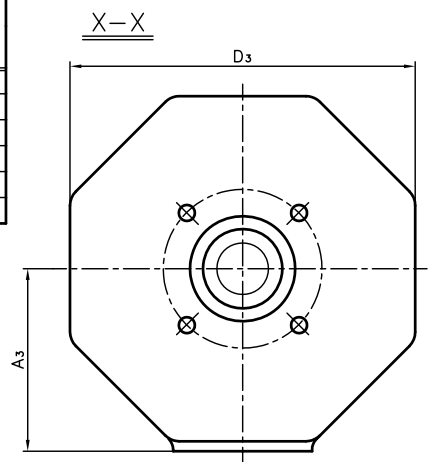
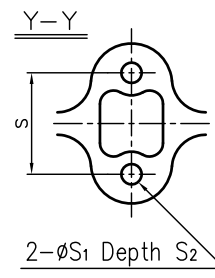
NOMINAL SIZE	d	DIN PN10				D <sub>2</sub>	D <sub>3</sub>	L	t	l (LIFT)	H	H <sub>1</sub>	A <sub>3</sub>	S	S <sub>1</sub>	S <sub>2</sub>	P
		D	C	n	h												
15mm 1/2	16	95	65	4	14	54×66	130	130	12	10	186	19.5	68	25	7	13	1/4
20 3/4	20	105	75	4	14	54×66	130	150	13	10	188	17.5	68	25	7	13	1/4
25 1	25	115	85	4	14	67×80	130	160	13	12	193	18.5	68	25	7	13	1/4
32 1 1/4	32	140	100	4	18	67×80	130	180	16	12	197	22.5	68	25	7	13	1/4
40 1 1/2	40	150	110	4	18	108×108	174	200	20	21	293	27.5	92	45	9	15	1/4
50 2	52	165	125	4	18	123×123	174	230	22	25	302	36	92	45	9	15	1/4



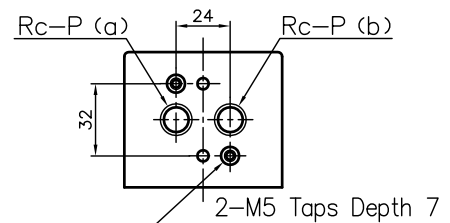
In case material of diaphragm is PTFE.



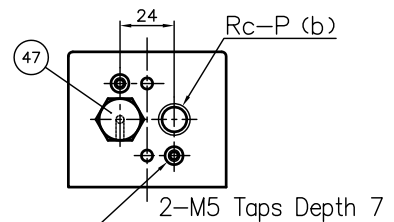
In case material of diaphragm is PTFE with cushion cover.



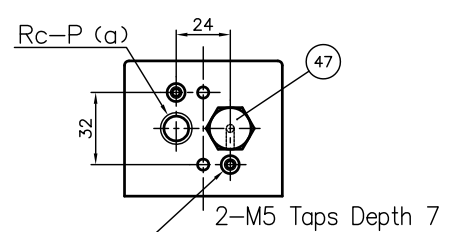
Face of Air Supply (Double Acting)



Face of Air Supply (Air to Open)



Face of Air Supply (Air to Shut)



NOTE.

- Operation of permission pressure: 0.4~0.6MPa G  
Air to open : 25~50mm<sup>2</sup> : 0.45~0.6MPa G  
(only fluid pressure is 0)
- Double Acting : Valve open : Port (a) Exhaust  
Port (b) Supply  
Valve shut : Port (a) Supply  
Port (b) Exhaust  
Air To Open : Valve open : Port (b) Supply  
Valve shut : Port (b) Exhaust  
Air To Shut : Valve open : Port (a) Exhaust  
Valve shut : Port (a) Supply
- Diaphragms except EPDM and PTFE are available in FKM, VIFLON<sup>®</sup>C (FKM-C), VIFLON<sup>®</sup>F (FKM-F), CSM and NBR when required.
- The shape and appearance of assembly differ a little with nominal size compared to this drawing.

165 WASHER (A)	1	STAINLESS STEEL	SUS304
107 LOCK NUT	2	STAINLESS STEEL	SUS304
50 SPRING (C)	1	SPRING STEEL (SWOSM-B)	Used for Air to Shut
49 SPRING (B)	1	SPRING STEEL (SWOSM-B)	Used for Air to Open
48 SPRING (A)	1	SPRING STEEL (SWOSM-B)	Used for Air to Open
47 NIPPLE	1	COPPER ALLOY (C3604)	Used for Air to Shut and Air to Open
46 O-RING (F)	1	NBR	
45 O-RING (E)	1	NBR	
44 O-RING (D)	1	NBR	
43 STOPPER	1	STAINLESS STEEL	SUS304
41 INDICATING ROD	1	STAINLESS STEEL	SUS304
40 BOLT (B)	4	STAINLESS STEEL	SUS304
39 BOLT (A)	8	STAINLESS STEEL	SUS304
38 CONICAL SPRING WASHER (B)	1	STAINLESS STEEL	SUS304
37 CYLINDER DIAPHRAGM PLATE	2	STAINLESS STEEL	SUS304
36 CYLINDER DIAPHRAGM	1	NBR	
35c SCREWED METAL OF CYLINDER BONNET	2	STAINLESS STEEL	SUS303
35b INSERTED METAL OF CYLINDER BONNET (B)	8	COPPER ALLOY	C3604
35a INSERTED METAL OF CYLINDER BONNET (A)	1	STAINLESS STEEL	SUS304
35 CYLINDER BONNET	1	PPG	
34a INSERTED METAL OF CYLINDER BODY	1	COPPER ALLOY	C3604
34 CYLINDER BODY	1	PPG	
33 COMPRESSOR PUSHING PLATE	1	COPPER ALLOY	C3604
31 STEM (A)	1	COPPER ALLOY	C3604
21 NUT	1	STAINLESS STEEL	SUS304
14 O-RING (A)	1	EPDM	
11 GAUGE COVER	1	PC	
7 JOINT	1	STAINLESS STEEL	SUS304
6 COMPRESSOR	1	PVDF	
5 CUSHION COVER	1	□ Nothing □ PVDF	Used for PTFE Diaphragm
4 CUSHION	1	EPDM	Used for PTFE Diaphragm
3a INSERTED METAL OF DIAPHRAGM	1	STAINLESS STEEL	SUS304
3 DIAPHRAGM	1	□EPDM □PTFE □Others ( )	
1 BODY	1	□PVC □C-PVC □PP □PVDF	

No.	DESCRIPTION	QTY.	MATERIAL	REMARKS
ITEM	DIAPHRAGM VALVE (TYPE14) PNEUMATIC ACTUATED MODEL TYPE AN ASSY □DOUBLE ACTING, □AIR TO OPEN, □AIR TO SHUT DIN PN10 : FLANGED END 15mm (1/2") ~ 50mm (2")			
DRAWN	M.Iwakiri	DATE	SCALE	
CHECKED	H.Kawano	FEB.7.2019		
APPROVED	K.Koushou	DRAWING No.		
		D1-AA016DE		△
SPECIAL ORDER No.	ASAHI YUKIZAI CORPORATION			