

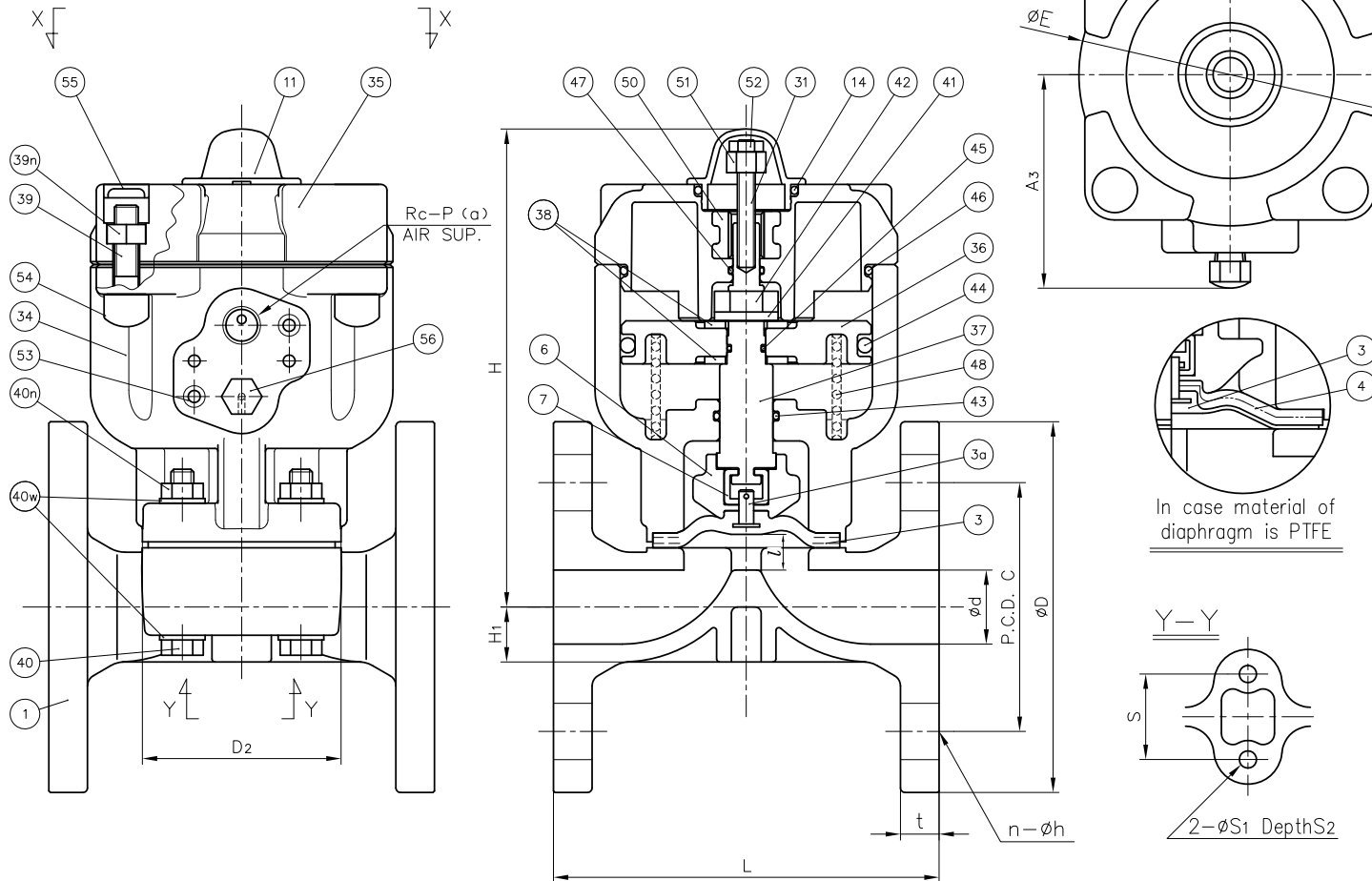
DIMENSIONS TABLE

UNIT : mm

NOMINAL SIZE	d	ANSI Class 150					D ₂	D ₃	E	L		t	l (LIFT)	H	H ₁	A ₃	S	S ₁	S ₂	P
		D	C	n	h	GRINNEL STANDARD				AV STANDARD										
1/2"	15mm	16	89	60.5	4	16	54×66	91	94	108	110	12	8	145	19.5	67	25	7	13	1/4
3/4"	20	20	98	70	4	16	60×74	91	94	149	120	13	8	153	17.5	67	25	7	13	1/4
1"	25	25	108	79.5	4	16	67×80	100	102	149	130	13	10	161	18.5	72	25	7	13	1/4
1 1/4"	32	32	117	89	4	16	67×80	100	102	162	-	16	10	165	22.5	72	25	7	13	1/4

NOTE.

1. Operation of permission pressure: 0.4~0.6MPa G
2. Air To Shut : Valve open : Port (a) Exhaust
Valve shut : Port (a) Supply
3. The shape and appearance of assembly differ a little with nominal size compared to this drawing.



56	NIPPLE	1	COPPER ALLOY (C3604)	
55	CAP	4	EPDM	Blue
54	CAP FOR HEXAGON SOCKET HEAD CAP SCREWS	4	PVC	
53	INSERTED METAL OF CYLINDER BODY	2	STAINLESS STEEL (SUS304)	
52	NUT (No.52)	1	STAINLESS STEEL (SUS304)	
51	STOPPER FOR PNEUMATIC ACTUATOR	1	STAINLESS STEEL (SUS304)	
50	INSERTED METAL OF CYLINDER COVER	1	STAINLESS STEEL (SUS304)	
48	SPRING	1	SWOSM-B	
47	O-RING (No.47)	1	NBR	
46	O-RING (No.46)	1	NBR	
45	O-RING (No.45)	1	NBR	
44	O-RING (No.44)	1	NBR	
43	O-RING (No.43)	1	NBR	
42	NUT (No.42)	1	STAINLESS STEEL (SUS304)	
41	SPRING WASHER	1	STAINLESS STEEL (SUS304)	
40n	NUT (No.40)	4	STAINLESS STEEL (SUS304)	
40w	WASHER (No.40)	8	STAINLESS STEEL (SUS304)	
40	BOLT (No.40)	4	STAINLESS STEEL (SUS304)	
39n	NUT (No.39)	4	STAINLESS STEEL (SUS304)	
39	HEXAGON SOCKET HEAD CAP SCREWS	4	STAINLESS STEEL (SUS304)	
38	WASHER (No.38)	2	STAINLESS STEEL (SUS304)	
37	STEM FOR PNEUMATIC ACTUATOR	1	COPPER ALLOY (C3604)	
36	PISTON	1	PPG	
35	CYLINDER COVER	1	PPG	
34	CYLINDER BODY	1	PPG	
31	INDICATOR ROD	1	STAINLESS STEEL (SUS304)	
14	O-RING (No.14)	1	EPDM	
11	GAUGE COVER	1	PC	
7	JOINT	1	STAINLESS STEEL (SUS304)	
6	COMPRESSOR	1	PVDF	
4	CUSHION	1	EPDM	Used for PTFE Diaphragm
3a	INSERTED METAL OF DIAPHRAGM	1	□EPDM □PTFE □Others	
3	DIAPHRAGM	1		
1	BODY	1	□PVC □C-PVC □PP □PVDF	

No. DESCRIPTION QTY. MATERIAL REMARKS

DIAPHRAGM VALVE PNEUMATIC ACTUATED MODEL TYPE AI ASS'Y
AIR TO SHUT
ANSI Class 150: FLANGED END
15mm (1/2") ~ 32mm (1 1/4")

DRAWN	M.Iwakiri	DATE	SCALE
CHECKED	H.Kawano	MAY.21.2019	
APPROVED	K.Koushou	DRAWING No. D1-AA088AE m	

SPECIAL ORDER No. **ASAHI YUKIZAI CORPORATION**