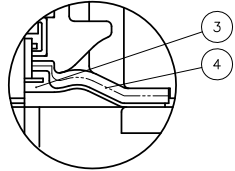


DIMENSIONS TABLE

UNIT : inch

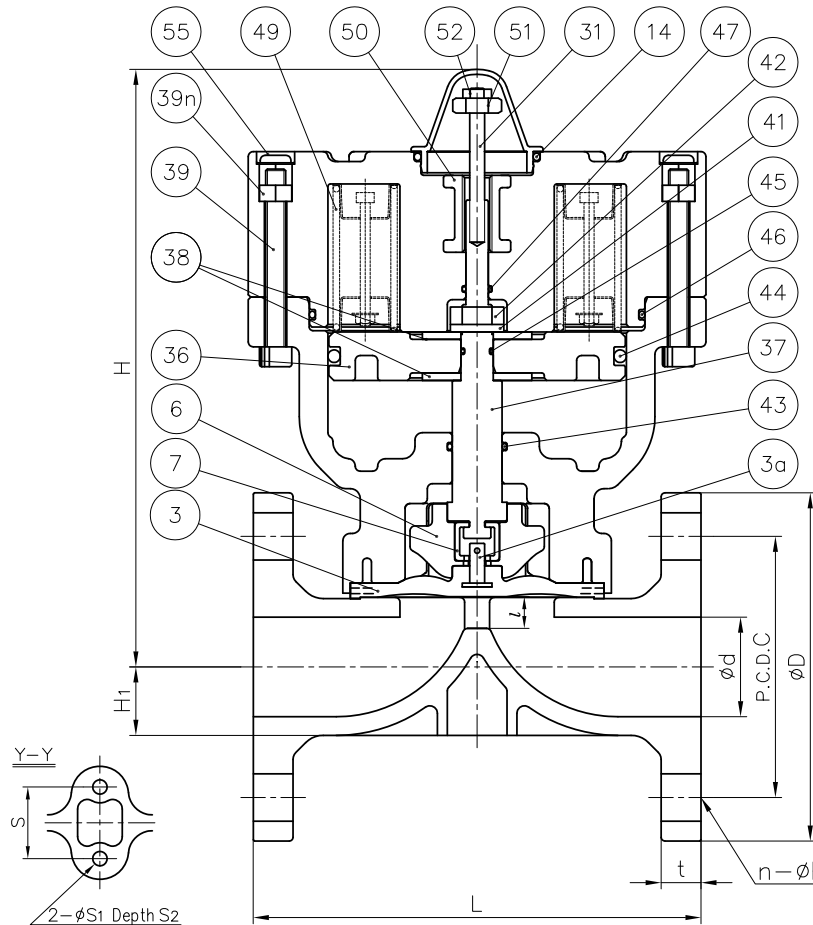
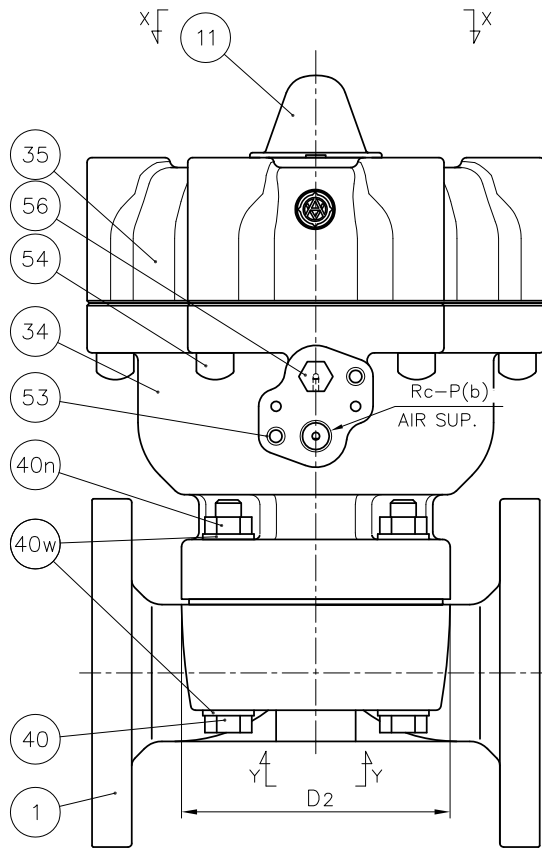
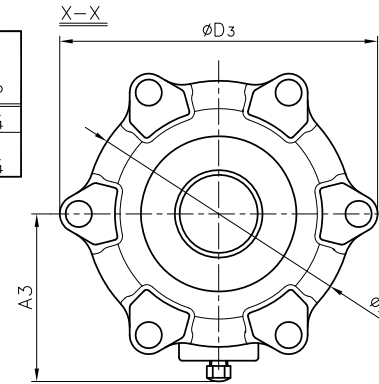
NOMINAL SIZE	d	ANSI Class150					D ₂	D ₃	E	L		t	l (LIFT)	H	H ₁	A ₃	S	S ₁	S ₂	P
		D	C	n	h	GRINNEL STANDARD				AV STANDARD										
1½"	40mm	1.57	5.00	3.88	4	0.62	4.25x4.25	7.24	6.06	6.94	7.09	0.63	0.71	9.37	1.08	3.82	1.77	0.35	0.59	¼
2	50	20.5	6.00	4.75	4	0.75	4.84x4.84	7.24	6.06	7.94	8.27	0.79	0.79	10.00 (10.94)	1.42	3.82	1.77	0.35	0.59	¼



In case material of diaphragm is PTFE

NOTE.

1. Operation of permission pressure : (PN0.7)0.4~0.6MPa G
(PN1.0)0.5~0.6MPa G
2. Air To open : Valve open :Port (b) Supply
Valve shut :Port (b) Exhaust
3. The shape and appearance of assembly differ a little with nominal size compared to this drawing.
4. 2" H () : PN1.0



56	NIPPLE	1	COPPER ALLOY (C3604)	
55	CAP	6	EPDM	PN0.7: Red PN1.0: Blue
54	CAP FOR HEXAGON SOCKET HEAD CAP SCREWS	6	PVC	
53	INSERTED METAL OF CYLINDER BODY	2	STAINLESS STEEL (SUS304)	
52	NUT (No.52)	1	STAINLESS STEEL (SUS304)	
51	STOPPER FOR PNEUMATIC ACTUATOR	1	STAINLESS STEEL (SUS304)	
50	INSERTED METAL OF CYLINDER COVER	1	STAINLESS STEEL (SUS304)	
49	SPRING UNIT	-	SWOSC-V etc.	2"(PN1.0):SWOSC-B etc.
47	O-RING (No.47)	1	NBR	
46	O-RING (No.46)	1	NBR	
45	O-RING (No.45)	1	NBR	
44	O-RING (No.44)	1	NBR	
43	O-RING (No.43)	1	NBR	
42	NUT (No.42)	1	STAINLESS STEEL (SUS304)	
41	SPRING WASHER	1	STAINLESS STEEL (SUS304)	
40n	NUT (No.40)	4	STAINLESS STEEL (SUS304)	
40w	WASHER (No.40)	8	STAINLESS STEEL (SUS304)	
40	BOLT (No.40)	4	STAINLESS STEEL (SUS304)	
39n	NUT (No.39)	6	STAINLESS STEEL (SUS304)	
39	BOLT (No.39)	6	STAINLESS STEEL (SUS304)	
38	WASHER (No.38)	2	STAINLESS STEEL (SUS304)	
37	STEM FOR PNEUMATIC ACTUATOR	1	COPPER ALLOY (C3604)	
36	PISTON	1	PPG	
35	CYLINDER COVER	1	PPG	
34	CYLINDER BODY	1	PPG	
31	INDICATOR ROD	1	STAINLESS STEEL (SUS304)	
14	O-RING (No.14)	1	EPDM	
11	GAUGE COVER	1	PC	
7	JOINT	1	STAINLESS STEEL (SUS304)	
6	COMPRESSOR	1	PVDF	
4	CUSHION	1	EPDM	Used for PTFE Diaphragm
3a	INSERTED METAL OF DIAPHRAGM	1	STAINLESS STEEL (SUS304)	
3	DIAPHRAGM	1	□EPDM □PTFE □Other ()	
1	BODY	1	□PVC □C-PVC □PP □PVDF	

No.	DESCRIPTION	QTY.	MATERIAL	REMARKS
ITEM	DIAPHRAGM VALVE PNEUMATIC ACTUATED MODEL TYPE AI ASS'Y AIR TO OPEN (□PN0.7 , □PN1.0) ANSI Class150 :FLANGED END 1½" (40mm) · 2" (50mm) □A STANDARD, □G STANDARD			
DRAWN	E.Emmei	DATE	SCALE	
CHECKED	H.Kawano	DEC.19.2018		
APPROVED	K.Koushou	DRAWING No. D1-AA103AE		
SPECIAL ORDER No.				

ASAHI YUKIZAI CORPORATION