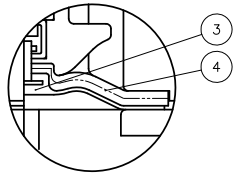


DIMENSIONS TABLE

UNIT: mm

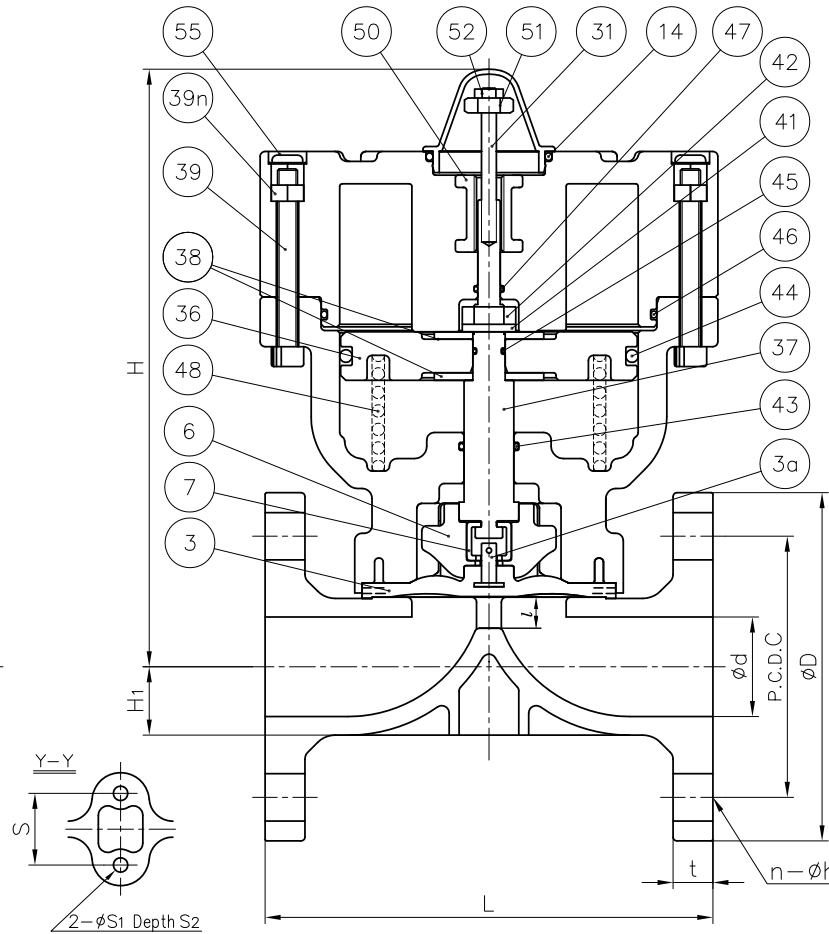
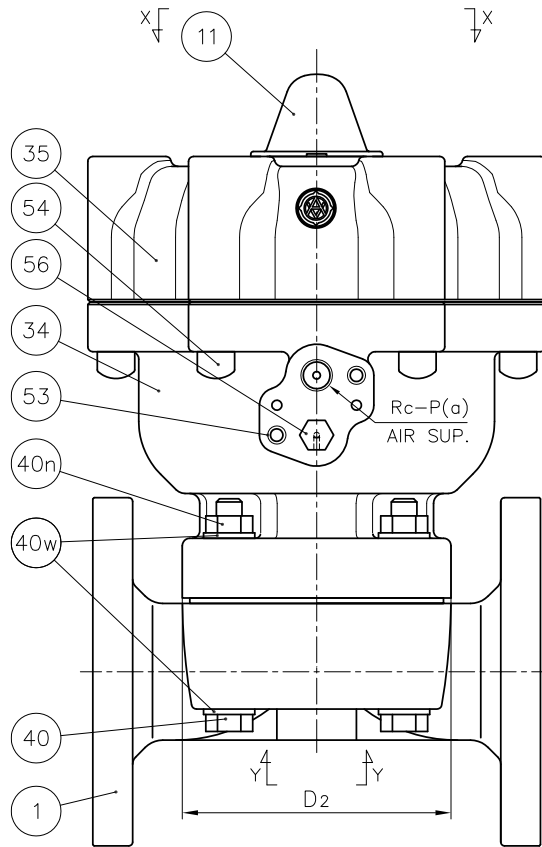
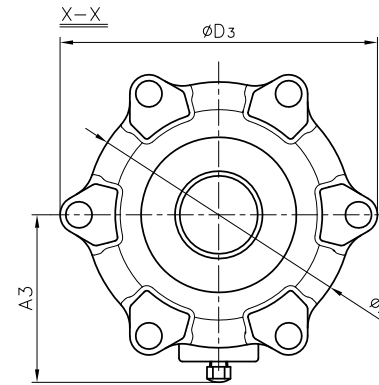
| NOMINAL SIZE | d | DIN PN10 | | | | | D ₂ | D ₃ | E | L | t | l (LIFT) | H | H ₁ | A ₃ | S | S ₁ | S ₂ | P |
|--------------|----|----------|-----|---|----|---------|----------------|----------------|-----|----|----|----------|------|----------------|----------------|---|----------------|----------------|---|
| | | D | C | n | h | | | | | | | | | | | | | | |
| 40mm 1½" | 40 | 150 | 110 | 4 | 18 | 108x108 | 184 | 154 | 200 | 20 | 18 | 238 | 27.5 | 97 | 45 | 9 | 15 | ¼ | |
| 50 | 52 | 165 | 125 | 4 | 18 | 123x123 | 184 | 154 | 230 | 22 | 20 | 254 | 36 | 97 | 45 | 9 | 15 | ¼ | |



In case material of diaphragm is PTFE

NOTE.

1. Operation of permission pressure : 0.4~0.6MPa G
2. Air To Shut : Valve open : Port (a) Exhaust
Valve shut : Port (a) Supply
3. The shape and appearance of assembly differ a little with nominal size compared to this drawing.



| | | | | |
|-----|--|---|---------------------------------|-------------------------|
| 56 | NIPPLE | 1 | COPPER ALLOY (C3604) | |
| 55 | CAP | 6 | EPDM | Blue |
| 54 | CAP FOR HEXAGON SOCKET HEAD CAP SCREWS | 6 | PVC | |
| 53 | INSERTED METAL OF CYLINDER BODY | 2 | STAINLESS STEEL (SUS303) | |
| 52 | NUT (No.52) | 1 | STAINLESS STEEL (SUS304) | |
| 51 | STOPPER FOR PNEUMATIC ACTUATOR | 1 | STAINLESS STEEL (SUS304) | |
| 50 | INSERTED METAL OF CYLINDER COVER | 1 | STAINLESS STEEL (SUS304) | |
| 48 | SPRING | 1 | SWOSM-B | |
| 47 | O-RING (No.47) | 1 | NBR | |
| 46 | O-RING (No.46) | 1 | NBR | |
| 45 | O-RING (No.45) | 1 | NBR | |
| 44 | O-RING (No.44) | 1 | NBR | |
| 43 | O-RING (No.43) | 1 | NBR | |
| 42 | NUT (No.42) | 1 | STAINLESS STEEL (SUS304) | |
| 41 | SPRING WASHER | 1 | STAINLESS STEEL (SUS304) | |
| 40n | NUT (No.40) | 4 | STAINLESS STEEL (SUS304) | |
| 40w | WASHER (No.40) | 8 | STAINLESS STEEL (SUS304) | |
| 40 | BOLT (No.40) | 4 | STAINLESS STEEL (SUS304) | |
| 39n | NUT (No.39) | 6 | STAINLESS STEEL (SUS304) | |
| 39 | BOLT (No.39) | 6 | STAINLESS STEEL (SUS304) | |
| 38 | WASHER (No.38) | 2 | STAINLESS STEEL (SUS304) | |
| 37 | STEM FOR PNEUMATIC ACTUATOR | 1 | COPPER ALLOY (C3604) | |
| 36 | PISTON | 1 | PPG | |
| 35 | CYLINDER COVER | 1 | PPG | |
| 34 | CYLINDER BODY | 1 | PPG | |
| 31 | INDICATOR ROD | 1 | STAINLESS STEEL (SUS304) | |
| 14 | O-RING (No.14) | 1 | EPDM | |
| 11 | GAUGE COVER | 1 | PC | |
| 7 | JOINT | 1 | STAINLESS STEEL (SUS304) | |
| 6 | COMPRESSOR | 1 | PVDF | |
| 4 | CUSHION | 1 | EPDM | Used for PTFE Diaphragm |
| 3a | INSERTED METAL OF DIAPHRAGM | 1 | STAINLESS STEEL | SUS304 |
| 3 | DIAPHRAGM | 1 | □EPDM □PTFE □Other () | |
| 1 | BODY | 1 | □PVC □C-PVC □PP □PVDF | |

| No. | DESCRIPTION | QTY. | MATERIAL | REMARKS |
|-------------------|--|---------------------------|----------|---------|
| ITEM | DIAPHRAGM VALVE PNEUMATIC ACTUATED MODEL TYPE AI ASSY AIR TO SHUT DIN PN10 : FLANGED END 40mm (1½") · 50mm (2") | | | |
| DRAWN | E.Emmei | DATE | SCALE | |
| CHECKED | H.Kawano | DEC.19.2018 | | |
| APPROVED | K.Koushou | DRAWING No. D1-AA104DE | | |
| SPECIAL ORDER No. | | | | |

ASAHI YUKIZAI CORPORATION