

DIMENSIONS TABLE

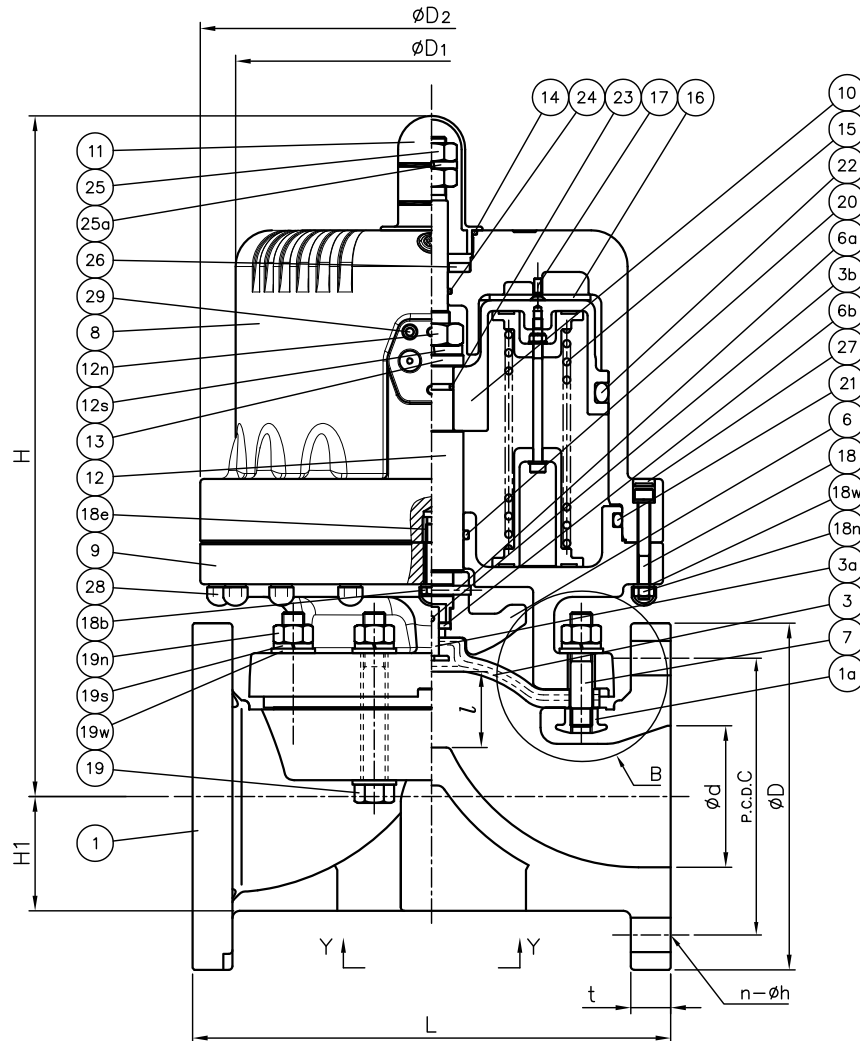
UNIT : inch

NOMINAL SIZE	d	ANSI Class 150					D1	D2	l (LIFT)	L		t		H	H1	S	S1	S2	P
		D	C	n	h	GRINNEL STANDARD				AV STANDARD	PVC C-PVC	PP PVDF							
2½"	65mm	2.64	7.00	5.50	4	0.75	8.50	10.04	1.34	-	9.84	0.87	0.91	13.90	2.40	3.35	M8	0.59	¼
3	80	3.07	7.50	6.00	4	0.75	8.50	10.04	1.65	10.37	11.02	0.87	0.91	14.80	2.48	3.94	M12	0.87	¼
4	100	3.94	9.00	7.50	8	0.75	10.87	12.40	1.97	12.93	13.39	0.87	0.94	17.76	3.07	4.72	M12	0.87	¼

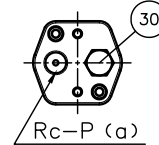
NOTE. 1. Operation of permission pressure : 0.4~0.5MPaG

2. Diaphragms except EPDM and PTFE are available in FKM, VIFLON<sup>®</sup>C (FKM-C), VIFLON<sup>®</sup>F (FKM-F), CSM and NBR when required.

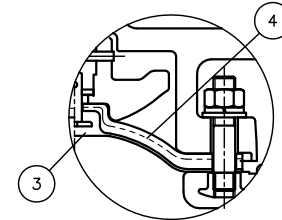
3. The shape and appearance of assembly differ a little with nominal size compared to this drawing.



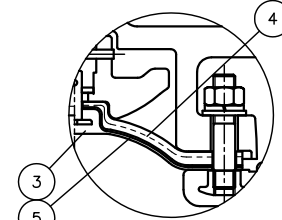
Face of Air Supply



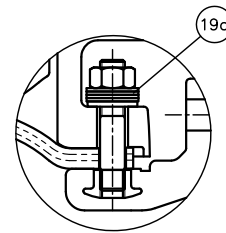
Valve open : (a) Exhaust  
Valve close : (a) Supply



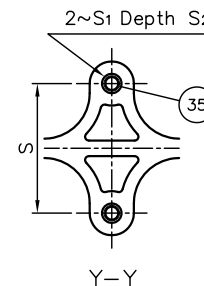
In case material of diaphragm is PTFE



In case material of diaphragm is PTFE with cushion cover



"B" Part  
In case of PVDF Body



35	ENSAT FOR BODY	2	COPPER ALLOY (C3604)	
30	NIPPLE	1	PPG	
29	INSERTED METAL OF CYLINDER BODY	2	STAINLESS STEEL (SUS304)	
28	NUT CAP	-	PVC	
27	CAP	-	EPDM	
26	STOPPER BASE	1	STAINLESS STEEL (SUS304)	
25a	SPRING WASHER (No.25)	1	STAINLESS STEEL (SUS304)	
25	STOPPER	1Sets	STAINLESS STEEL (SUS304)	
24	O-RING (No.24)	1	NBR	
23	O-RING (No.23)	1	NBR	
22	O-RING (No.22)	1	NBR	
21	O-RING (No.21)	1	NBR	
20	O-RING (No.20)	1	NBR	
19w	WASHER (No.19)	12	STAINLESS STEEL (SUS304)	
19s	SPRING WASHER (No.19)	8	STAINLESS STEEL (SUS304)	
19n	NUT (No.19)	8	STAINLESS STEEL (SUS304)	
19c	CONICAL SPRING WASHER (No.19)	8Sets	STAINLESS STEEL (SUS304)	Use for PVDF Body
19	BOLT (No.19)	4	STAINLESS STEEL (SUS304)	
18w	WASHER (No.18)	-	STAINLESS STEEL (SUS304)	
18n	NUT (No.18)	-	STAINLESS STEEL (SUS304)	
18e	INSERTED NUT (No.18)	1	COPPER ALLOY (C3604)	
18b	BOLT (No.18)	1	STAINLESS STEEL (SUS304)	
18	CAP BOLT (No.18)	-	STAINLESS STEEL (SUS304)	
17	SCREW	4	STAINLESS STEEL (SUS304)	
16	SPRING BASE	1	PVC	
15	SPRING UNIT	-	SWOSC-B etc.	
14	O-RING (No.14)	1	EPDM	
13	STEM WASHER	1	STAINLESS STEEL (SUS304)	
12s	SPRING WASHER (No.12)	1	STAINLESS STEEL (SUS304)	
12n	NUT (No.12)	1	STAINLESS STEEL (SUS304)	
12	STEM	1	STAINLESS STEEL (SUS304)	
11	GAUGE COVER	1	PC	
10	PISTON	1	PF+GF	
9	CYLINDER BONNET	1	PPG	
8	CYLINDER BODY	1	PPG	
7	STUD BOLT	4	STAINLESS STEEL (SUS304)	
6b	METAL OF COMPRESSOR	1	STAINLESS STEEL (SUS304)	
6a	COMPRESSOR PIN	1	STAINLESS STEEL (SUS304)	
6	COMPRESSOR	1	PVDF	
5	CUSHION COVER	1	□Nothing □PVDF	Use for PTFE Diaphragm
4	CUSHION	1	EPDM	Use for PTFE Diaphragm
3b	DIAPHRAGM PIN	1	STAINLESS STEEL (SUS304)	
3a	INSERTED METAL OF DIAPHRAGM	1	□EPDM □PTFE □Others ( )	
3	DIAPHRAGM	1	□EPDM □PTFE □Others ( )	
1a	INSERTED NUT	4	COPPER ALLOY (C3604) STAINLESS STEEL (SUS304)	Use for PVC,C-PVC,PP Body Use for PVDF Body
1	BODY	1	□PVC □C-PVC □PP □PVDF	

No.	DESCRIPTION	QTY.	MATERIAL	REMARKS
ITEM	DIAPHRAGM VALVE (TYPE4) PNEUMATIC ACTUATED MODEL TYPE AP ASSY AIR TO CLOSE ANSI Class 150 : FLANGED END 2½" (65mm) ~ 4" (100mm) □ GRINNEL STANDARD, □ AV STANDARD			
DRAWN	M.Iwakiri	DATE	SCALE	
CHECKED	H.Kawano	FEB.7.2019	DRAWING No.	
APPROVED	K.Koushou	D1-AA141AE	3	
SPECIAL ORDER No.	ASAHI YUKIZAI CORPORATION			