

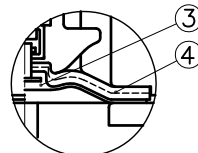
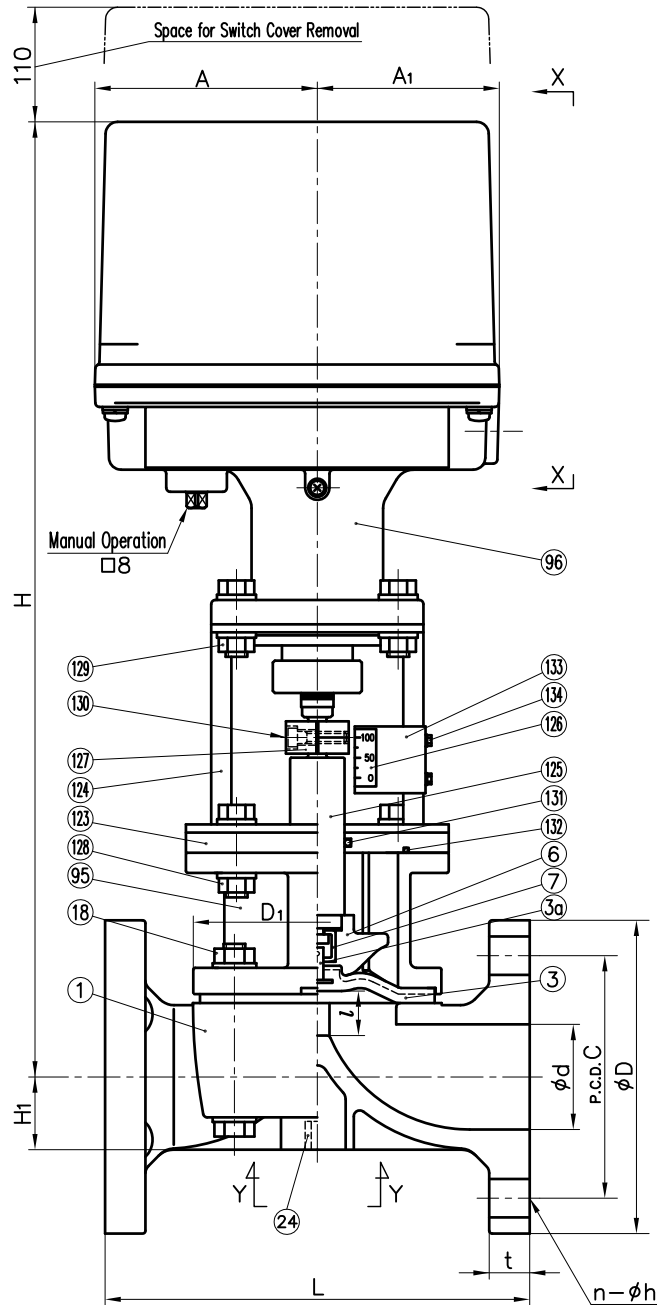
DIMENSIONS TABLE

UNIT : mm

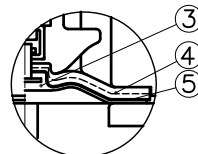
NOMINAL SIZE	d	ANSI Class 150					D ₁	L		t	l (LIFT)	H	H ₁	A	A ₁	A ₂	S	S ₁	S ₂	ACTUATOR MODEL
		D	C	n	h	GRINNEL STANDARD		AV STANDARD												
15mm	1/2"	16	89	60.5	4	16	54×66	108	110	11	10	406	19.5	101	81	140	25	M5	10	PSN-1
20	3/4	20	98	70	4	16	54×66	149	120	13	10	408	17.5	101	81	140	25	M5	10	PSN-1
25	1	25	108	79.5	4	16	67×80	149	130	15	12	413	18.5	101	81	140	25	M5	10	PSN-1
32	1 1/4	32	117	89	4	16	67×80	162	-	16	12	416	22.5	101	81	140	25	M5	10	PSN-1
40	1 1/2	40	127	98.5	4	16	110×110	176	180	16	21	464	27.5	110	90	150	45	M6	14	PSN-3
50	2	52	152	120.5	4	19	123×123	201.6	210	20	25	473	36	110	90	150	45	M6	14	PSN-3

NOTE.

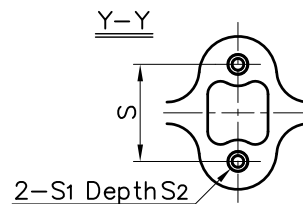
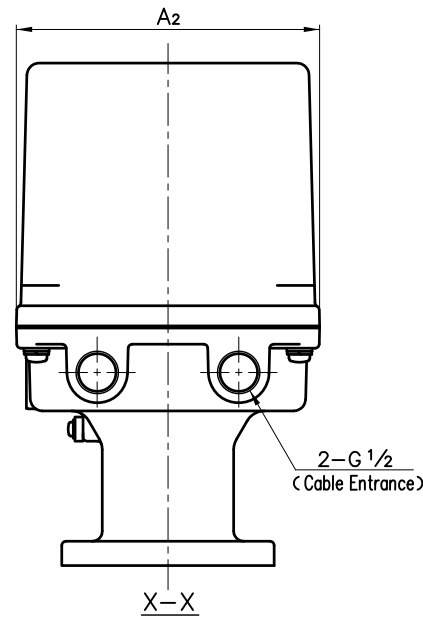
- Diaphragms except EPDM and PTFE are available in FKM, VIFLON[®] C (FKM-C), VIFLON[®] F (FKM-F), CSM and NBR when required.
- The shape and appearance of assembly differ a little with nominal size compared to this drawing.



In case material of diaphragm is PTFE



In case material of diaphragm is PTFE with cushion cover



134	SCREW (F)	2	STAINLESS STEEL (SUS304)	
133	INDICATOR PLATE	1	STAINLESS STEEL (SUS304)	
132	O-RING (K)	1	NBR	
131	O-RING (J)	1	NBR	
130	BOLT (F)	2	STAINLESS STEEL (SUS304)	
129	BOLTO · NUT (F)	4 Sets	STAINLESS STEEL (SUS304)	
128	BOLTO · NUT (E)	4 Sets	STAINLESS STEEL (SUS304)	
127	JOINT	1	COPPER ALLOY (C3604)	
126	INDICATOR SEAL	1	ACRYL	
125	STEM (D)	1	COPPER ALLOY (C3604)	
124	STAND (A)	1	STAINLESS STEEL (SUS304)	
123	SPACER (A)	1	PVC	
96	ACTUATOR	1	ALUMINIUM etc.	Acryl Coat
95	BONNET	1	CAST ALUMINIUM ALLOY (AC4A)	Epoxy Coat
24	ENSAT FOR BODY	2	COPPER ALLOY (Equal to C3603)	
18	BOLT · NUT (A)	4 Sets	STAINLESS STEEL (SUS304)	
7	JOINT	1	STAINLESS STEEL (SUS304)	
6	COMPRESSOR	1	PVDF	
5	CUSHION COVER	1	□Noting □PVDF	Used for PTFE Diaphragm
4	CUSHION	1	EPDM	
3a	INSERTED METAL OF DIAPHRAGM	1	STAINLESS STEEL (SUS304)	
3	DIAPHRAGM	1	□EPDM □PTFE □Others ()	
1	BODY	1	□PVC □C-PVC □PP □PVDF	
No.	DESCRIPTION	QTY.	MATERIAL	REMARKS

DIAPHRAGM VALVE (TYPE14) ELECTRIC MODEL TYPE M ASS'Y
ANSI Class 150: FLANGED END
15mm (1/2") ~ 50mm (2")
□GRINNEL STANDARD, □AV STANDARD
with E-P POSITIONER

DRAWN	M.Iwakiri	DATE	SCALE
CHECKED	H.Kawano	FEB.12.2019	~
APPROVED	K.Koushou	DRAWING No. D1-AE003AE m	

SPECIAL ORDER No. ASAHYUKIZAI CORPORATION