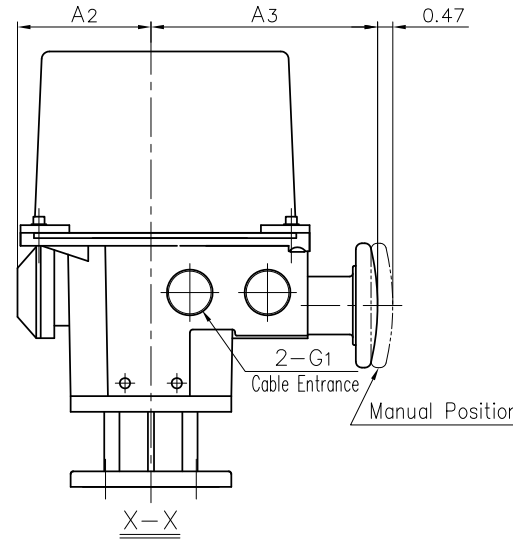
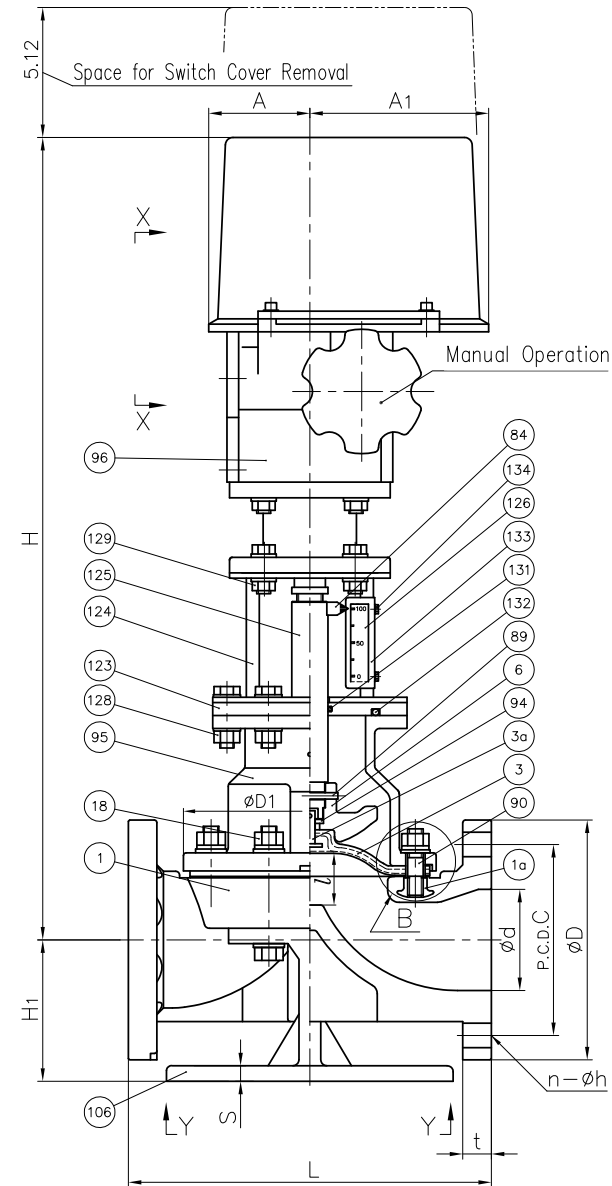


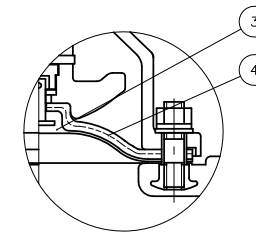
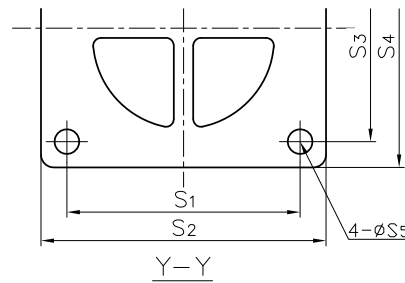
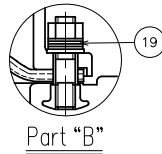
DIMENSIONS TABLE

UNIT : inch

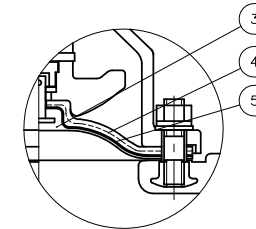
NOMINAL SIZE	d	ANSI Class 150					D1	l (LIFT)	L				t				H	H1	A	A1	A2	A3	S	S1	S2	S3	S4	S5	ACTUATOR MODEL
		D	C	n	h	GRINNEL STANDERD			AV STANDERD	PVC C-PVC	PP PVDF																		
2½"	65mm	2.64	7.00	5.50	4	0.75	6.89	1.34	—	9.84	0.87	0.91	23.94	3.86	3.11	5.39	4.06	6.97	0.47	6.10	7.48	6.30	7.48	0.75	CSP-471				
3	80	3.07	7.50	6.00	4	0.75	7.83	1.65	10.37	11.02	0.87	0.91	24.61	4.29	3.11	5.39	4.06	6.97	0.47	7.09	8.66	6.89	8.46	0.75	CSP-771				
4	100	3.94	9.00	7.50	8	0.75	9.41	1.97	12.93	13.39	0.87	0.94	25.79	4.69	3.11	5.39	4.06	6.97	0.59	9.06	10.63	8.66	10.24	0.75	CSP-771				



In Case of PVDF Body



In case material of diaphragm is PTFE.



In case material of diaphragm is PTFE with cushion cover.

NOTE.

- Diaphragms except EPDM and PTFE are available in FKM, VIFLON® C (FKM-C), VIFLON® F (FKM-F), CSM and NBR when required.
- The shape and appearance of assembly differ a little with nominal size compared to this drawing.

1a	INSERTED NUT	4	COPPER ALLOY (C3604) STAINLESS STEEL (SUS304)	Used for PVC,C-PVC,PP Body Used for PVDF Body
134	SCREW (F)	2	STAINLESS STEEL (SUS304)	
133	INDICATOR PLATE	1	STAINLESS STEEL (SUS304)	
132	O-RING (K)	1	NBR	
131	O-RING (J)	1	NBR	
129	BOLTO · NUT (F)	4Sets	STAINLESS STEEL (SUS304)	
128	BOLTO · NUT (E)	6Sets	STAINLESS STEEL (SUS304)	
126	INDICATOR SEAL	1	ACRYL	
125	STEM (D)	1	COPPER ALLOY (C3604)	
124	STAND (A)	1	STAINLESS STEEL (SUS304)	
123	SPACER (A)	1	PVC	
106	STAND	1	STAINLESS STEEL (SUS304) CAST ALUMINIUM ALLOY (AC4C) (Epoxy Coat)	Used for Size 2½" Used for Size 3", 4"
96	ACTUATOR	1	ALUMINIUM etc.	
95	BONNET	1	CAST ALUMINIUM ALLOY (AC4A)	Epoxy Coat
94	METAL OF COMPRESSOR	1	STAINLESS STEEL (SUS304)	
90	STUD BOLT · NUT	4Sets	STAINLESS STEEL (SUS304)	
89	COMPRESSOR PIN	1	STAINLESS STEEL (SUS304)	
84	INDICATOR	1	STAINLESS STEEL (SUS304)	
19	CONICAL SPRING WASHER (A)	8Sets	STAINLESS STEEL (SUS304)	Used for PVDF Body
18	BOLT · NUT (A)	4Sets	STAINLESS STEEL (SUS304)	
6	COMPRESSOR	1	PVDF	
5	CUSHION COVER	1	<input type="checkbox"/> Noting <input type="checkbox"/> PVDF	Used for PTFE Diaphragm
4	CUSHION	1	EPDM	
3a	INSERTED METAL OF DIAPHRAGM	1	STAINLESS STEEL (SUS304)	
3	DIAPHRAGM	1	<input type="checkbox"/> EPDM <input type="checkbox"/> PTFE <input type="checkbox"/> Others ( )	
1	BODY	1	<input type="checkbox"/> PVC <input type="checkbox"/> C-PVC <input type="checkbox"/> PP <input type="checkbox"/> PVDF	
No.	DESCRIPTION	QTY.	MATERIAL	REMARKS

ITEM	DIAPHRAGM VALVE (TYPE14) ELECTRIC MODEL TYPE M ASS'Y ANSI Class 150 : FLANGED END 2½" (65mm) ~ 4" (100mm) with E-E POSITIONER		
DRAWN	M.Iwakiri	DATE	SCALE
CHECKED	H.Kawano	FEB.12.2019	
APPROVED	K.Koushou	DRAWING No.	
SPECIAL ORDER No.	D1-AE004AE		
<b>ASAHI YUKIZAI CORPORATION</b>			