

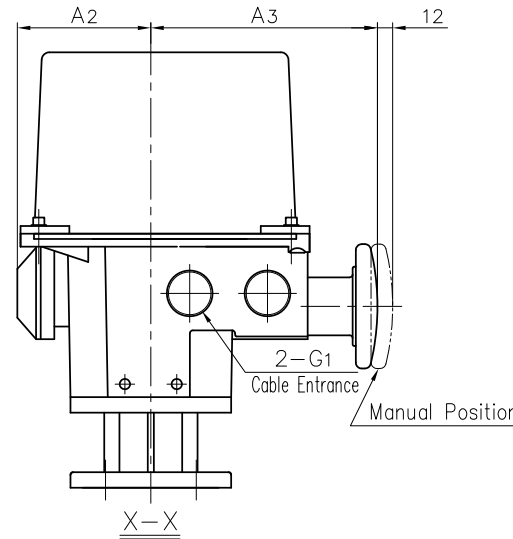
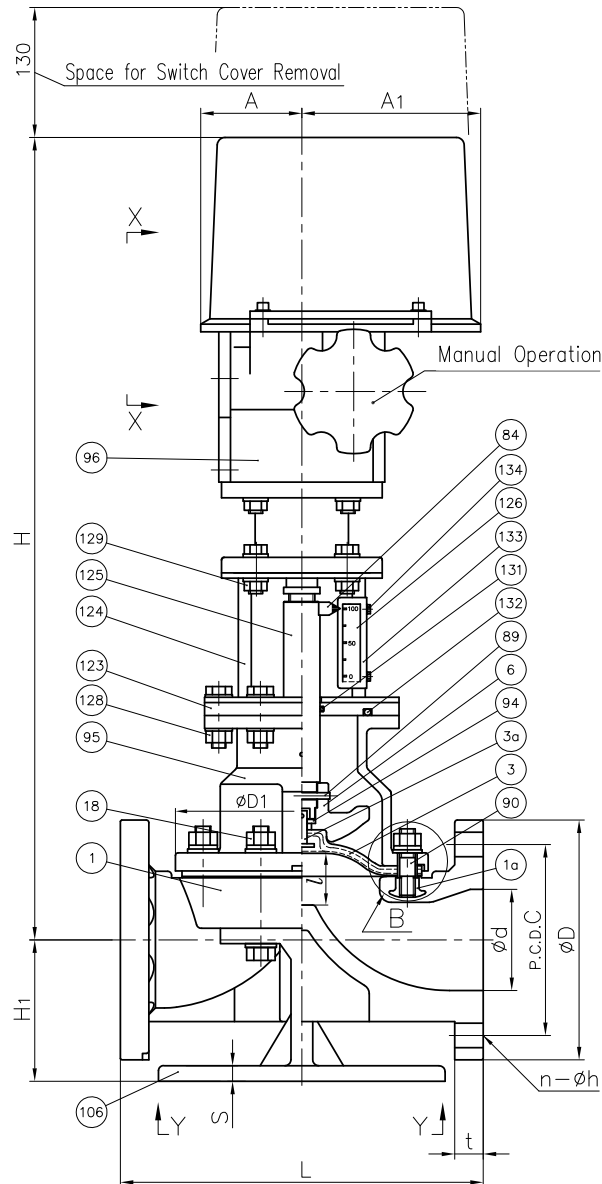
DIMENSIONS TABLE

UNIT : mm

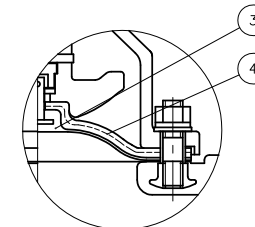
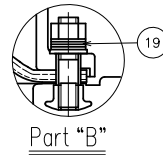
NOMINAL SIZE	d	ANSI Class 150					D1	L				t		l (LIFT)	H	H1	A	A1	A2	A3	S	S1	S2	S3	S4	S5	ACTUATOR MODEL
		D	C	n	h	GRINNELL STANDARD		AV STANDARD	PVC C-PVC	PP PVDF																	
65mm 2½"	67	178	139.5	4	19	175	-	250	22	23	34	608	98	79	137	103	177	12	155	190	160	190	19	CSP-471			
80	78	191	152.5	4	19	199	263.5	280	22	23	42	625	109	79	137	103	177	12	180	220	175	215	19	CSP-771			
100	100	229	190.5	8	19	239	328.5	340	22	24	50	655	119	79	137	103	177	15	230	270	220	260	19	CSP-771			

NOTE.

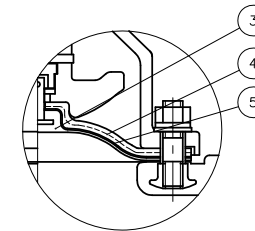
- Diaphragms except EPDM and PTFE are available in FKM, VIFLON® C (FKM-C), VIFLON® F (FKM-F), CSM and NBR when required.
- The shape and appearance of assembly differ a little with nominal size compared to this drawing.



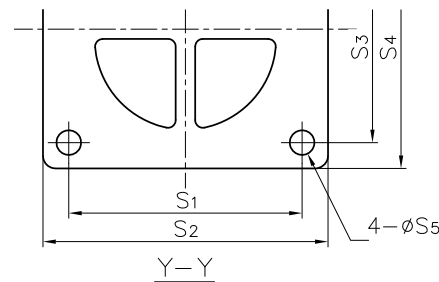
In Case of PVDF Body



In case material of diaphragm is PTFE.



In case material of diaphragm is PTFE with cushion cover.



No.	DESCRIPTION	QTY.	MATERIAL	REMARKS
1a	INSERTED NUT	4	COPPER ALLOY (C3604) STAINLESS STEEL (SUS304)	Used for PVC,C-PVC,PP Body Used for PVDF Body
134	SCREW (F)	2	STAINLESS STEEL (SUS304)	
133	INDICATOR PLATE	1	STAINLESS STEEL (SUS304)	
132	O-RING (K)	1	NBR	
131	O-RING (J)	1	NBR	
129	BOLTO · NUT (F)	4Sets	STAINLESS STEEL (SUS304)	
128	BOLTO · NUT (E)	6Sets	STAINLESS STEEL (SUS304)	
126	INDICATOR SEAL	1	ACRYL	
125	STEM (D)	1	COPPER ALLOY (C3604)	
124	STAND (A)	1	STAINLESS STEEL (SUS304)	
123	SPACER (A)	1	PVC	
106	STAND	1	STAINLESS STEEL (SUS304) CAST ALUMINIUM ALLOY (AC4C) (Epoxy Coat)	Used for Size 65mm Used for Size 80,100mm
96	ACTUATOR	1	ALUMINIUM etc.	
95	BONNET	1	CAST ALUMINIUM ALLOY (AC4A)	Epoxy Coat
94	METAL OF COMPRESSOR	1	STAINLESS STEEL (SUS304)	
90	STUD BOLT · NUT	4Sets	STAINLESS STEEL (SUS304)	
89	COMPRESSOR PIN	1	STAINLESS STEEL (SUS304)	
84	INDICATOR	1	STAINLESS STEEL (SUS304)	
19	CONICAL SPRING WASHER (A)	8Sets	STAINLESS STEEL (SUS304)	Used for PVDF Body
18	BOLT · NUT (A)	4Sets	STAINLESS STEEL (SUS304)	
6	COMPRESSOR	1	PVDF	
5	CUSHION COVER	1	<input type="checkbox"/> Noting <input type="checkbox"/> PVDF	Used for PTFE Diaphragm
4	CUSHION	1	EPDM	
3a	INSERTED METAL OF DIAPHRAGM	1	STAINLESS STEEL (SUS304)	
3	DIAPHRAGM	1	<input type="checkbox"/> EPDM <input type="checkbox"/> PTFE <input type="checkbox"/> Others ()	
1	BODY	1	<input type="checkbox"/> PVC <input type="checkbox"/> C-PVC <input type="checkbox"/> PP <input type="checkbox"/> PVDF	

ITEM	DIAPHRAGM VALVE (TYPE14) ELECTRIC MODEL TYPE M ASS'Y ANSI Class 150 : FLANGED END 65mm (2½") ~ 100mm (4") with E-P POSITIONER		
DRAWN	M.Iwakiri	DATE	SCALE
CHECKED	H.Kawano	AUG.15.2019	~
APPROVED	K.Koushou	DRAWING No.	
SPECIAL ORDER No.	D1-AE004AEm		
ASAHI YUKIZAI CORPORATION			