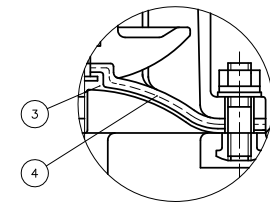
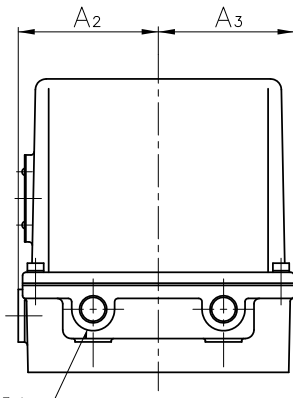
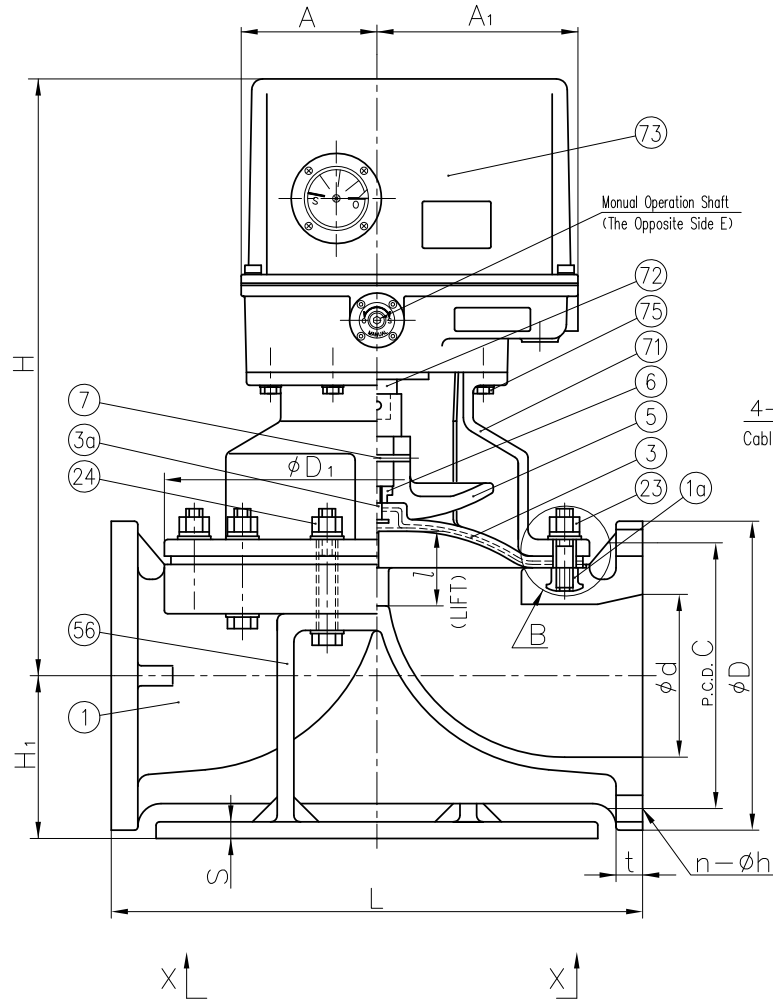
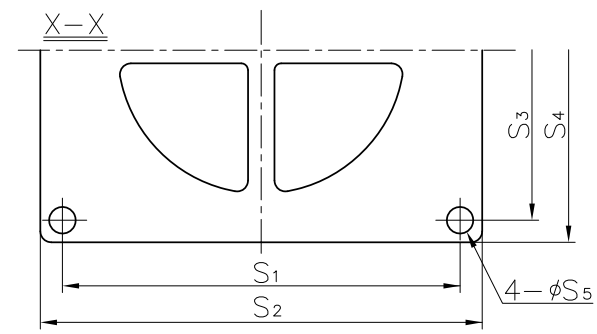
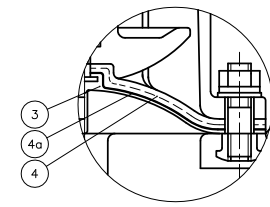
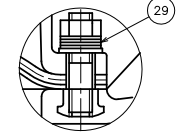


NOTE.

- Diaphragms except EPDM and PTFE are available in FKM, VIFLON<sup>®</sup> C (FKM-C), VIFLON<sup>®</sup> F (FKM-F), CSM and NBR when required.
- The shape and appearance of assembly differ a little with nominal size compared to this drawing.



In Case of PVDF Body



DIMENSIONS TABLE

UNIT: inch

NOMINAL SIZE	ANSI Class 150					L	t		D <sub>1</sub>	l	H	H <sub>1</sub>	A	A <sub>1</sub>	A <sub>2</sub>	A <sub>3</sub>	S	S <sub>1</sub>	S <sub>2</sub>	S <sub>3</sub>	S <sub>4</sub>	S <sub>5</sub>	ACTUATOR MODEL
	d	D	C	n	h		PVC	PP PVDF															
5" 125mm	4.92	10.00	8.50	8	0.88	16.14	0.87	0.94	12.60	2.36	20.08	5.63	4.92	7.28	5.08	4.92	0.59	12.20	13.78	11.02	12.60	0.91	ED-30H
6 150	5.83	11.00	9.50	8	0.88	18.90	0.94	1.06	15.16	2.76	21.65	5.83	4.92	7.28	5.08	4.92	0.63	14.17	15.75	12.20	13.78	0.91	ED-30H

No.	DESCRIPTION	QTY.	MATERIAL	REMARKS
1a	INSERTED NUT	4	COPPER ALLOY (C3604) STAINLESS STEEL (SUS304)	Used for PVC,C-PVC,PP Body Used for PVDF Body
75	BOLT (B)	8set	STAINLESS STEEL (SUS304)	
73	ACTUATOR	1	CAST ALUMINIUM ALLOY (AC2A etc.)	Melamin Baking Coat
72	STEM (B)	1	STAINLESS STEEL (SUS403)	
71	BONNET (B)	1	CAST ALUMINIUM ALLOY (AC4C)	Epoxy Coat.
56	STAND (A)	1	CAST ALUMINIUM ALLOY (AC4C)	Epoxy Coat.
29	CONICAL SPRING WASHER	-	STAINLESS STEEL (SUS304)	Used for PVDF Body
24	BOLT · NUT	-	STAINLESS STEEL (SUS304)	
23	STUD BOLT · NUT	4set	STAINLESS STEEL (SUS304)	
7	COMPRESSOR PIN	1	STAINLESS STEEL (SUS304)	
6	COMPRESSOR NUT	1	COPPER ALLOY (C3604)	
5	COMPRESSOR	1	PVDF	
4a	CUSHION COVER	1	<input type="checkbox"/> Nothing (standard) <input type="checkbox"/> PVDF	Used for PTFE Diaphragm
4	CUSHION	1	<input type="checkbox"/> EPDM <input type="checkbox"/> PTFE <input type="checkbox"/> Others ( )	Used for PTFE Diaphragm
3a	INSERTED METAL OF DIAPHRAGM (A)	1	STAINLESS STEEL (SUS304)	
3	DIAPHRAGM	1	<input type="checkbox"/> EPDM <input type="checkbox"/> PTFE <input type="checkbox"/> Others ( )	
1	BODY	1	<input type="checkbox"/> PVC <input type="checkbox"/> PP <input type="checkbox"/> PVDF	

ITEM	DIAPHRAGM VALVE (TYPE 15) ELECTRIC ACTUATED H TYPE ASSY ANSI Class150 : FLANGED END 5" (125mm), 6" (150mm)		
DRAWN	M.Iwakiri	DATE	SCALE
CHECKED	H.Kawano	FEB.12.2019	
APPROVED	K.Koushou	DRAWING No. D5-AE001AE	
SPECIAL ORDER No.	ASAHI YUKIZAI CORPORATION		