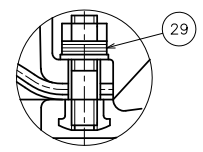


In Case of PVDF Body

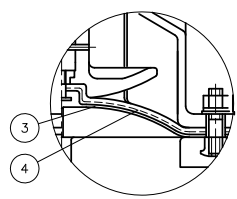
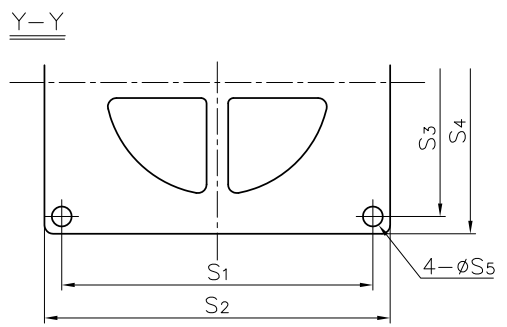
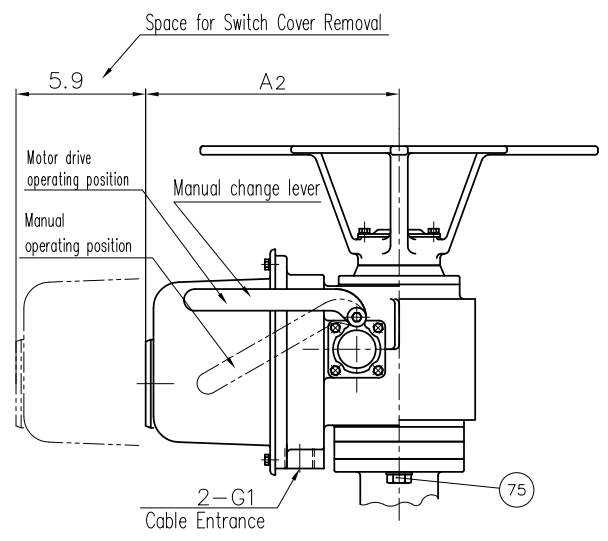
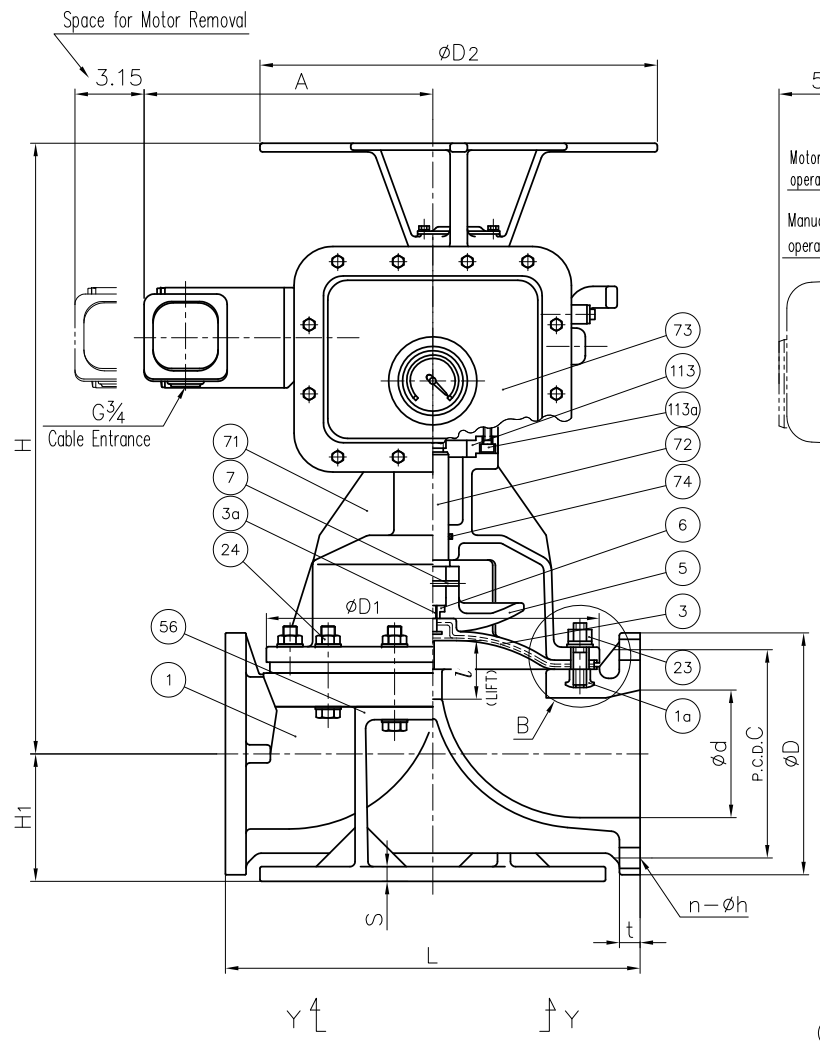


“B” Part

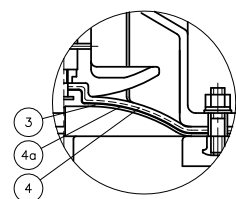
NOTE.

- Diaphragms except EPDM and PTFE are available in FKM, VIFLON[®] C (FKM-C), VIFLON[®] F (FKM-F), CSM and NBR when required.
- The shape and appearance of assembly differ a little with nominal size compared to this drawing.

No.	DESCRIPTION	QTY.	MATERIAL	REMARKS
1a	INSERTED NUT	4	COPPER ALLOY (C3604) STAINLESS STEEL (SUS304)	Used for PVC,C-PVC,PP Body Used for PVDF Body
113a	BOLT (F)	4	STAINLESS STEEL (SUS304)	
113	SPACER	1	SS400	Epoxy Coat.
75	BOLT (B)	4set	STAINLESS STEEL (SUS304)	
74	O-RING (H)	1	NBR	
73	ACTUATOR	1	CAST ALUMINIUM ALLOY (FC250 etc.)	Epoxy Coat.
72	STEM (B)	1	STAINLESS STEEL (SUS403)	
71	BONNET (B)	1	CAST ALUMINIUM ALLOY (AC4C)	Epoxy Coat.
56	STAND (A)	1	CAST ALUMINIUM ALLOY (AC4C)	Epoxy Coat.
29	CONICAL SPRING WASHER	12set	STAINLESS STEEL (SUS304)	Used for PVDF Body
24	BOLT · NUT	8set	STAINLESS STEEL (SUS304)	
23	STUD BOLT · NUT	4set	STAINLESS STEEL (SUS304)	
7	COMPRESSOR PIN	1	STAINLESS STEEL (SUS304)	
6	COMPRESSOR NUT	1	COPPER ALLOY (C3604)	
5	COMPRESSOR	1	PVDF	
4a	CUSHION COVER	1	<input type="checkbox"/> Nothing (standard) <input type="checkbox"/> PVDF	Used for PTFE Diaphragm
4	CUSHION	1	<input type="checkbox"/> EPDM <input type="checkbox"/> Others ()	Used for PTFE Diaphragm
3a	INSERTED METAL OF DIAPHRAGM (A)	1	STAINLESS STEEL (SUS304)	
3	DIAPHRAGM	1	<input type="checkbox"/> EPDM <input type="checkbox"/> PTFE <input type="checkbox"/> Others ()	
1	BODY	1	<input type="checkbox"/> PVC <input type="checkbox"/> PP <input type="checkbox"/> PVDF	



In case material of diaphragm is PTFE.



In case material of diaphragm is PTFE with cushion cover.

DIMENSIONS TABLE

NOMINAL SIZE	ANSI Class 150										UNIT : inch										ACTUATOR MODEL			
	d	D	C	n	h	L	t	PVC	PP	PVDF	D1	D2	l	H	H1	A	A2	S	S1	S2	S3	S4	S5	AUTO RECOVER TYPE
6" 150mm	5.83	11.00	9.50	8	0.88	18.90	0.94	1.06	15.16	18.11	2.76	28.11	5.83	14.06	11.54	0.63	14.17	15.75	12.20	13.78	0.91	LTMD-01	LTKD-01	

ITEM	DIAPHRAGM VALVE (TYPE 15) ELECTRIC ACTUATED S TYPE ASSY ANSI Class150 : FLANGED END 6" (150mm)		
DRAWN	M.Iwakiri	DATE	SCALE
CHECKED	H.Kawano	AUG.20.2019	
APPROVED	K.Koushou	DRAWING No. D5-AE003AE	
SPECIAL ORDER No.	ASAHI YUKIZAI CORPORATION		