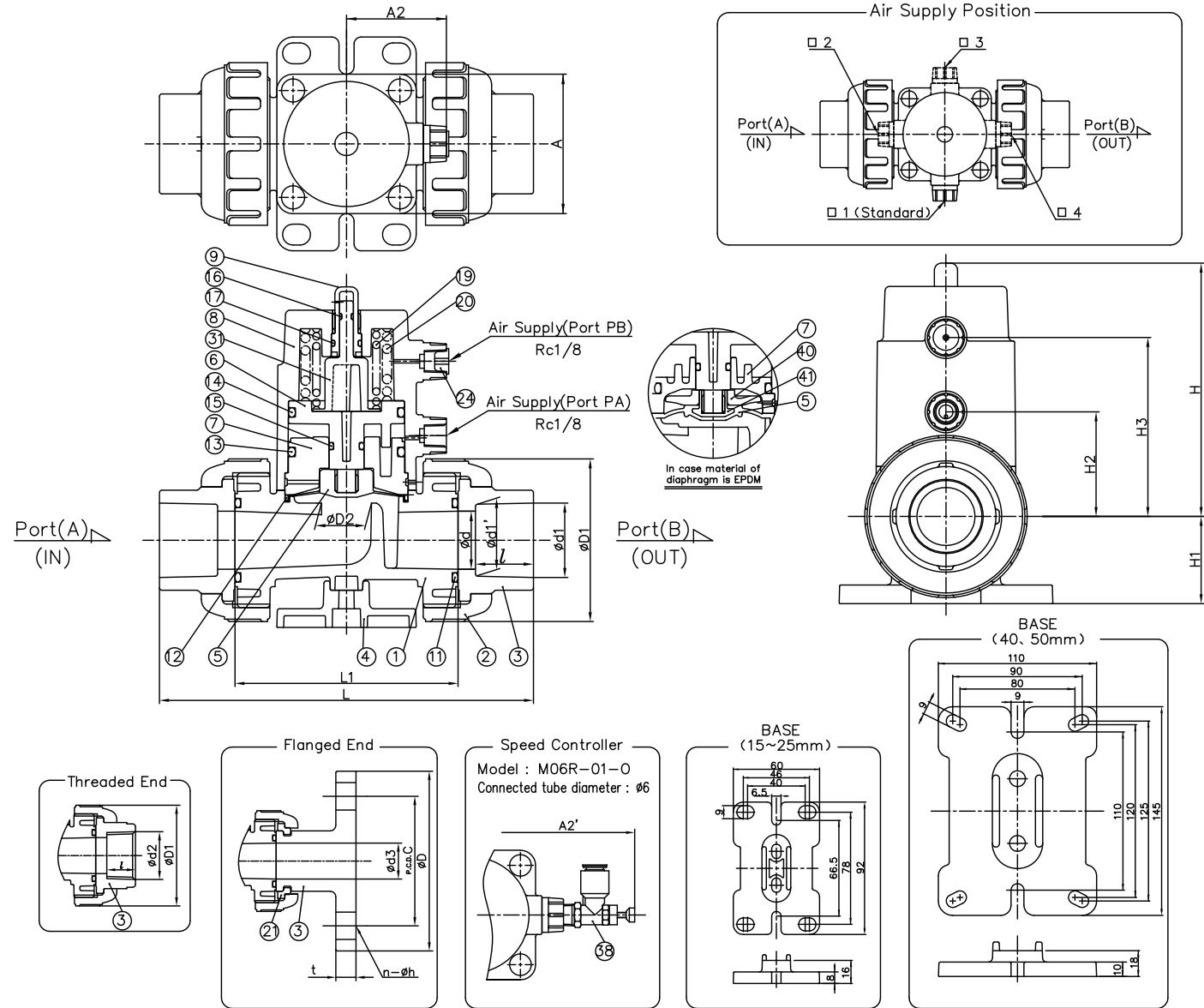


DIMENSIONS TABLE

UNIT: mm

NOMINAL SIZE	SOCKET END						THREADED END			FLANGED END						A2'	A2 (MAX)									
	PVC			PVC			PVC			L1	D1	D2	H	H1	H2			H3	A	A2						
	ASTM SCH80			ANSI CLASS 150			C	n	h												L	t				
	d	d1	d1'	d2	l	L																	d3	D	C	n
1/2"	15mm	16	21.54	21.23	22.23	128	1/2 -14NPT	15	117.0	15	89	60.5	4	16	158	12	79.0	48	16	79.0	33.0	33	60	□50	38	71
3/4"	20	20	26.87	26.57	25.4	148	3/4 -14NPT	17	139.0	20	98	70	4	16	191	14	88.0	60	22	108.0	36.5	44	76	□60	43	76
1"	25	25	33.66	33.27	28.58	164	1 -11 1/2NPT	20	149.5	25	108	79.5	4	16	205	14	94.5	70	22	109.0	37.5	45	77	□60	43	76
1 1/2"	40	40	48.56	48.11	34.93	236	1 1/2 -11 1/2NPT	25	215.0	40	127	98.5	4	16	264	16	146.0	100	40	161.5	53.0	68	115	□95	60	93.5
2"	50	52	60.63	60.17	38.1	272	2 -11 1/2NPT	28	260.0	50	152	120.5	4	19	297	16	177.0	126	50	188.5	66.0	83	137	□115	70.5	103.5

NOTE 1. Operating pressure : Air To Open : 0.4MPa ~ 0.5MPa  
 Double Acting : 0.3MPa ~ 0.4MPa  
 2. Air To Open : Valve Open : Port(PA) Supply  
 : Valve Close : Port(PB) Exhaust  
 Double Acting : Valve Open : Port(PA) Supply, Port(PB) Exhaust  
 : Valve Close : Port(PA) Exhaust, Port(PB) Supply  
 3. Choose a position of Air Supply and Speed Controller  
 4. The shape and appearance of assembly differ a little with nominal size compared to this drawing.  
 5. The diaphragm material of 40mm and 50mm is only PTFE.



41	INSERTED METAL OF DIAPHRAGM	1	STAINLESS STEEL (SUS304)	Used For EPDM diaphragm
40	COMPRESSOR	1	PVDF	Used For EPDM diaphragm
38	SPEED CONTROLLER	1	POM/ COPPERALLOY (C3604ED)	Air To Open □ Attached □ Nothing
		2		Double Acting □ Attached □ Nothing
31	INDICATOR (A)	1	1-1/2" and 2": PP 1/2" thru. 1": ABS	
30	NUT	4	STAINLESS STEEL (SUSXM7)	Does Not Figure
29	SPRING WASHER	4		
28	WASHER	4		
26	BOLT (B)	2		
25	BOLT (A)	4		
24	PLUG	1	EPDM	Used For Air To Open
22	CAP (A)	8		Does Not Figure
21	STOP RING	2	PVDF	Used For Flanged End
20	SPRING (B) <sup>1)</sup>	1	STAINLESS STEEL (SUS304)	Used For Air To Open 1) used for size 1/2"-2"
19	SPRING (A)	1		
17	O-RING (G)	1	□ EPDM □ FKM □ FKM-F	1) used for size 1/2"-1"
16	O-RING (F)	1		
15	O-RING (E)	1		
14	O-RING (D)	1		
13	O-RING (C)	1		
12	O-RING (B)	1		Used For PTFE diaphragm
11	O-RING (A)	2		
9	GAUGE COVER (A)	1	PC	
8	CYLINDER BODY	1		
7	BUSH	1	PPSG	
6	PISTON	1		
5	DIAPHRAGM	1	□ PTFE □ EPDM	
4	BASE	1		
3	END CONNECTOR	2	PVC	
2	UNION NUT	2		
1	BODY	1		
No.	DESCRIPTION	QTY.	MATERIAL	REMARKS

ITEM	DIAPHRAGM VALVE TYPE16 PNEUMATIC ACTUATED MODEL TYPE AD ASSY □AIR TO OPEN, □DOUBLE ACTING ANSI : □SOCKET END, □THREADED END, □FLANGED END 1/2"(15mm) ~ 2"(50mm)		
DRAWN	M.Iwakiri	DATE	SCALE
CHECKED	H.Kawano	MAR.21.2019	~
APPROVED	K.Koushou	DRAWING No.	
SPECIAL ORDER No.	D6-AA001AE m		
ASAHI YUKIZAI CORPORATION			