

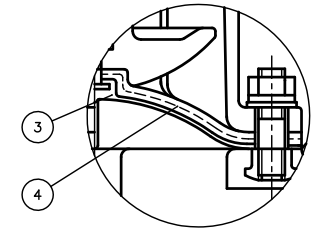
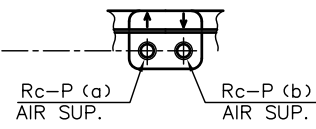
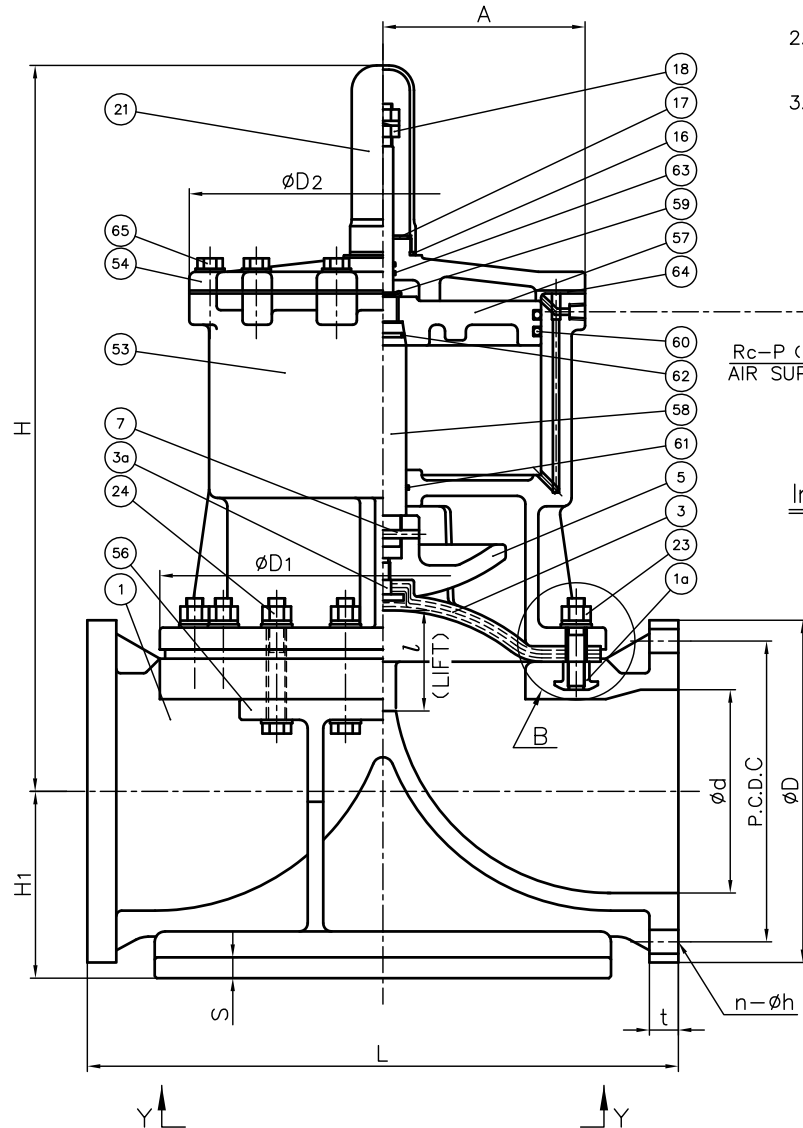
DIMENSIONS TABLE

Unit:mm

Nominal Size	d	DIN PN10					L	t		D1	D2	A	l	H	H1	S	S1	S2	S3	S4	S5	P
		D	C	n	h	PVC		PP	PVDF													
200mm	8"	196	340	295	8	22	600	30	34	430	385	195	95	742	179	20	390	440	330	380	23	3/8
250	10	247	395	350	12	22	730	34	36	540	520	260	128	890	215	23	470	540	390	460	25	3/8

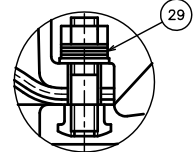
NOTE.

1. Operation of permission pressure:0.4~0.6MPa G  
Valve open :Port (a) Supply, Port (b) Exhaust  
Valve shut :Port (a) Exhaust, Port (b) Supply
2. Diaphragms except EPDM and PTFE are available in FKM,VIFLON<sup>®</sup> C (FKM-C),VIFLON<sup>®</sup> F (FKM-F),CSM and NBR when required.
3. The shape and appearance of assembly differ a little with nominal size compared to this drawing.

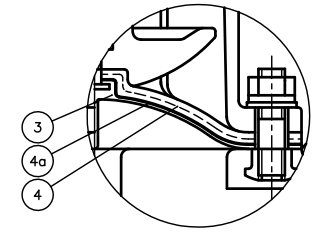


In case material of diaphragm is PTFE

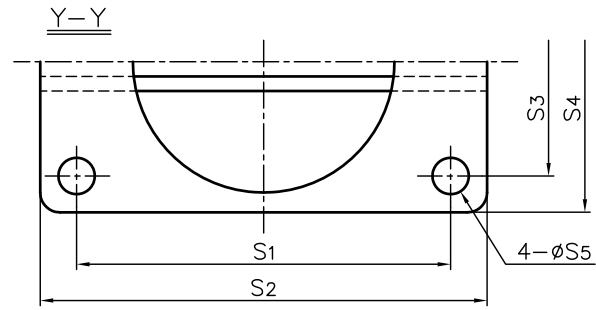
In Case of PVDF Body



"B" Part



In case material of diaphragm is PTFE with cushion cover



1a	INSERTED NUT	—	STAINLESS STEEL (SUS304) COPPER ALLOY (C3604)	Used for PVDF Body Used for PVC,PP Body
65	BOLT (A)	—	STAINLESS STEEL (SUS304)	
64	SHEET GASKET (C)	1	NBR	
63	O-RING (G)	2	NBR	
62	O-RING (F)	1	NBR	
61	O-RING (E)	1	NBR	
60	O-RING (D)	2	NBR	
59	STEM PIN	1	SPRING STEEL (SUP)	
58	STEM (A)	1	STAINLESS STEEL (SUS304)	
57	PISTON	1	CAST ALUMINIUM ALLOY (AC5A)	
56	STAND (A)	1	CAST ALUMINIUM ALLOY (AC4C)	Epoxy Coat
54	CYLINDER BONNET	1	CAST ALUMINIUM ALLOY (AC4C)	Epoxy Coat
53	CYLINDER BODY	1	CAST ALUMINIUM ALLOY (AC4C)	Epoxy Coat
29	CONICAL SPRING WASHER	—	STAINLESS STEEL (SUS304)	Used for PVDF Body
24	BOLT·NUT (A)	8 Sets	STAINLESS STEEL (SUS304)	
23	STUD BOLT·NUT	—	STAINLESS STEEL (SUS304)	
21	GAUGE COVER	1	PC	
18	STOPPER	1	STAINLESS STEEL (SUS304)	
17	SHEET RING	1	STAINLESS STEEL (SUS304)	
16	SHEET GASKET (A)	1	EPDM	
7	COMPRESSOR PIN	1	STAINLESS STEEL (SUS304)	
5	COMPRESSOR	1	Chromized CAST IRON (FC200)	
4a	CUSHION COVER	1	□Nothing □PVDF	Used for PTFE Diaphragm
4	CUSHION	1	EPDM	
3a	INSERTED METAL OF DIAPHRAGM (A)	1	STAINLESS STEEL (SUS304)	
3	DIAPHRAGM	1	□EPDM □PTFE □Others ( )	
1	BODY	1	□PVC □PP □PVDF	

No.	DESCRIPTION	QTY.	MATERIAL	REMARKS
ITEM	DIAPHRAGM VALVE (TYPE 72) PNEUMATIC ACTUATED MODEL TYPE AV ASSY DOUBLE ACTING DIN PN10 : FLANGED END 200mm (8"), 250mm (10")			
DRAWN	M.Iwakiri	DATE	SCALE	
CHECKED	H.Kawano	FEB.12.2019		~
APPROVED	K.Koushou	DRAWING No.		
		DF-AA005DE		▲
SPECIAL ORDER No.	ASAHI YUKIZAI CORPORATION			