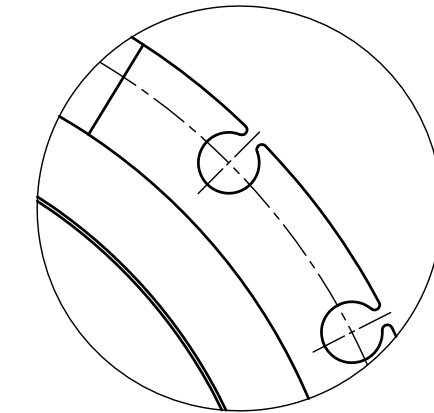
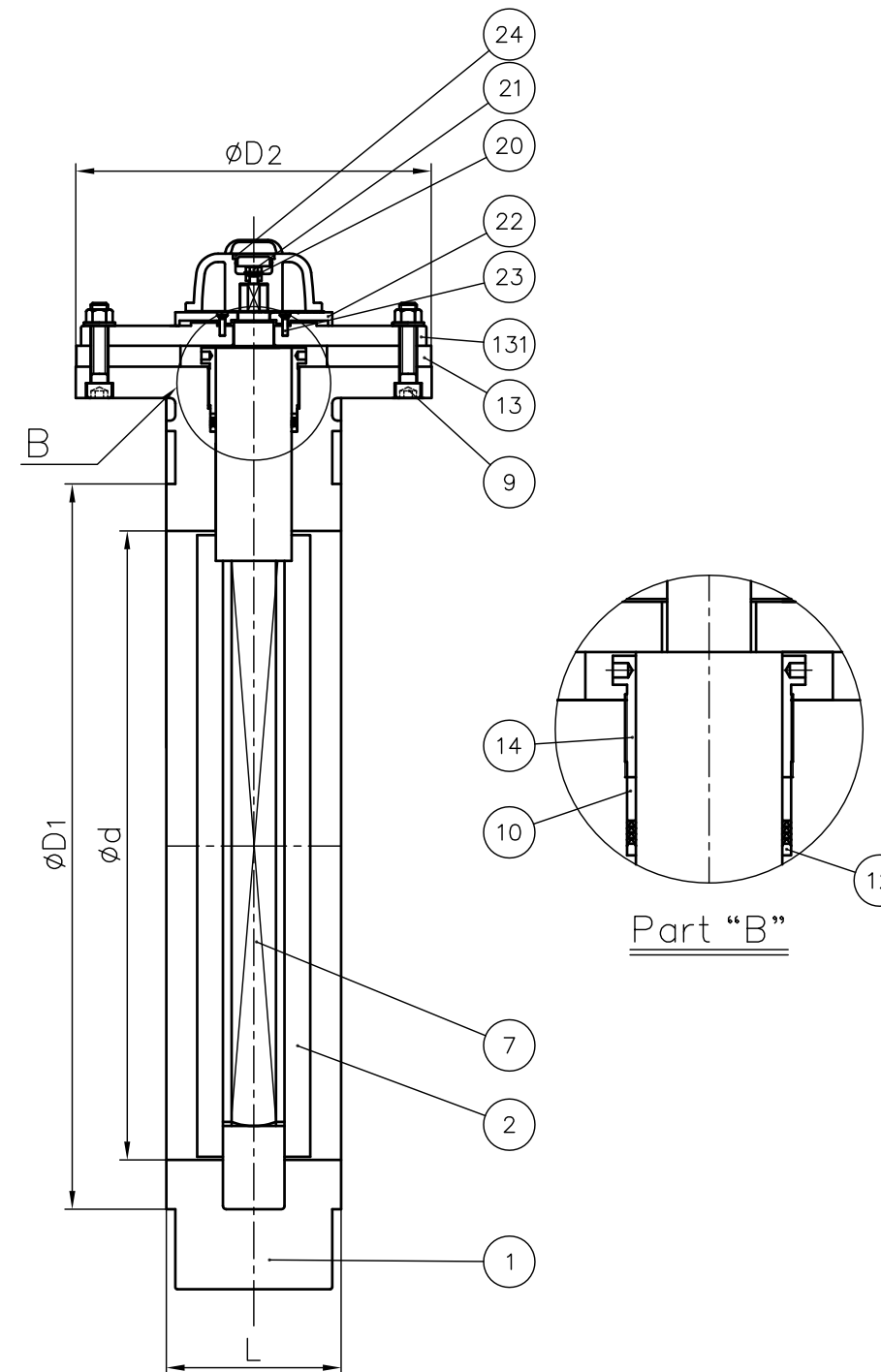
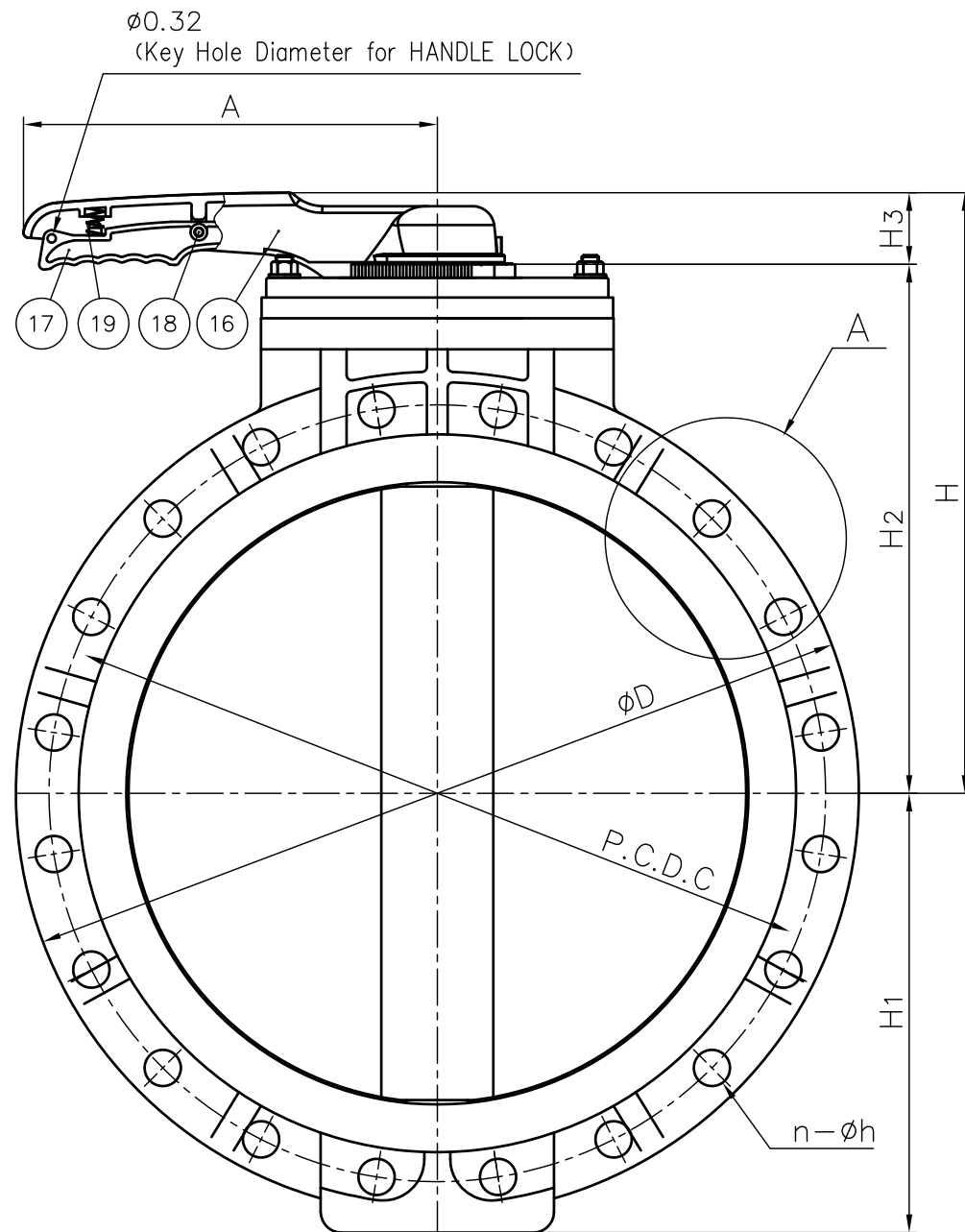


24" (600mm) : PVDF
ANSI
The shape of the piping bolt hole



Part "A"

131	STEM HOLDER (C)	1	PP	
24	CAP (A)	1	PP	
23	SCREW (B)	4	STAINLESS STEEL (SUS304)	
22	LOCKING PLATE	1	PPG	
21	BOLT (B)	1	STAINLESS STEEL (SUS304)	
20	WASHER (A)	1	STAINLESS STEEL (SUS304)	
19	SPRING	1	STAINLESS STEEL (SUS304)	
18	PIN	1	PPG	
17	HANDLE LEVER	1	PPG	
16	HANDLE (A)	1	PP	
14	GLAND	1	PVDF	
13	SPACER (A)	1Set	C-PVC	
12	V-PACKING	1Set	PTFE	
10	BUSH (A)	1	PVDF	
9	BOLT·NUT (A)	3Sets	STAINLESS STEEL (SUS304)	
7	STEM	1	PVDF	
2	DISC	1	PVDF	
1	BODY	1	PVDF	
No.	DESCRIPTION	QTY.	MATERIAL	REMARKS



Part "B"

DIMENSIONS TABLE

Unit : inch

Nominal Size	d	ANSI Class 150			D	D ₁	D ₂	L	H ₁	H ₂	H ₃	H	A
		C	n	h									
18" 450mm	17.80	22.75	16	1.25	24.80	20.67	13.39	6.57	12.40	17.40	2.72	19.33	15.75
20 500	19.76	25.00	20	1.25	26.77	22.64	13.39	6.97	13.78	17.80	2.72	20.51	15.75
24 600	23.74	29.50	20	1.38	31.10	27.01	13.39	7.76	16.69	20.35	2.72	23.07	15.75

NOTE. The shape and appearance of assembly differ a little with nominal size compared to this drawing.

ROTARY DAMPER (TYPE 75) ASS'Y
LEVER TYPE : ANSI Class 150
18" (450mm) ~24" (600mm)

DRAWN	M.Oosako	DATE	SCALE
CHECKED	H.Kawano	NOV.25.2011	~
APPROVED	Y.Ozaki	DRAWING No.	
SPECIAL ORDER No.		DP-M1003AE	

ASAHI YUKIZAI CORPORATION