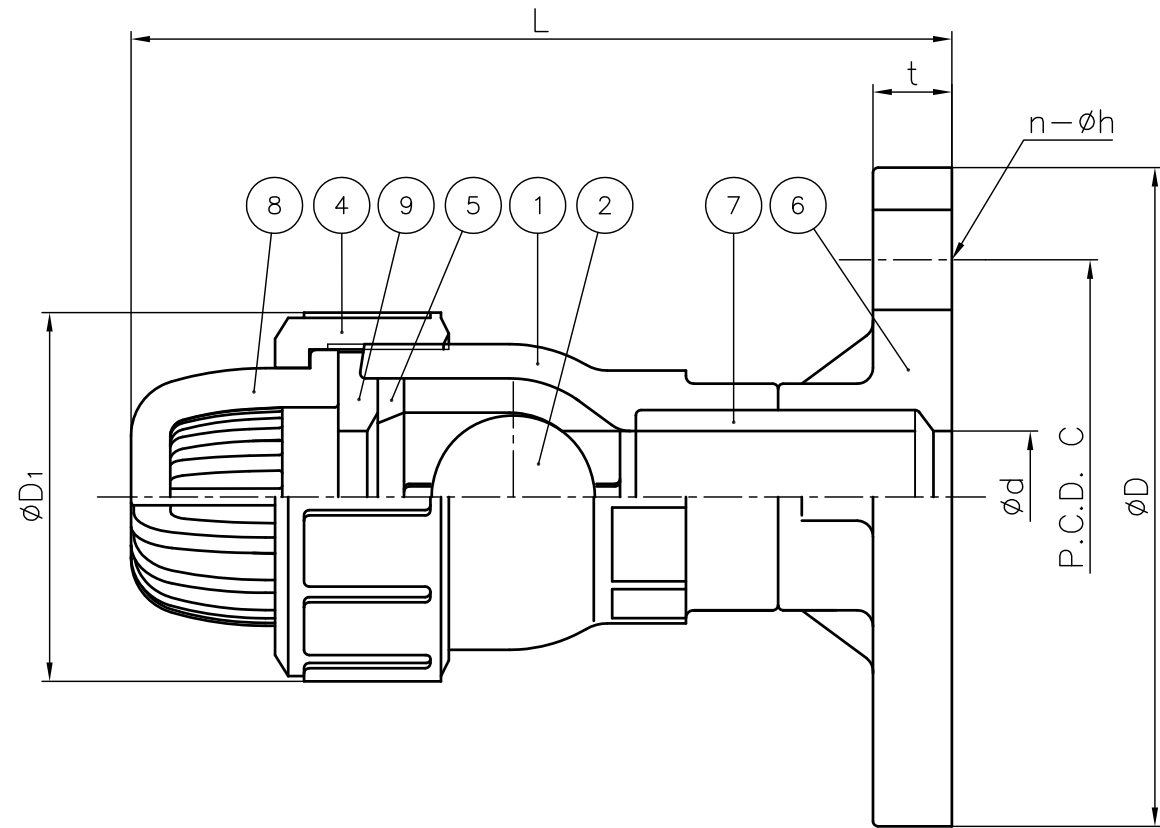
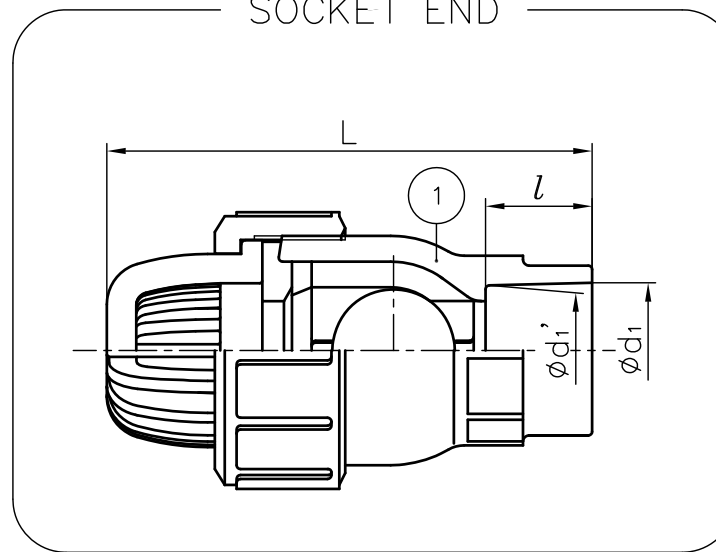


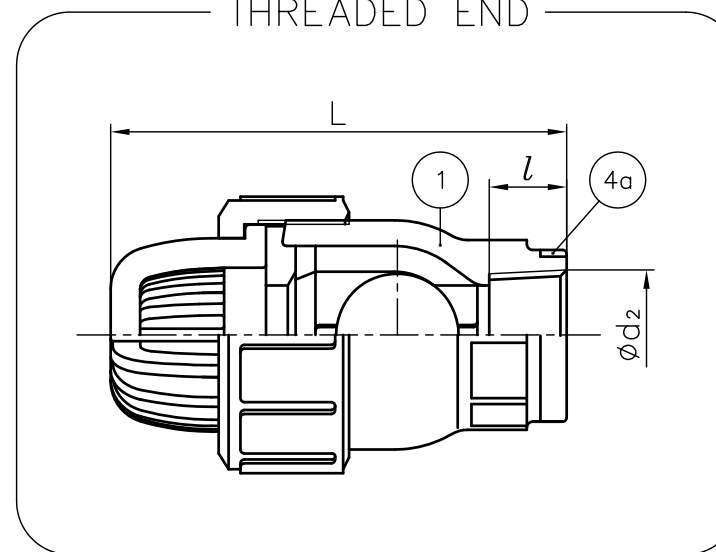
FLANGED END



SOCKET END



THREADED END



DIMENSIONS TABLE

UNIT : inch

NOMINAL SIZE	d	D ₁	FLANGED END							SOCKET END (IPS)				THREADED END			
			ANSI Class 150				L	t	ASTM SCH40			d ₂	l	L			
			D	C	n	h			d ₁	d ₁ '	l			L	PVC C-PVC	PVDF PP	
1/2"	15mm	0.71	1.89	3.50	2.38	4	0.62	5.55	0.47	0.848	0.836	0.69	3.74	1/2- 14 NPT	0.59	3.54	3.46
3/4"	20	0.87	2.36	3.88	2.75	4	0.62	6.42	0.51	1.058	1.046	0.72	4.17	3/4- 14 NPT	0.67	4.06	3.98
1"	25	0.98	2.76	4.25	3.12	4	0.62	6.73	0.59	1.325	1.310	0.87	4.76	1- 11 1/2 NPT	0.79	4.49	4.37
1 1/2"	40	1.61	3.78	5.00	3.88	4	0.62	9.80	0.63	1.912	1.894	1.09	6.97	1 1/2- 11 1/2 NPT	0.98	6.77	6.65
2"	50	2.05	4.17	6.00	4.75	4	0.75	10.91	0.79	2.387	2.369	1.16	7.60	2- 11 1/2 NPT	1.10	7.44	7.24
3"	80	3.07	5.98	7.50	6.00	4	0.75	16.10	0.87	3.516	3.492	1.87	12.09	3- 8 NPT	1.38	11.57	11.34
4"	100	3.94	8.27	9.00	7.50	8	0.75	20.41	0.87	4.518	4.491	2.00	14.96	4- 8 NPT	1.77	14.7	14.41

NOTE: The shape and appearance of assembly differ a little with nominal size compared to this drawing.

4a	RING 1)	1	STAINLESS STEEL (SUS304)	1) Used for C-PVC Body. Threaded End : 1/2"~1"
9	SEAT	1	□EPDM □FKM □Others ()	
8	SCREEN	1	FLANGED END	2) Used for Flanged End.
7	PIPE 2)	1	□PVC □C-PVC	
6	FLANGE 2)	1	SOCKET END	
5	STOP RING (A)	1	□PVC □C-PVC	
4	UNION NUT	1	THREADED END	
2	BALL	1	□PVC □C-PVC □PP □PVDF	
1	BODY	1		
No.	DESCRIPTION	QTY.	MATERIAL	REMARKS

ITEM	BALL FOOT VALVE ASS'Y ANSI : □FLANGED END, □SOCKET END, □THREADED END 1/2" (15mm) ~ 4" (100mm)		
DRAWN	M.Oosako	DATE	SCALE
CHECKED	H.Kawano	DEC.20.2011	~
APPROVED	Y.Ozaki	DRAWING No.	
SPECIAL ORDER No.		FT-60003AE	
ASAHI YUKIZAI CORPORATION			