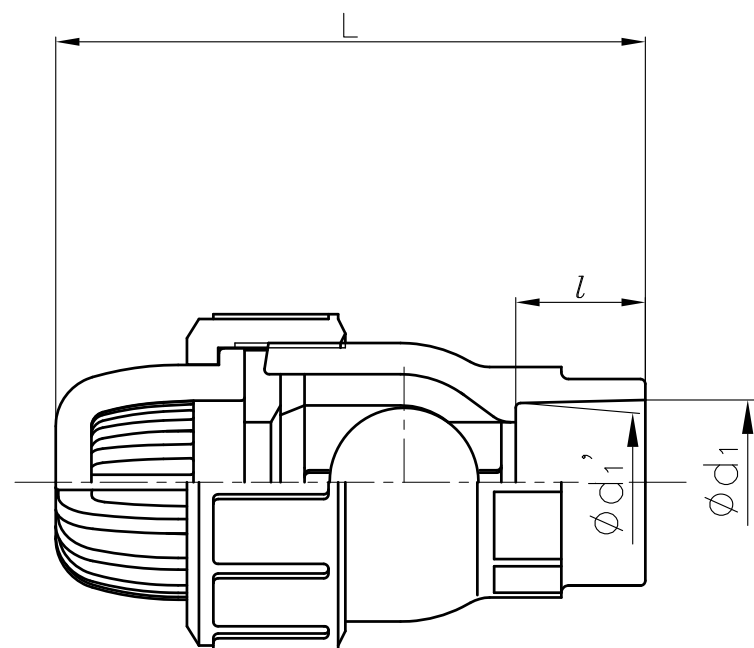
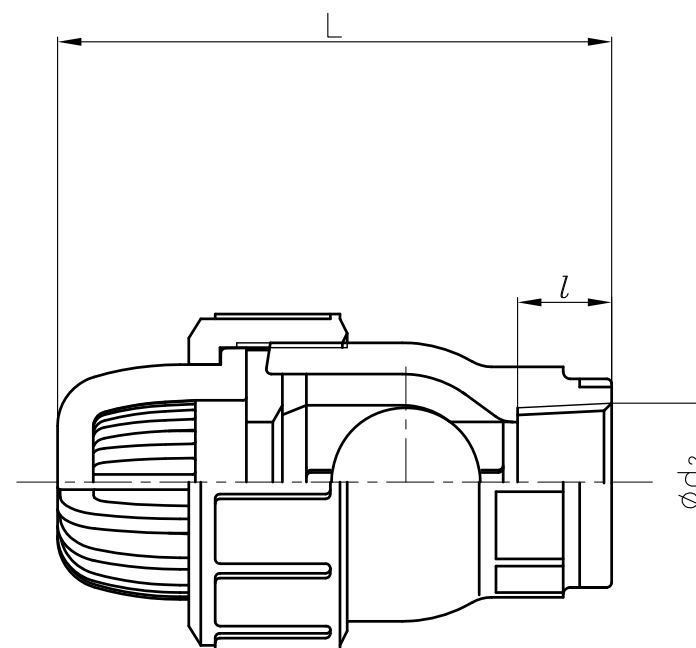


SOCKET END



THREADED END



DIMENSION TABLE

UNIT : mm

NOMINAL SIZE	D ₁	SOCKET END								THREADED END			
		PVC, C-PVC			PP, PVDF					d ₂	l	L	
		d ₁	l	L	d ₁	d ₁ '	l	L	PVC C-PVC			PVDF PP	
15mm 1/2"	48	20	16	91	19.5	19.3	14.5	89	Rp1/2	15	90	88	
20 3/4	60	25	19	105	24.5	24.3	16	101	Rp3/4	17	103	101	
25 1	70	32	22	116	31.5	31.3	18	111	Rp1	20	114	111	
40 1 1/2	96	50	31	178	49.45	49.2	23.5	169	Rp1 1/2	25	172	169	
50 2	106	63	38	199	62.5	62.1	27.5	187	Rp2	28	189	184	
80 3	152	90	51	310	89.2	88.85	35.5	293	Rp3	35	294	288	
100 4	210	110	61	390	109.05	108.65	41.5	368	Rp4	45	374	366	

NOTE. The shape and appearance of assembly differ a little with nominal size compared to this drawing.

No.	DESCRIPTION	QTY.	MATERIAL	REMARKS
4a	RING 1)	1	STAINLESS STEEL (SUS304)	1) Used for C-PVC body, threaded end: 15~25mm
9	SEAT	1	□EPDM □FKM □Others ()	
8	SCREEN	1	□U-PVC □C-PVC □PP □PVDF	
5	STOP RING (A)	1		
4	UNION NUT	1		
2	BALL	1		
1	BODY	1		

ITEM	BALL FOOT VALVE ASS'Y DIN: □SOCKET END, □THREADED END 15mm (1/2") ~ 100mm (4")		
DRAWN	M.Oosako	DATE	SCALE
CHECKED	H.Kawano	MAR.13.2009	~
APPROVED	Y.Ozaki	DRAWING No. FT-60003DE	
SPECIAL ORDER No.			
ASAHI YUKIZAI CORPORATION			