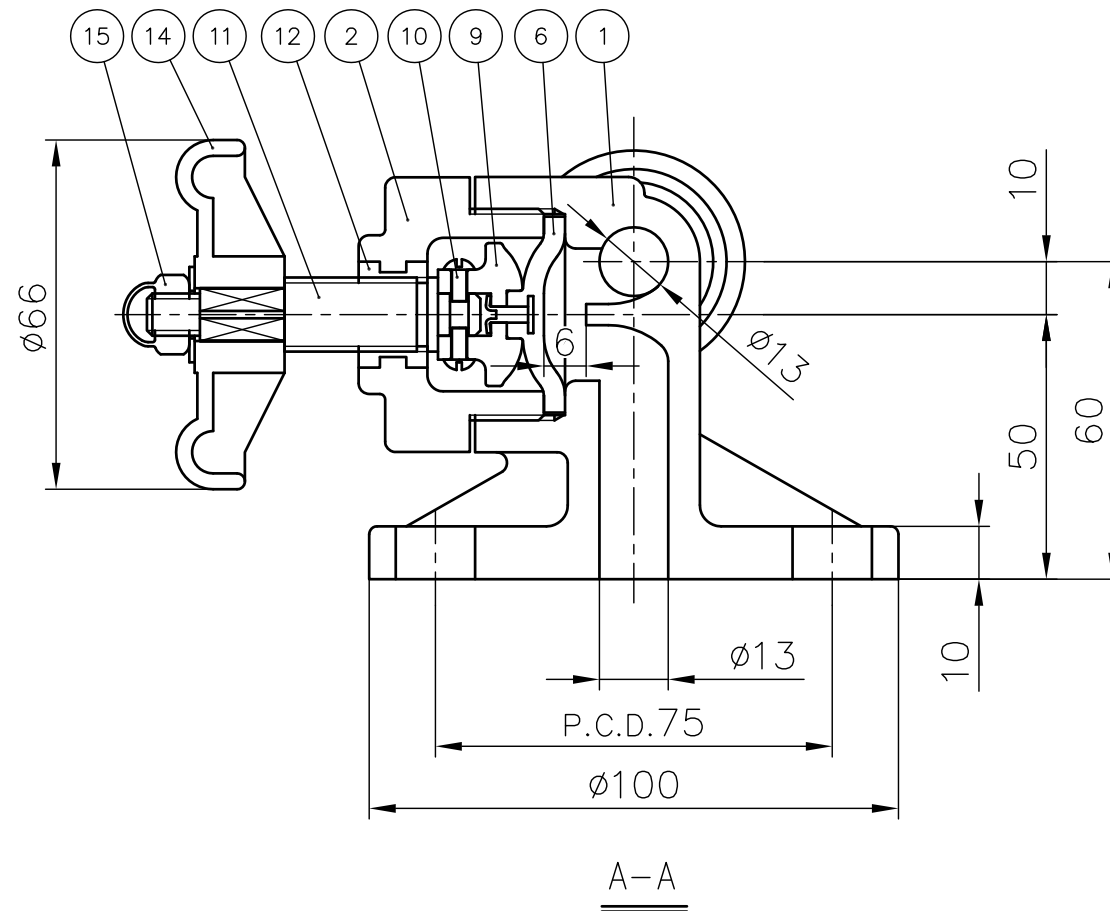


In case of
used for PTFE DIAPHRAGM



15	NUT	1	STAINLESS (SUS304)	
14	HAND WHEEL	1	PP	
12	INDICATION OF MATERIAL	1	COPPER ALLOY (C3604)	
11	STEM	1	COPPER ALLOY (C3604)	
10	COMPRESSOR PIN	2	STAINLESS (SUS304)	
9	COMPRESSOR	1	PVDF	
8	O-RING (B)	1	□EPDM □FKM	
7	O-RING (A)	2	□PTFE ¹⁾ □Others ()	
6	DIAPHRAGM	1		Material of (No.6) is FKM in case of used for (No.6a).
6a	PTFE DIAPHRAGM	1	PTFE	¹⁾ Used in case of PTFE choice.
5	DRAIN PLUG	1		
4	GLAND	1	□PVC	
3	GLAND NUT	1	□PP	
2	BONNET	1	□PVDF	
1	BODY	1		
No.	DESCRIPTION	QTY.	MATERIAL	REMARKS

ITEM		GAUGE VALVE ASS'Y DIN : 20 ^{mm} (3/4")		
DRAWN	M.Oosako	DATE	SCALE	
CHECKED	H.Kawano	JAN.23.2009	~	
APPROVED	Y.Ozaki	DRAWING No.		
SPECIAL ORDER No.		GE-60001DE		②
ASAHI YUKIZAI CORPORATION				