

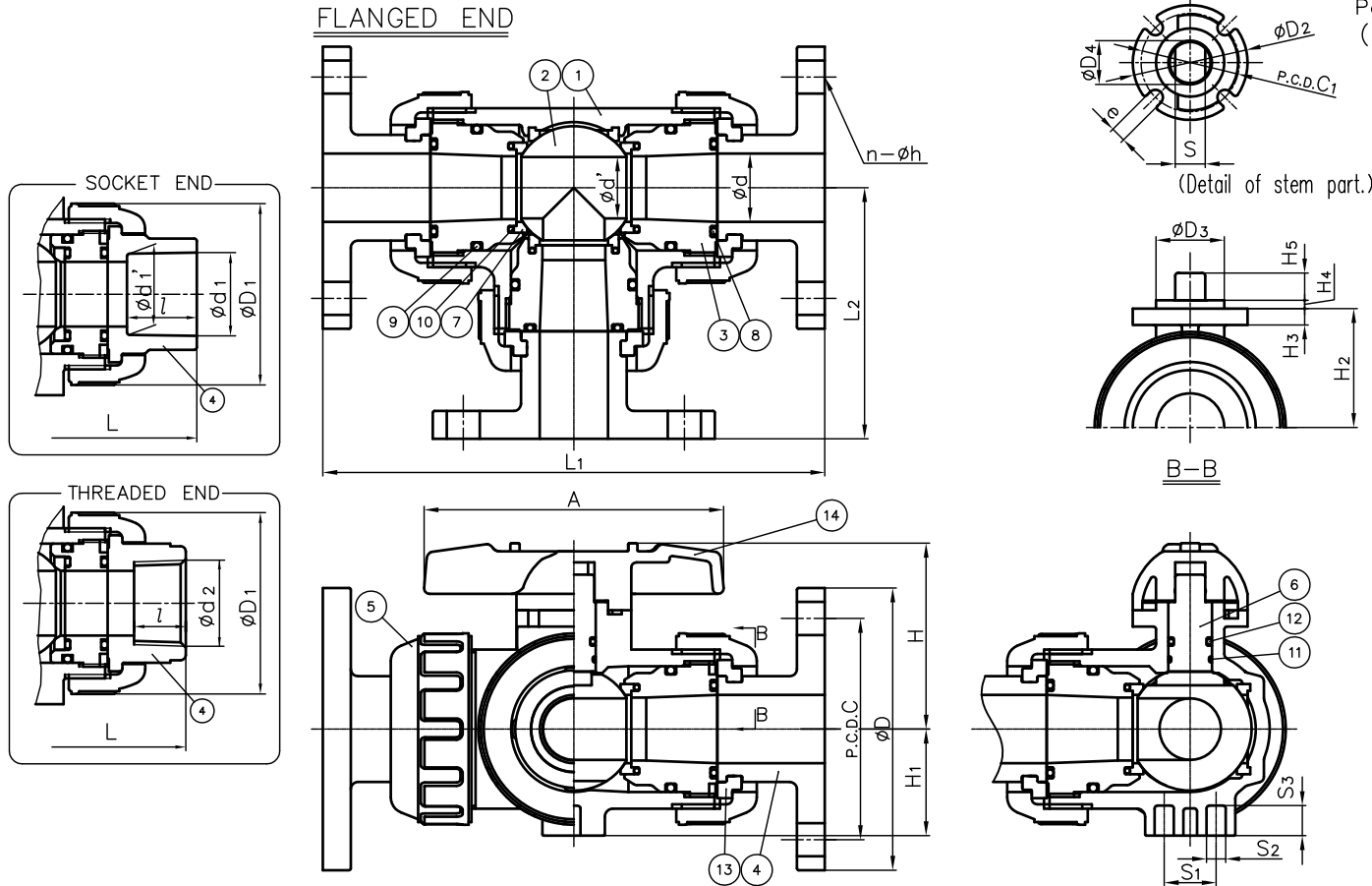
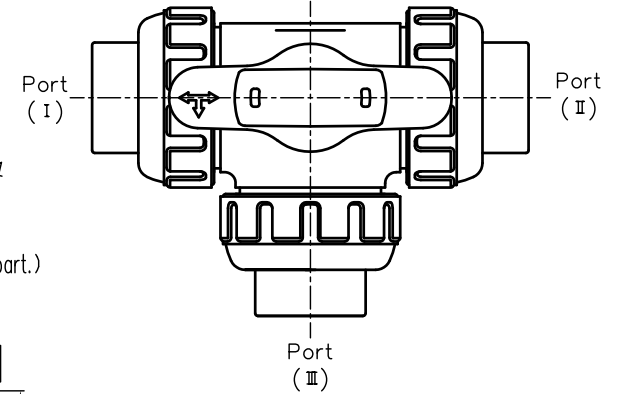
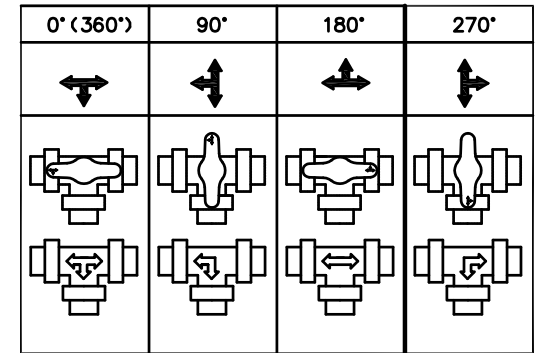
DIMENSIONS TABLE

NOMINAL SIZE	FLANGED END								SOCKET END				THREADED END			
	ANSI Class 150								d ₁	l	L ₁	L ₂	d ₂	l	L ₁	L ₂
	D	C	n	h	t	L ₁	L ₂									
25mm 1"	4.25	3.12	4	0.62	0.55	8.50	4.25	1.30	1.13	6.77	3.39	1-11 1/2NPT	0.79	6.26	3.13	
32 1 1/4"	4.62	3.50	4	0.62	0.63	10.24	5.12	1.65	1.25	8.74	4.37	1 1/4-11 1/2NPT	0.87	8.19	4.09	
40 1 1/2"	5.00	3.88	4	0.62	0.63	10.24	5.12	1.89	1.37	8.94	4.47	1 1/2-11 1/2NPT	0.98	8.19	4.09	

UNIT : inch

NOMINAL SIZE	d	d'	D ₁	D ₂	D ₃	D ₄	C ₁	H	H ₁	H ₂	H ₃	H ₄	H ₅	A	S	S ₁	S ₂	S ₃	e
25mm 1"	0.98	0.87	2.76	1.65	0.98	0.59	1.42	2.68	1.54	1.71	0.24	0.12	0.39	4.33	0.43	0.75	0.29	0.43	0.22
32 1 1/4"	1.57	1.34	3.94	2.24	1.38	0.91	1.97	3.50	2.17	2.40	0.39	0.12	0.47	5.16	0.71	1.18	0.35	0.59	0.26
40 1 1/2"	1.57	1.34	3.94	2.24	1.38	0.91	1.97	3.50	2.17	2.40	0.39	0.12	0.47	5.16	0.71	1.18	0.35	0.59	0.26

NOTE.
The shape and appearance of assembly differ a little with nominal size compared to this drawing.



14	HANDLE	1	ABS	
13	STOP RING	3	PVDF	Used for Flanged End
12	O-RING (E)	1		
11	O-RING (D)	1	□EPDM	
10	O-RING (C)	3	□FKM	
9	O-RING (B)	3	□Others	
8	O-RING (A)	3		
7	SEAT	4	PTFE	
6	STEM	1	PP	
5	UNION NUT	3	PPG	
4	END CONNECTOR	3		
3	CARRIER	3		
2	BALL	1	PP	T Port Type
1	BODY	1		
No.	DESCRIPTION	QTY.	MATERIAL	REMARKS
ITEM	3-WAY BALL VALVE (TYPE 23H) ASS'Y TYPE A ANSI □FLANGED END, □SOCKET END, □THREADED END 1" (25mm) ~ 1 1/2" (40mm)			
DRAWN	M.Iwakiri	DATE	SCALE	
CHECKED	H.Kawano	AUG.24.2018		
APPROVED	K.Kaushou	DRAWING No.		
SPECIAL ORDER No.	H3-M1001AE			
ASAHI YUKIZAI CORPORATION				