

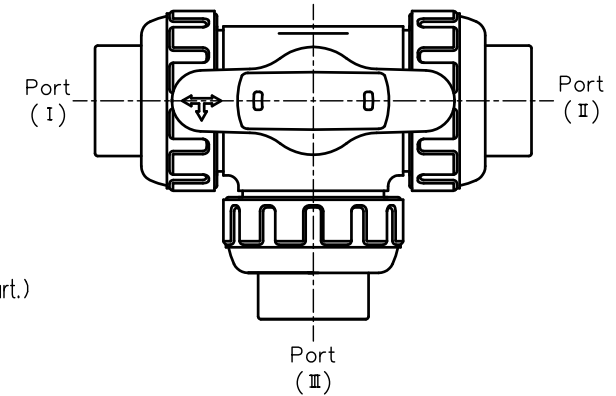
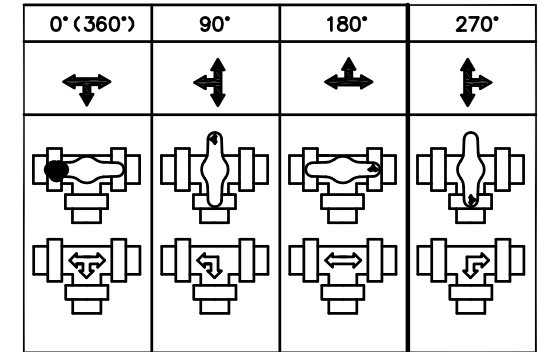
DIMENSIONS TABLE

NOMINAL SIZE	FLANGED END							SOCKET END					THREADED END				SPIGOT END				
	DIN PN10							d <sub>1</sub>	d <sub>1</sub> '	l	L <sub>1</sub>	L <sub>2</sub>	d <sub>2</sub>	l	L <sub>1</sub>	L <sub>2</sub>	d <sub>3</sub>	l	t	L <sub>1</sub>	L <sub>2</sub>
	D	C	n	h	t	L <sub>1</sub>	L <sub>2</sub>														
25mm 1"	115	85	4	14	14	189	94.5	31.5	31.3	18	152	76	Rp 1	20	159	79.5	32	22.5	3	183	91.5
32 1 1/4"	140	100	4	18	16	260	130	39.45	39.2	20.5	197	98.5	Rp1 1/4	22	208	104	-	-	-	-	-
40 1 1/2"	150	110	4	18	16	248	124	49.45	49.2	23.5	197	98.5	Rp1 1/2	25	208	104	50	32	4.6	242	121

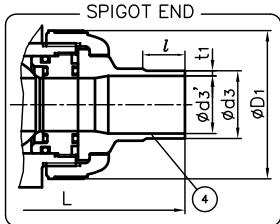
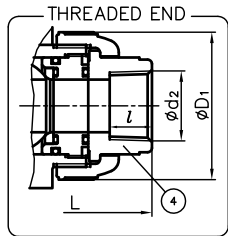
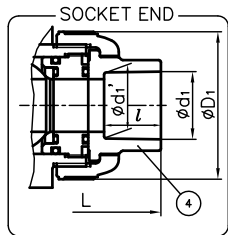
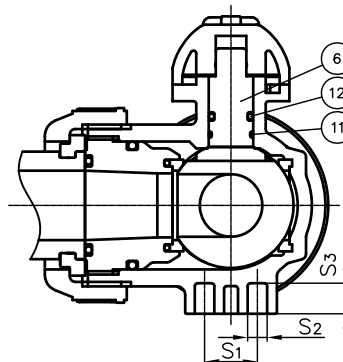
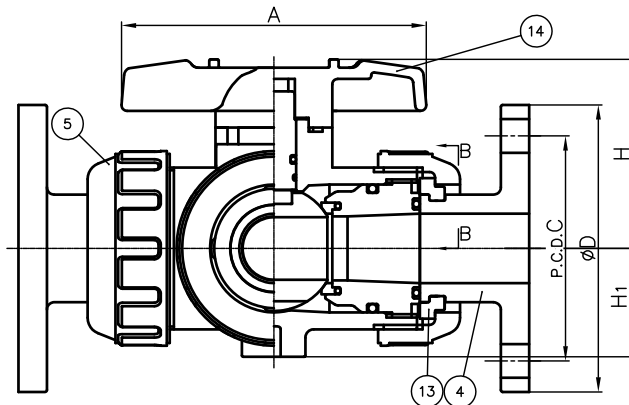
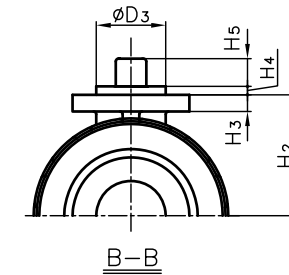
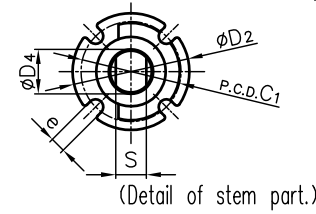
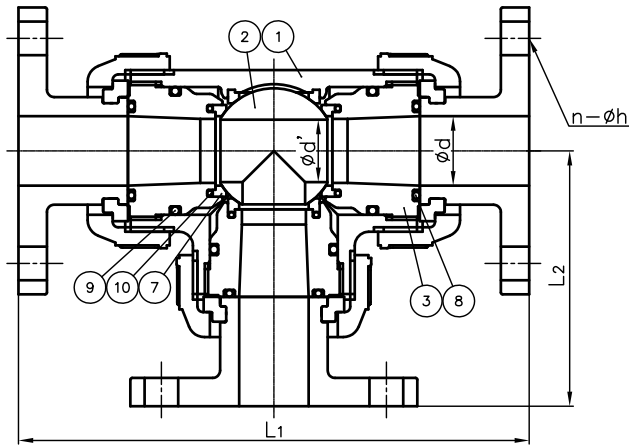
UNIT : mm

NOMINAL SIZE	d	d'	D <sub>1</sub>	D <sub>2</sub>	D <sub>3</sub>	D <sub>4</sub>	C <sub>1</sub>	H	H <sub>1</sub>	H <sub>2</sub>	H <sub>3</sub>	H <sub>4</sub>	H <sub>5</sub>	A	S	S <sub>1</sub>	S <sub>2</sub>	S <sub>3</sub>	e
25mm 1"	25	22	70	42	25	15	36	68	39	43.5	6	3	10	110	11	19	7.3	11	5.5
32 1 1/4"	40	34	100	57	35	23	50	89	55	61	10	3	12	131	18	30	9	15	6.5
40 1 1/2"	40	34	100	57	35	23	50	89	55	61	10	3	12	131	18	30	9	15	6.5

NOTE:  
The shape and appearance of assembly differ a little with nominal size compared to this drawing.



FLANGED END



No.	DESCRIPTION	QTY.	MATERIAL	REMARKS
14	HANDLE	1	ABS	
13	STOP RING	3	PVDF	Used for Flanged End
12	O-RING (E)	1		
11	O-RING (D)	1	□EPDM □FKM □others	
10	O-RING (C)	3		
9	O-RING (B)	3		
8	O-RING (A)	3		
7	SEAT	4	PTFE	
6	STEM	1	PP	
5	UNION NUT	3	PPG	
4	END CONNECTOR	3		
3	CARRIER	3	PP	
2	BALL	1		T Port Type
1	BODY	1		

ITEM	3-WAY BALL VALVE (TYPE 23H) ASS'Y TYPE A DIN : □FLANGED END, □SOCKET END, □THREADED END, □SPIGOT END 25mm (1") ~ 40mm (1 1/2")		
DRAWN	M.Iwakiri	DATE	SCALE
CHECKED	H.Kawano	JUL.31.2018	
APPROVED	K.Kaushou	DRAWING No.	
SPECIAL ORDER No.	H3-M1001DE		
<b>ASAHI YUKIZAI CORPORATION</b>			