

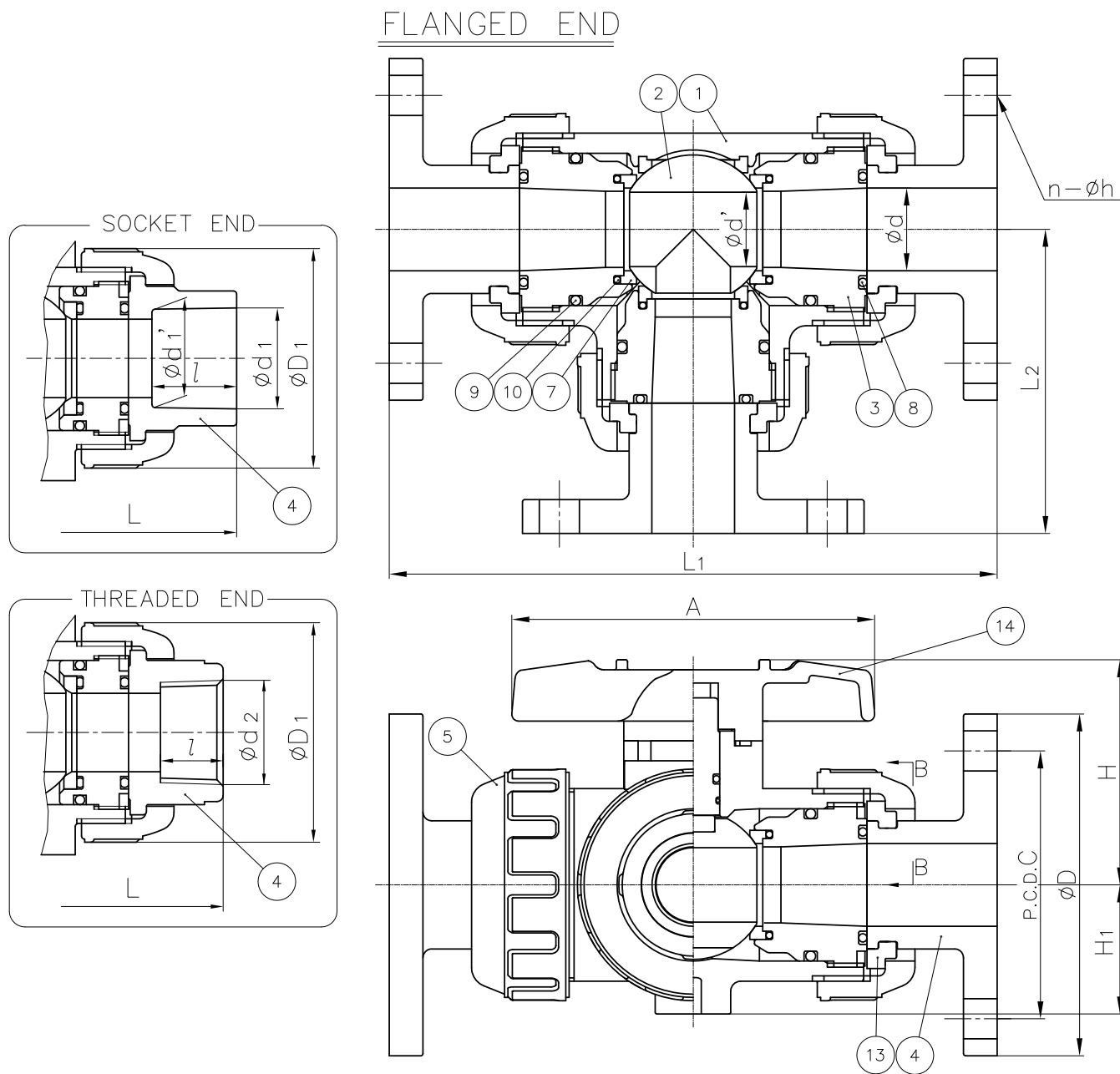
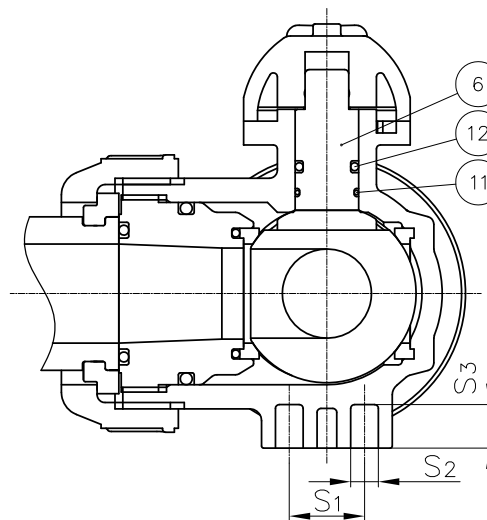
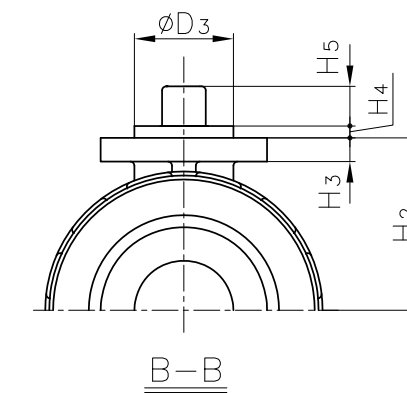
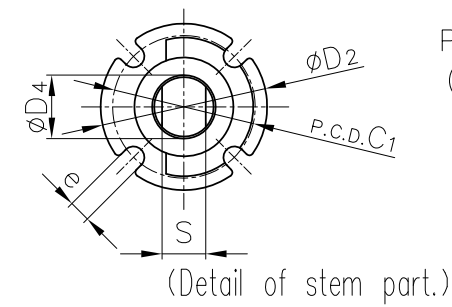
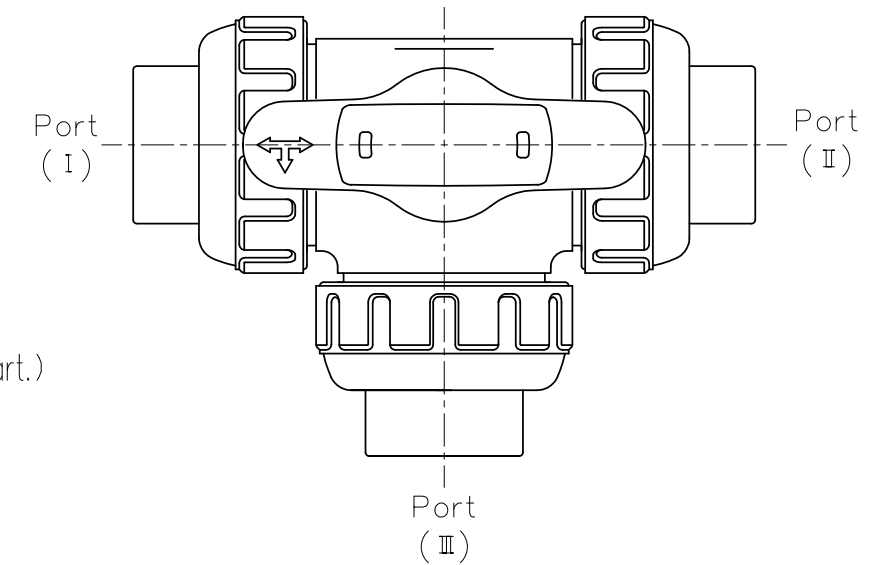
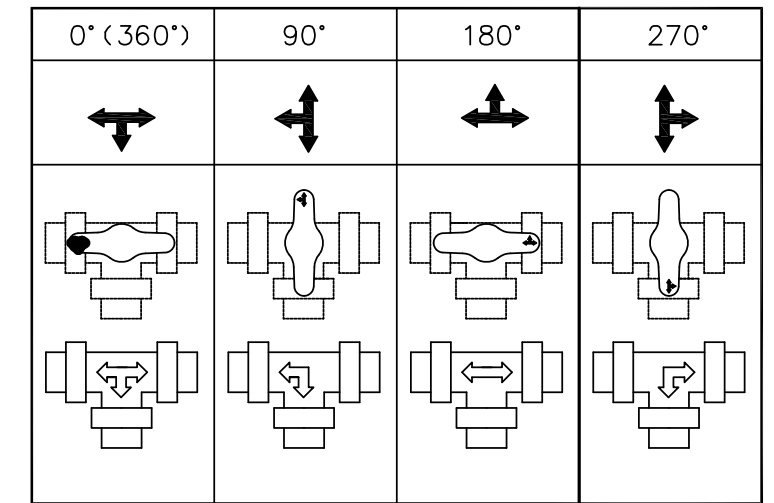
DIMENSIONS TABLE

NOMINAL SIZE	FLANGED END					SOCKET END					THREADED END						
	JIS 10K					t	L1	L2	d1	d1'	l	L1	L2	d2	l	L1	L2
	D	C	n	h													
25mm 1"	125	90	4	19	14	216	108	33.0	32.0	25	170	85	Rc 1	20	159	79.5	
32 1 1/4	135	100	4	19	16	260	130	-	-	-	-	-	Rc1 1/4	22	208	104	
40 1 1/2	140	105	4	19	16	260	130	47.0	46.0	28	219	109.5	Rc1 1/2	25	208	104	

UNIT : mm

NOMINAL SIZE	d	d'	D1	D2	D3	D4	C1	H	H1	H2	H3	H4	H5	A	S	S1	S2	S3	e
25mm 1"	25	22	70	42	25	15	36	68	39	43.5	6	3	10	110	11	19	7.3	11	5.5
32 1 1/4	40	34	100	57	35	23	50	89	55	61	10	3	12	131	18	30	9	15	6.5
40 1 1/2	40	34	100	57	35	23	50	89	55	61	10	3	12	131	18	30	9	15	6.5

NOTE.
The shape and appearance of assembly differ a little with nominal size compared to this drawing.



14	HANDLE	1	ABS	
13	STOP RING	3	PVDF	Used for Flanged End
12	O-RING (E)	1	□EPDM □FKM □others ()	
11	O-RING (D)	1		
10	O-RING (C)	3		
9	O-RING (B)	3		
8	O-RING (A)	3		
7	SEAT	4	PTFE	
6	STEM	1	PP	
5	UNION NUT	3	PPG	
4	END CONNECTOR	3	PP	
3	CARRIER	3		
2	BALL	1		
1	BODY	1		
No.	DESCRIPTION	QTY.	MATERIAL	REMARKS

ITEM	3-WAY BALL VALVE (TYPE 23H) ASS'Y TYPE A JIS: FLANGED END (□JIS 5K, □JIS 10K), □SOCKET END, □THREADED END 25mm (1") ~ 40mm (1 1/2")		
DRAWN	H.Matsushita	DATE	SCALE
CHECKED	K.Kaneko	JUN.25.2010	~
APPROVED	Y.Ozaki	DRAWING No. H3-M1001JE	
SPECIAL ORDER No.	ASAHI YUKIZAI CORPORATION		