

# DIMENSIONS TABLE

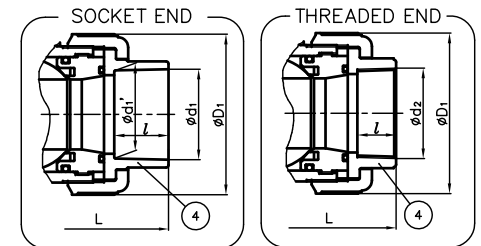
Nominal Size	d	d'	FLANGED END									SOCKET END (IPS)										THREADED END						
			ANSI Class 150						L			PVC, C-PVC					PP, PVDF					d <sub>2</sub>	l	L				
			D	C	n	h	PVC C-PVC	PP	PVDF	t	ASTM SCH40		ASTM SCH80			d <sub>1</sub>	l	L		PVC C-PVC	PP			PVDF				
			d <sub>1</sub>	d <sub>1</sub> '	l	L	d <sub>1</sub>	d <sub>1</sub> '	l	L	d <sub>1</sub>	l	PP	PVDF														
2½"	65mm	2.56	2.28	7.00	5.50	4	0.75	10.20	10.12	10.08	0.71	-	-	-	-	2.889	2.868	1.750	9.45	2.880	1.752	9.37	9.33	2½-8 NPT	1.26	8.46	8.39	8.35
3	80	3.07	2.70	7.50	6.00	4	0.75	12.05	12.01	11.89	0.71	-	-	-	-	3.516	3.492	1.875	11.14	3.480	1.874	11.10	10.98	3-8 NPT	1.38	10.43	10.39	10.28
4	100	3.94	3.54	9.00	7.50	8	0.75	14.72	14.72	14.53	0.71	4.518	4.491	2.000	13.86	-	-	-	-	4.480	2.252	14.37	14.13	4-8 NPT	1.77	14.25	14.25	14.06

Unit : inch

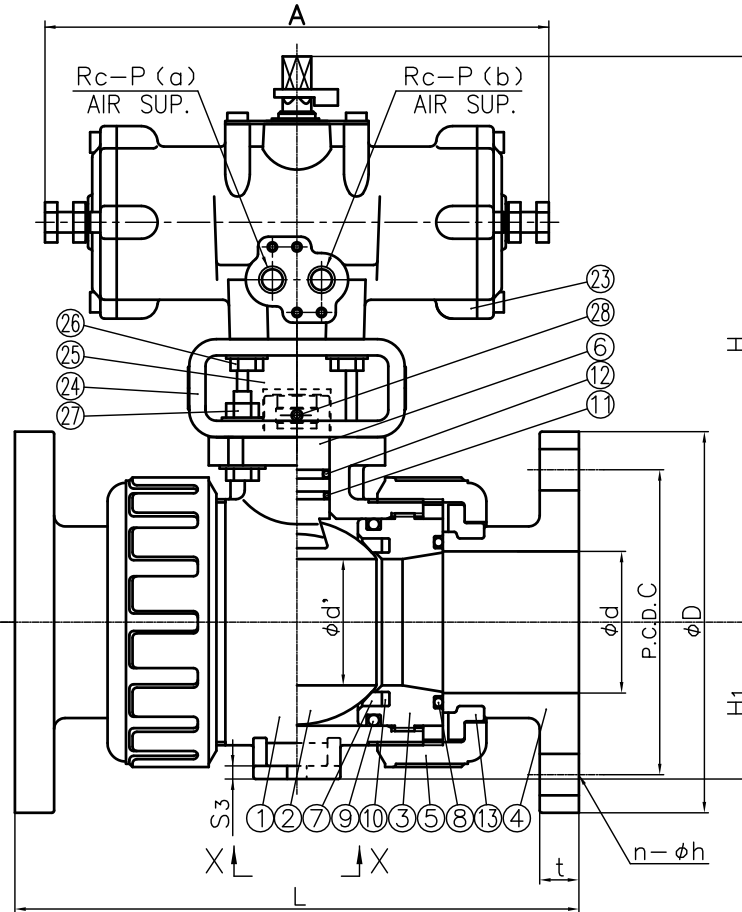
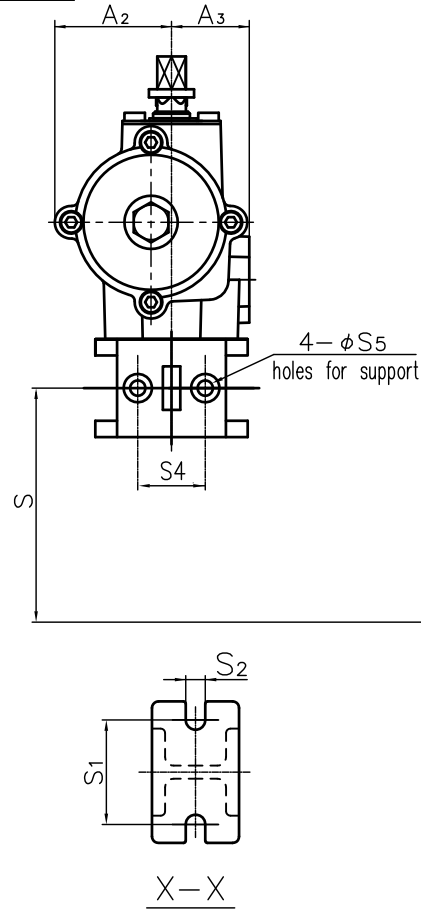
Nominal Size	D <sub>1</sub>	H	H <sub>1</sub>	A	A <sub>2</sub>	A <sub>3</sub>	S	S <sub>1</sub>	S <sub>2</sub>	S <sub>3</sub>	S <sub>4</sub>	S <sub>5</sub>	P	Actuator Type	
2½"	65mm	5.24	10.55	2.83	9.84	2.24	1.50	4.23	1.89	0.35	0.24	1.26	0.28	1/4	TA2A-063D
3	80	5.98	10.91	3.35	11.42	2.24	1.50	4.59	2.17	0.43	0.28	1.26	0.28	1/4	TA2A-063D
4	100	8.27	13.70	4.33	11.50	2.80	1.77	5.96	2.56	0.43	0.31	1.65	0.35	1/4	TA2A-080D

### NOTES

- Operating pressure 0.4MPa-0.7MPa G  
Valve open : Part (a) Exhaust Part (b) Supply  
Valve shut : Part (a) Supply Part (b) Exhaust
- The shape and appearance of assembly differ a little with nominal size compared to this drawing.



### FLANGED END



28	SCREW (B)	2	STAINLESS STEEL (SUS304)	
27	BOLT + NUT (B)	4sets	STAINLESS STEEL (SUS304)	
26	BOLT (A)	4	STAINLESS STEEL (SUS304)	
25	JOINT	1	COPPER ALLOY (C3604)	
24	STAND	1	PPG	
23	ACTUATOR	1	ALUMINUM ALLOYS DIE CASTINGS (ADC12) etc.	Meramin Baking Coat.
13	STOP RING	2	PVDF	Used for Flanged End
12	O-RING (E)	1	□EPDM	
11	O-RING (D)	1	□FKM	
10	CUSHION	2	□Others	
9	O-RING (B)	1	( )	
8	O-RING (A)	2		
7	SEAT	2	PTFE	
5	UNION NUT	2		
4	END CONNECTOR	2	□PVC □C-PVC	
3	CARRIER	1	□PP	
2	BALL	1	□PVDF	
1	BODY	1		
No.	DESCRIPTION	QTY.	MATERIAL	REMARKS

ITEM	BALL VALVE (TYPE21) PNEUMATIC MODEL TA TYPE ASS'Y DOUBLE ACTING ANSI : □FLANGED END, □SOCKET END, □THREADED END 2½" (65mm) ~ 4" (100mm)		
DRAWN	M.Iwakiri	DATE	SCALE
CHECKED	H.Kawano	JUN.18.2019	~
APPROVED	K.Koushou	DRAWING No.	
SPECIAL ORDER No.	IB-AA002AE		
<b>ASAHI YUKIZAI CORPORATION</b>			